

EUROMAG - Magnetic Non Contact Type: LPR

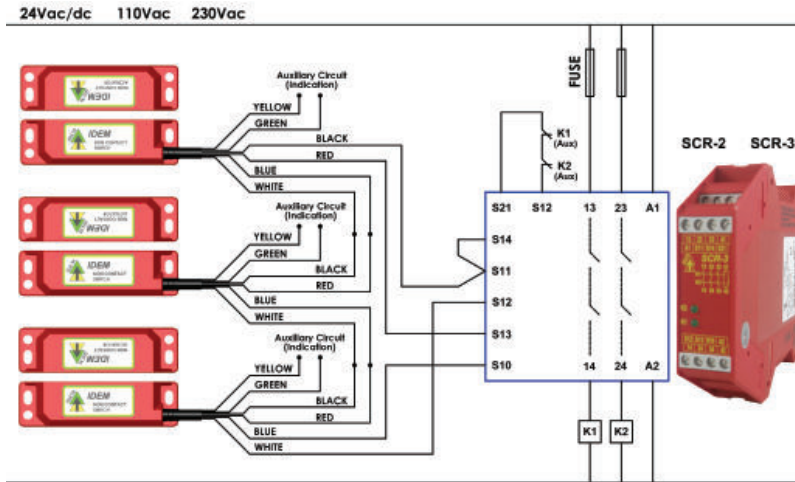
FEATURES:

Popular European fitting suitable for all industry applications
Wide 12mm sensing and high tolerance to misalignment
Narrow fitting to enable flush mounting
Long life high power switching capability up to 1A
Up to: PLe ISO13849-1
2NC 1NO circuits
Quick Connect versions available

Magnetic Actuation - Power Series
Switching Tolerance up to 12mm
Medium Duty versions 230Vac/24Vdc 1A
Will operate with most Safety Relays

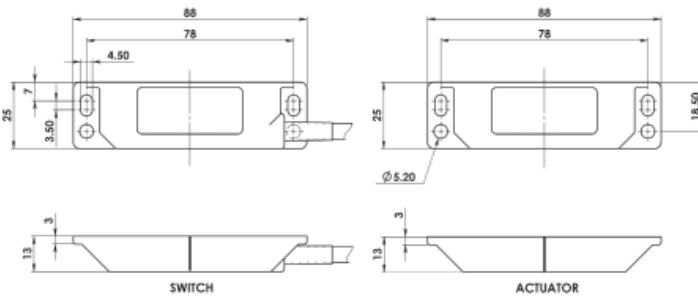


CONNECTION EXAMPLE: Magnetic Switches



0V
Three switches connected in series to an SCR-2 or SCR-3 to give Dual Channel guard monitoring with Automatic Start and Contactor Feedback check.
Optional auxiliary circuits provides for remote signalling from each switch.

DIMENSIONS:



Standards: ISO14119 EN60947-5-3
EN60204-1 ISO13849-1 EN62061 UL508

Safety Classification and Reliability Data:

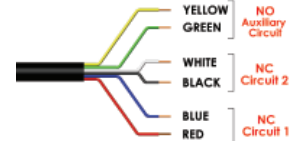
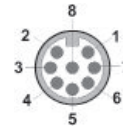
Mechanical Reliability B10d
ISO13849-1
Safety Data – Annual Usage

3.3 x 10⁶ operations at 100mA load
Up to PLe depending upon system architecture
8 cycles per hour/24 hours per day/365 days
MTTFd 470 years
Medium Duty Safety Channel 1 NC Voltage Free: 250Vac 1.0A Max. Rating
Safety Channel 2 NC Voltage Free: 250Vac 1.0A Max. Rating
Safety Channel 3 NO Voltage Free: 24Vdc 0.2A Max. Rating
Fuse Internal 1.0A (F) External 0.8A (F) (User)
Contact Release Time <2ms
Initial Contact Resistance <500 milliohm
Minimum Switched Current 10Vdc 1mA
Dielectric Withstand 250Vac
Insulation Resistance 100 Mohms
Recommended Setting Gap 5mm
Switching Distance Sao 8mm Close
(Target to Target) Sar 22mm Open
Tolerance to Misalignment 5mm in any direction from 5mm setting gap
Switching Frequency 1.0Hz maximum
Approach Speed 200mm/min to 1000mm/sec
Body Material UL approved polyester
Operating Temperature -25C +80C
Enclosure Protection IP69K (NEMA PW12) IP67 (NEMA 6)
Shock Resistance IEC68-2-27 11ms 30g
Vibration Resistance IEC68-2-6 10-55Hz 1mm
Cable Type PVC 6 core 6mm OD Conductors 0.25mm²
Mounting Bolts 2xM4 Tightening torque 1.0Nm
Mounting Position Any

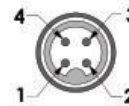
For all IDEM switches the normally closed (NC) circuits are closed when the guard is closed and the actuator is present.



Quick Connect M12 versions fitted with 250mm (10") cable



Quick Connect QC M12 8 Way Male Plug Pin view from Switch	Standard Lead Colour	Circuit (Actuator Present)
4	Yellow	NO
6	Green	NO
7	Black	NC2
1	White	NC2
2	Red	NC1
3	Blue	NC1



NC1 Pins 1 and 2
NC2 Pins 3 and 4
M12 4 Way Versions
Asi compatible Pin out
Pin view from switch

SALES NUMBER	TYPE	CABLE LENGTH	CIRCUITS
110009	Euromag LPR	2M	2NC
110010	Euromag LPR	5M	2NC
110011	Euromag LPR	10M	2NC
110012	Euromag LPR	QC-M12	2NC
110013	Euromag LPR	2M	2NC 1NO
110014	Euromag LPR	5M	2NC 1NO
110015	Euromag LPR	10M	2NC 1NO
110016	Euromag LPR	QC-M12	2NC 1NO
110021	Euromag LPR	2M	1NC 1NO
110022	Euromag LPR	5M	1NC 1NO
110023	Euromag LPR	10M	1NC 1NO
110024	Euromag LPR	QC-M12 4 Way	2NC



140101	Female QC Lead	M12 Female 5m. 8 way
140102	Female QC Lead	M12 Female 10m. 8 way

110300	Plastic 8mm Spacers (2) for use when mounting on Ferrous Materials	1 x Switch 1 x Actuator
--------	--	----------------------------