

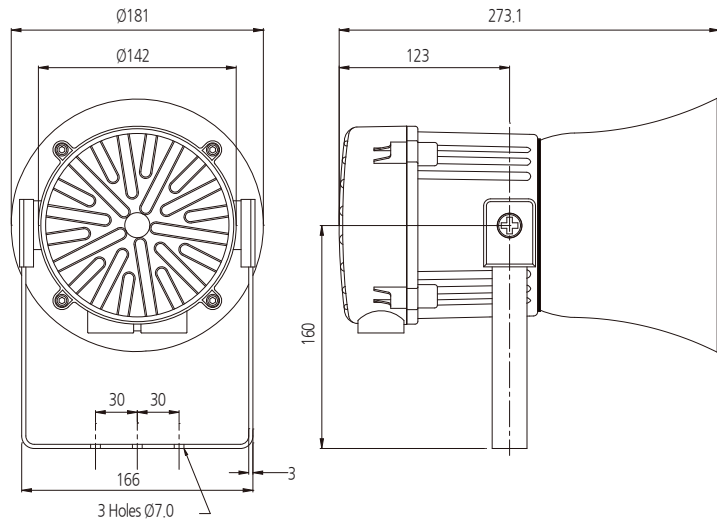
MA112 Non-Explosion Proof Type Sounder - Effective range 100M

- | Automatic synchronisation on multi-sounder system. | Continuously rated. | Large termination area. | Stainless steel fixings.
- | Ratchet adjustable stainless steel 'U' bracket for 360°positioning. | Duplicate cable terminations (in & out for daisy-chain installations).
- | Tropicalisation available on request. | Available with custom tone configurations and frequencies.
- | 'Programmable' version available: - 45 alarm tones - 4 remotely selectable stages - Any tone can be assigned to Any stage - User configurable continuous frequency tone |

IMAGE



DIMENSION (Unit : mm)



SPECIFICATION

※ SPL data +/-3dB(A). Measured at optimum voltage

MA112	
Maximum output	119dB(A) @ 1 metre
Nominal output	112dB(A) @ 1m +/- 3dB - Tone 2
No. of tones	45 (UK00A / PFEER compliant)
No. of stages	3
Volume control	Max. 112dB(A); Min. 100dB(A) - Tone 2
Effective range	125m @ 1KHz
Voltages DC	24V dc (10-30V dc); 48V dc (35-60V dc) [DC units can use 24V ac for single stage applications.]
Voltages AC	24V ac; 115V ac; 230V ac
Stage switching	Negative or positive Reverse polarity stage switching on DC units.
Ingress protection	IP66 & IP67 (Third party tested)
Housing material	High impact UL94 V0 & 5VA FR ABS
Colour	Grey (RAL7038)
Cable entries	2 x M20 supplied with 1 blanking plug
Terminals	0.5 to 4.0mm ² cables.
Operating temp	-25°C to +55°C
Storage temp	-40°C to +70°C
Relative humidity	90% at 20°C
Weight	DC: 2.50kg / AC:3.00kg

*SPL data +/-3dB(A). Measured at optimum voltage