

Item description/product images



Description

Material:

Sleeve 1.4305.  
Ball 1.4034.  
Spring 1.4310.

LONG-LOK thread lock in nylon.

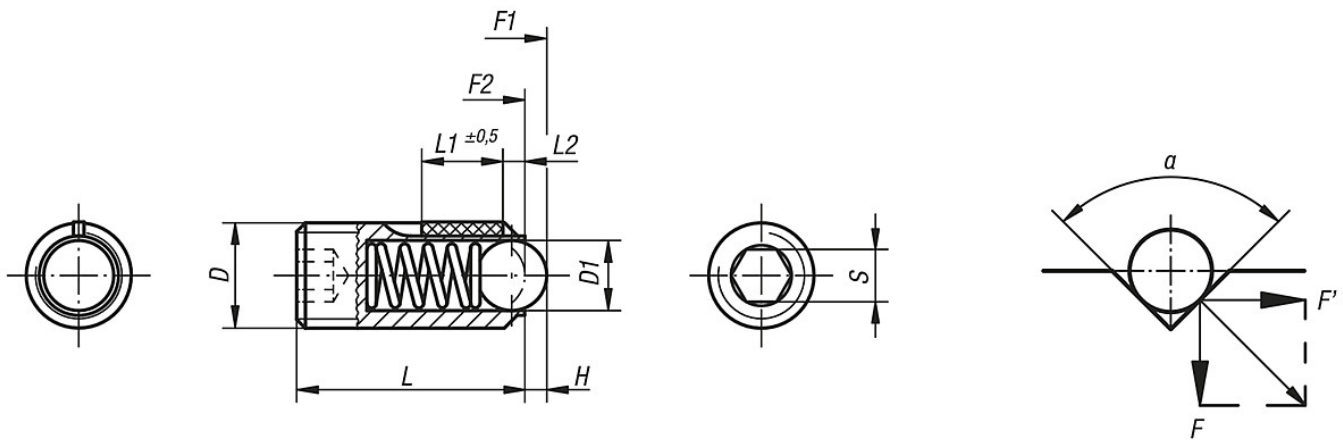
Version:

Bright. Ball hardened.



STAINLESS STEEL

Drawings



L2 = approx. 2x thread pitch

$\alpha = 60^\circ, F' = 1,732 \times F$   
 $\alpha = 90^\circ, F' = F$   
 $\alpha = 120^\circ, F' = 0,577 \times F$

Overview of items

Order No.	D	D1	L	L1	H	S	Spring force initial pressure F1 approx. N	Spring force final pressure F2 approx. N	Tightening torque approx. Nm	Loosening torque, after third unscrewing approx. Nm
03036-203	M3	1,5	9	4	0,4	1,5	5	7	0,10	0,07
03036-204	M4	2,5	10	5	0,8	2	12	22	0,18	0,12
03036-205	M5	3	14	6	0,9	2,5	19	30	0,12	0,08
03036-206	M6	3,5	15	7	1	3	28	40	0,44	0,21
03036-208	M8	5	18	8	1,5	4	47	73	1,10	0,38
03036-210	M10	6	23	9	2	5	66	100	1,30	0,60
03036-212	M12	8	26	10	2,5	6	66	120	2,00	1,30

# 03036 Spring plungers with hexagon socket and ball, strong spring force, LONG-LOK secured



## Overview of items

Order No.	D	D1	L	L1	H	S	Spring force initial pressure F1 approx. N	Spring force final pressure F2 approx. N	Tightening torque approx. Nm	Loosening torque, after third unscrewing approx. Nm
03036-216	M16	10	33	14	3,5	8	90	180	3,90	3,00