

# > PUMPS

## PRS/PRM SERIES

### COMPACT, SILENT AND HIGHLY RELIABLE PUMPS.

*Due to their small footprint they are perfect for fitting into machines with limited space.*

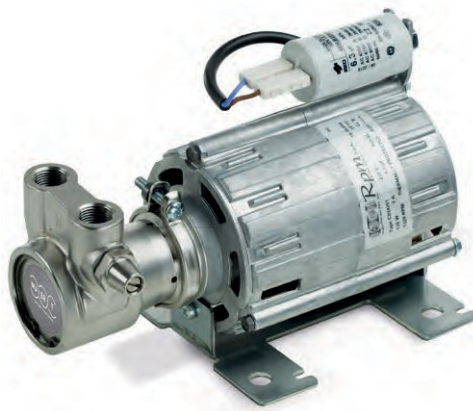
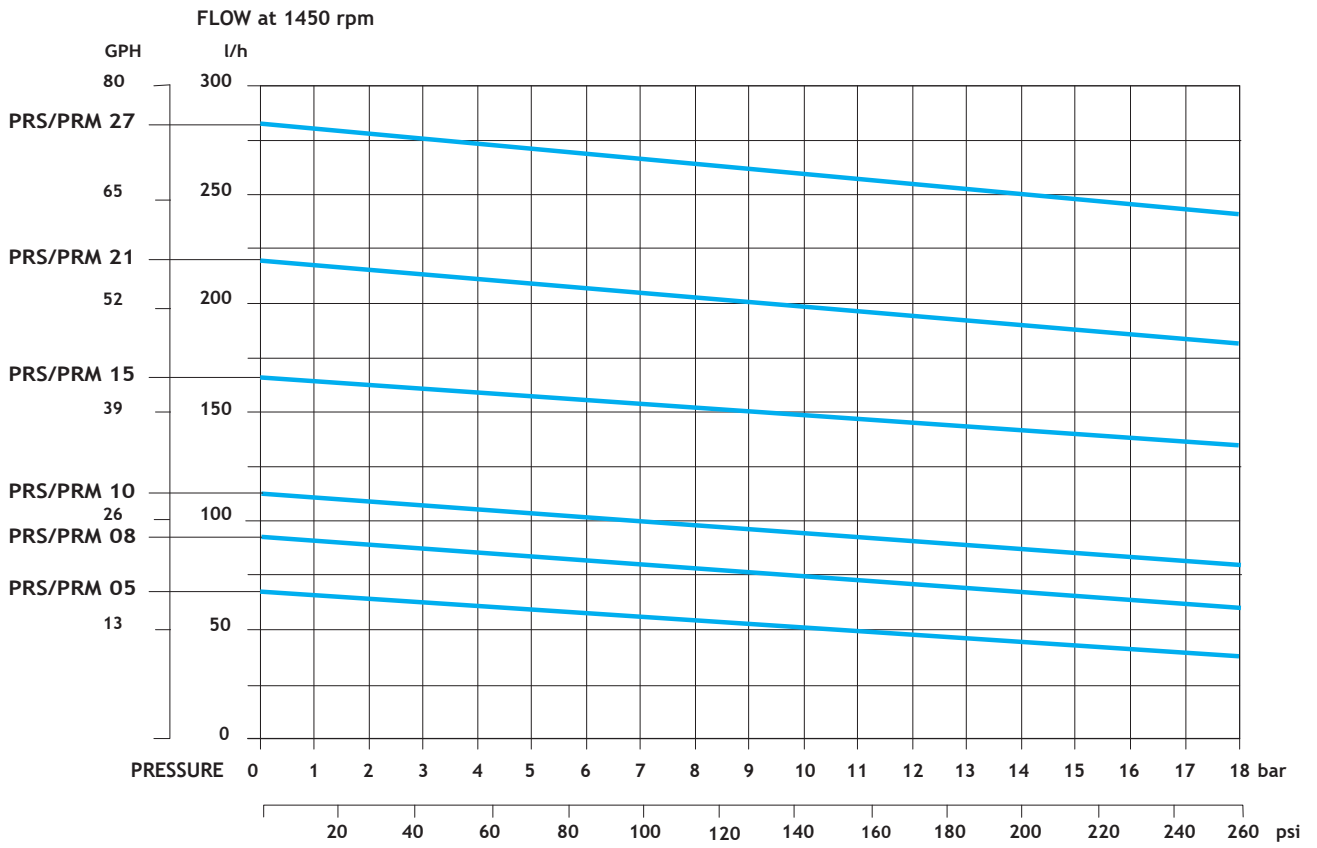
*Available in brass or stainless steel, with or without bypass valve, with various types of seals (NBR, EPDM or FKM) and connections to the motor. Flow rates from 50 to 270 l/h, with pressures up to 18 bar. Can be combined with standard IEC 63 and 71 motors or motors with special 48 YZ connection.*

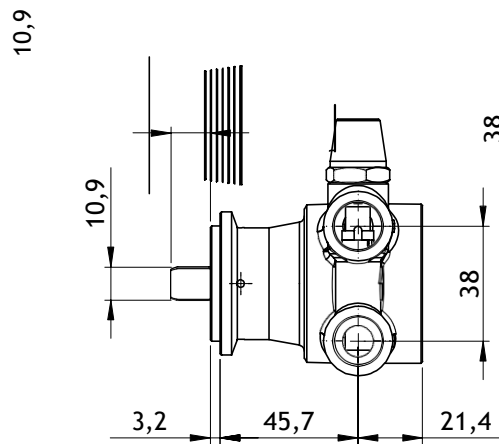
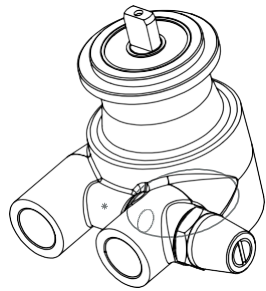
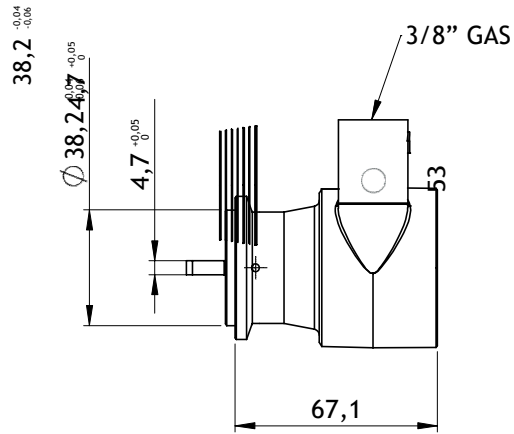
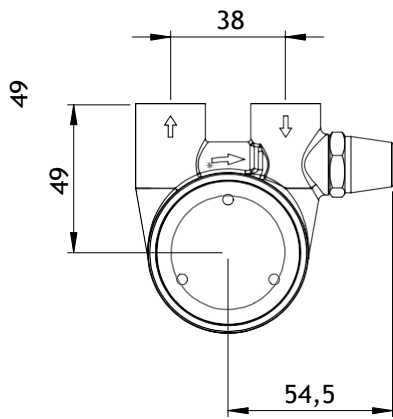


## APPLICAZIONI

- > Coffee machines
- > Water carbonators
- > Chemical mixtures
- > Reverse osmosis
- > Water filtration and micro-filtratio
- > Vapor generators

# >CHARACTERISTIC CURVE PRS/PRM SERIES





PUMP CODE

serie PRS/PRM	portata (L/h) a 1400 rpm				portata (GPH) a 1750 rpm			
	0 bar	5 bar	9 bar	14 bar	0 psi	75 psi	130 psi	200 psi
PRS/PRM 05	75	62	56	43	24	20	18	14
PRS/PRM 08	105	94	85	75	34	31	28	24
PRS/PRM 15	160	150	140	135	52	49	46	44
PRS/PRM 21	220	208	195	182	72	68	63	59
PRS/PRM 27	280	268	255	245	91	87	83	80

Indicative flow rates referring to :  
pump without bypass, motor with constant  
speed at 1400 rpm, water at 20°C (68°F)

Indicative flow rates referring to :  
pump without bypass, motor with constant  
speed at 1750 rpm, water at 20°C (68°F)