

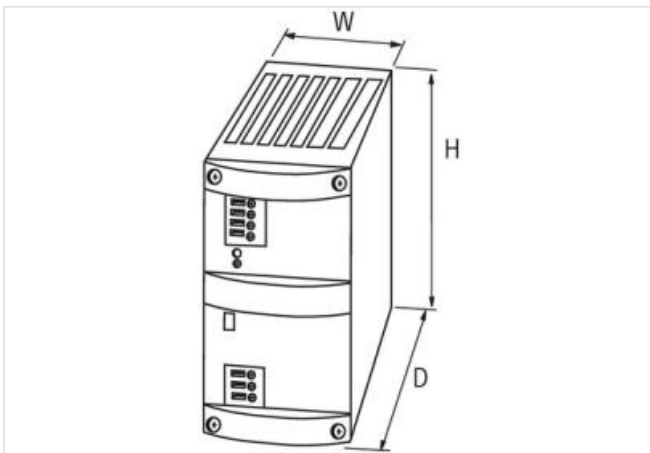
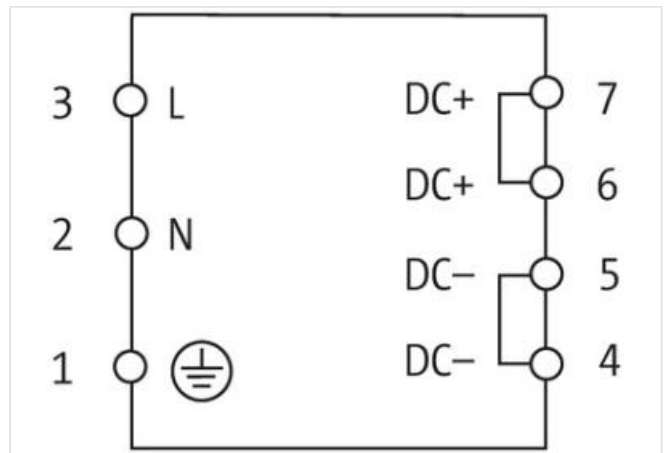
MCS POWER SUPPLY 1-PHASE,

IN: 185-265VAC OUT: 24-28V/10ADC

INPUT: 185...265 V AC
 OUTPUT: 24...28 V DC
 Current: 10 A

[Link to Product](#)

Illustration



Product may differ from Image



Commercial data

ECLASS-6.0	27049002
ECLASS-6.1	27049002
ECLASS-7.0	27049002
ECLASS-8.0	27049002
ECLASS-9.0	27040701
ECLASS-10.1	27040701

ECLASS-11.1	27040701
ECLASS-12.0	27040701
ETIM-5.0	EC002540
customs tariff number	85044083
GTIN	4048879080521
Packaging unit	1

Electrical data

Parallel connection	yes
Series connection	yes
Security level	SELV

Electrical data | Supply

Power frequency	50 ... 60 Hz
-----------------	--------------

Electrical data | Input

Input voltage AC	230 V
Input voltage AC min.	185 V
Input voltage AC max.	265 V
Current input AC	2,1 A
Inrush current max.	25 A
External back-up fuse per phase max.	10 A
Efficiency	90 %

Electrical data | Output

Selectable switch-off mode	front sided plug link (automatic re-start or definite shut-off)
Output voltage DC	24 V
Output voltage DC min.	24 V
Output voltage DC max.	28 V
Output voltage adjustable	yes
Output current	10 A
Output current (UL)	12 A
Ripple effective max.	20 mV
Spikes (s-s) max.	200 mV

Device protection | Electrical

Short-circuit protection output	yes
Overload protection output	yes

Mechanical data | Mounting data

Mounting method	geschnappt
Suitable for mounting type	Mounting rail TH35, (EN 60715)
Height	127 mm
Width	68 mm
Depth	160 mm

Environmental characteristics | Climatic

Operating temperature min.	0 °C
Operating temperature max.	60 °C
Storage temperature min.	-25 °C
Storage temperature max.	85 °C
Relative humidity min. (operation)	5 %
Relative humidity max. (operation)	95 % no condensation

Conformities, approvals, certificates

Product standard	IEC 61010-2-201
EMC	EN 55022 B
Low Voltage Directive	EN 61204-3

Connection type 2

Connection	Spring clamp terminals FK
Family construction form	terminal
Gender	female
Color contact carrier	green
No. of poles	3
PIN 1	PE
PIN 2	N
PIN 3	L
Connection	Spring clamp terminals FK
Family construction form	terminal
Gender	female
Color contact carrier	green
No. of poles	4
PIN 1	-
PIN 2	-
PIN 3	+
PIN 4	+