

### GENERAL DESCRIPTION / APPLICATIONS



Two way direct acting solenoid valve with spring return.

Suitable for cryogenic media (Liquid Nitrogen -192°C).

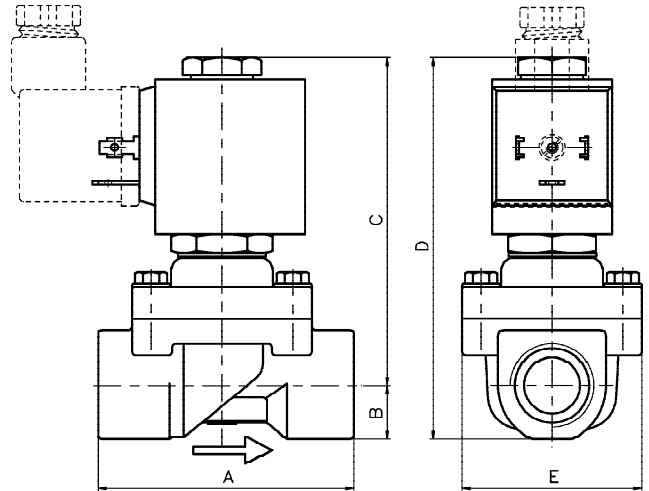
Stainless steel internal parts.

Stainless steel springs.

360° degrees orientable solenoid.

Mountable in any position.

### DIMENSIONS (in mm)



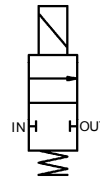
DIAMETRO FILETTATURA	DIMENSIONI DI INGOMBRO IN millimetri (mm)				
	A	B	C	D	E
3/8"	64	14	70	84	45
1/2"	64	14	70	84	45

### ELECTRICAL INFORMATION

Continuous duty glass-reinforced nylon moulded coil with electrical connection suitable for DIN-43650A plug (2 poles+ground) or "faston" wire terminal.

Coil Type :	B7
Insulation class:	F (155°C) - H (180°C) upon request.
Winding wire class:	H (180°C)
Protection class:	Waterproof IP-65 (EN60529 standards) when properly plug connected with DIN-43650A plug.
Duty:	Continuous (S.I.) 100% ED
Power consumption	Alternate Current 22VA (inrush 40VA)
Direct Current	27W
Voltage tolerance:	± 10%
Electrical Insulation:	>1000 MOhm
Dielectrical Strength:	>2000 V/1'
Standard voltages:	12 - 24 - 48 - 110 - 220 Vac~
50/60Hz	12 - 24 - 48 - 110 - 220 Vdc=
	other voltages available upon request.

### OPERATION



In: **N**  
 Out: **OUT**  
 Coil de-energized: **IN and OUT closed.**  
 Coil energized: **from IN to OUT.**

### SPECIFICATIONS AND AVAILABLE OPTIONS

MODEL	ORIFICE DIAMETER mm	PRESSURE IN BAR			Flow factor kv (liters/min.)	WEIGHT Kg.	
		NOMINAL MAX.	DIFFERENTIAL				
			MIN.	MAX. AC~			MAX. DC=
L 8 9 a 1 2 E <sub>T</sub>	12,7	25	0	10	10	35	0,7
L 8 9 a 1 2 F <sub>G</sub>	12,7	25	0	10	10	35	0,7

<b>a</b> Body material <b>T</b> Brass. <b>I</b> Stainless steel	<b>b</b> Port size <b>E</b> 3/8" GAS <b>T</b> 3/8" NPT <b>F</b> 1/2" GAS <b>G</b> 1/2" NPT	<b>c</b> Seals material <b>3</b> PTFE	<b>d</b> Protection class <b>P</b> IP 65  <i>when properly plug connected with DIN-43650A plug.</i>	
---	--	--	--	--