

IntroFlo

Gas Regulator

--

MODEL: IM-C

High-performance flanged gas pressure regulator with in-line serviceable top-entry cartridge design

**PRODUCT OVERVIEW**

IntroFlo's IM-C Series gas regulator range provides class-leading pressure control for gas distribution and transmission applications.

Each IM-C valve features an innovative cartridge insert and uses patented piston control system. The unique design employs a single piston instead of a diaphragm, increasing reliability and reducing maintenance costs. Regulators can be serviced in-line, reducing associated costs.

IntroFlo's IM-C gas regulators are redefining performance in energy engineering.

FEATURES AND BENEFITS

- Single moving part minimises maintenance.
- Extremely accurate pressure and flow control.
- No stem to minimise failure points.
- Piston controlled - no diaphragm.
- Robust and reliable.
- Top entry design for easy in-line service.

APPLICATIONS

Max. inlet pressure	103.4 bar/1500 psi
Outlet pressure range	Up to 102 bar/1480 psi ¹
Temperature range	-10°C to 60°C/-14°F to 140°F ²
Leakage	ANSI/FCI 70-3: CLASS VI
Lock-up class	SG5
Accuracy class	Down to AC1
Ports	1/4"NPT

For use with all clean, dry gases. Not for use as a safety device.

¹ Dependent on pilot valve. It is recommended that the IM-C Regulator be used with the IntroFlo range of pilot regulators.

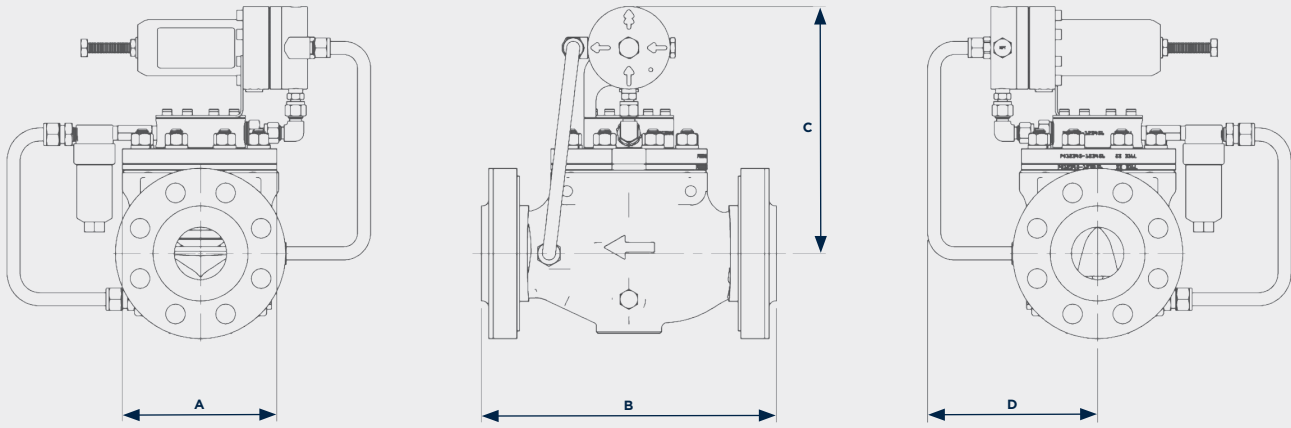
² Extended temperature range on request.

PERFORMANCE AND SIZING

IM-C SERIES	C _v	C _g	K _v	K _g
2"/DN050	56	1566	48	1647
3"/DN080	129	3580	111	3765
4"/DN100	169	4783	146	5031
6"/DN150	351	10180	303	10707

IM-C Series Regulators are available in DN050-DN150(2"-6") in classes 150-600 as above.

kentintrol
Design | Engineer | Service



KEY DIMENSIONS (mm/in)*

NOMINAL DIAMETER	CARTRIDGE DIAMETER (A)	LENGTH* (B)	HEIGHT (C)	WIDTH (D)	WEIGHT (kg/lb)
2"/DN050	152mm/4.2"	286mm/11.25"	240mm/9.4"	260mm/10.2"	15/33
3"/DN080	194mm/7.6"	337mm/13.25"	265mm/10.4"	290mm/11.4"	58/128
4"/DN100	220mm/8.7"	394mm/15.5"	295mm/11.6"	290mm/11.4"	99/218
6"/DN150	280mm/11"	508mm/20.0"	340mm/13.4"	310mm/12.2"	150/330

*Lengths and weights for ASME Class 600, Length (B) to ISA-75.08.01-2016.

SIMPLE INSTALLATION



CONSTRUCTION MATERIALS

COMPONENTS	MATERIALS
Actuator and cartridge	Stainless steel 316
Flanges and body	Cast carbon steel WCC
Seals and soft parts	FKM**
Pilot	Stainless steel 316L (in gas contact) Aluminium 6082-T6
Trim and fittings	Stainless steel 316L

**Alternative materials available on request.



IM-0-03-23-V2

Reimagining valve technology together:



Armytage Road
Brighouse
United Kingdom
HD6 1QF

E introflo@kentintrol.com
W www.kentintrol.com

DISCLAIMER
Details of products may vary. IntroFlo does not guarantee or warrant the availability of the models described in this Product Sheet or the accuracy or completeness of the details provided. The contents of this Product Sheet shall not form the basis of any contract or representation. Please refer to the relevant Product Data Sheet for technical details of our products.