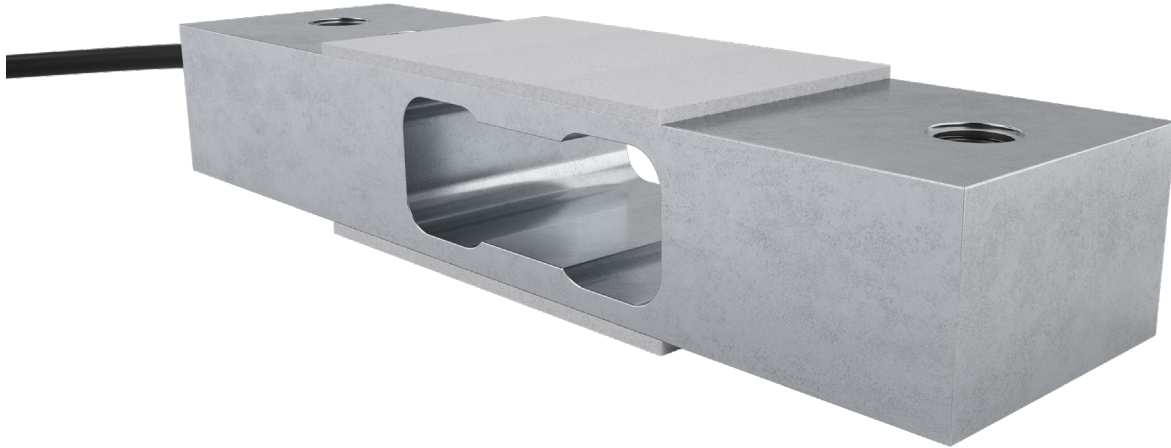

SB61C single point load cell



product description

The SB61C is an economical alternative to the Flintec SB8 beam load cell. The SB61C is designed to be a drop-in replacement for the SB8 for applications that do not require trade approved weighing performance. Constructed from aluminium and environmentally sealed with potting compound to ensure durability. Available in a single capacity of 50kg.

applications

Process Weighing systems, bagging machinery.

accessories

Compatible range of electronics

key features

Aluminium construction

Low profile design

Environmentally sealed by potting to IP67

Bolt-hole compatible with SB6, SB8 and ZLB

For platform sizes of up to 250 x 250mm

Rated output with tight tolerances for easy load cell replacement, no recalibration required

Capacity of 50kg



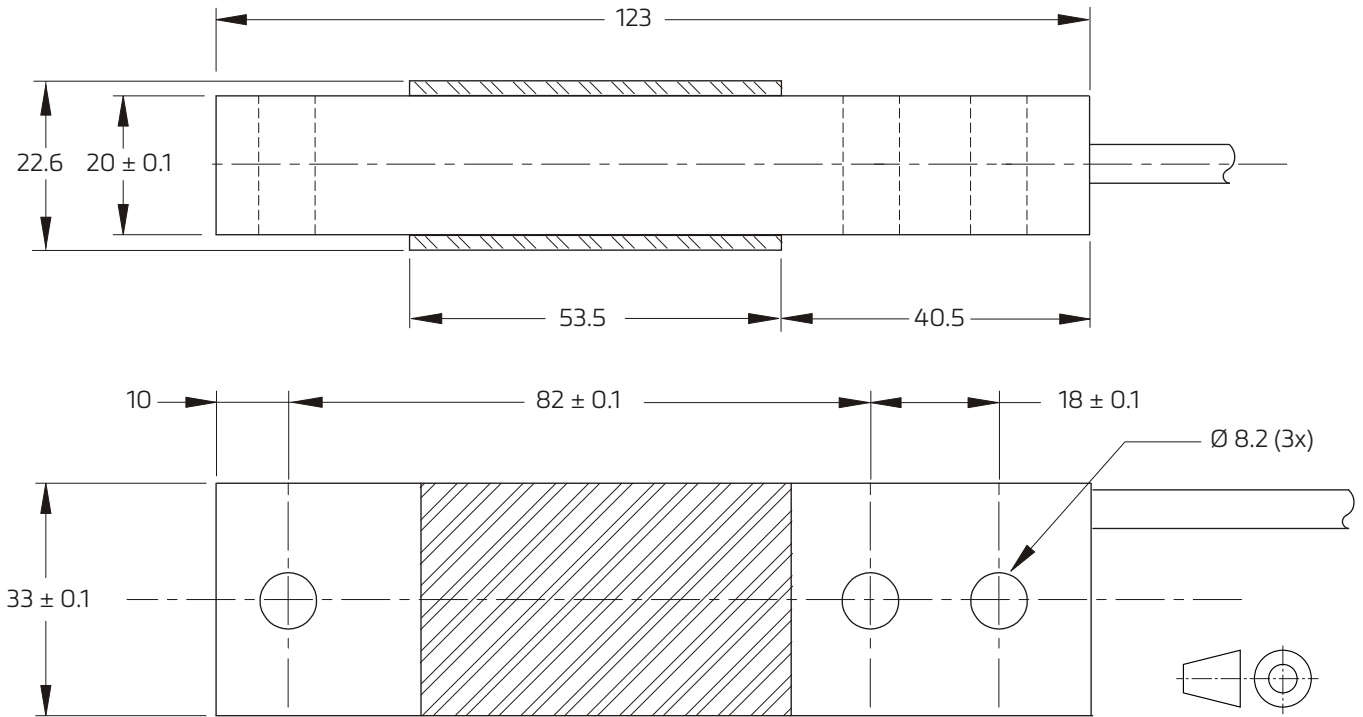
RoHS
compliant



specifications

Maximum capacity (E_{max})	kg	50
Accuracy class	$\%*E_{max}$	± 0.1
Maximum number of intervals (n_{LC})		1,000
Minimum load cell interval	g	50
Temperature effect on minimum dead load output (TC_0)	$\%*RO/10^{\circ}C$	± 0.0400
Temperature effect on sensitivity (TC_{RO})	$\%*RO/10^{\circ}C$	± 0.0200
Combined error	$\%*RO$	± 0.0400
Creep error (30 minutes) / DR	$\%*RO$	± 0.0600
Rated output (RO)	mV/V	$2 \pm 0,1\%$
Zero balance	$\%*RO$	± 1
Excitation voltage	V	5...15
Input resistance (R_{LC})	Ω	390 ± 10
Output resistance (R_{out})	Ω	330 ± 25
Insulation resistance (100 V DC)	M Ω	≥ 5000
Safe load limit (E_{lim})	$\%*E_{max}$	200
Ultimate load	$\%*E_{max}$	300
Safe side load	$\%*E_{max}$	100
Maximum platform size; loading acc. OIML R76	mm	250 x 250
Maximum off center distance at maximum capacity	mm	95
Maximum off center error	$\%*E_{max}$	$\pm 0,1$
Compensated temperature range	$^{\circ}C$	-10...+40
Operating temperature range	$^{\circ}C$	-20...+65
Load cell material		aluminium
Sealing		potted
Protection according EN 60 529		IP67
Packet weight	kg	0.4

product dimensions (mm)



Mounting bolts M8 8.8; torque 25 Nm. Torque value assumes oiled threads.

wiring

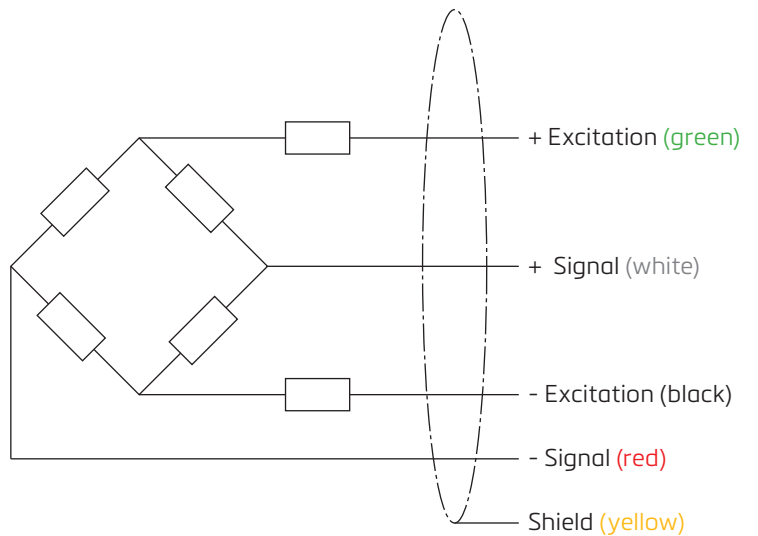
The load cell is provided with a shielded, 4 conductor cable (AWG 24).

Cable jacket polyurethane

Cable length: 3 m

Cable diameter: 5 mm

The shield is connected to the load cell body



Specifications and dimensions are subject to change without notice.