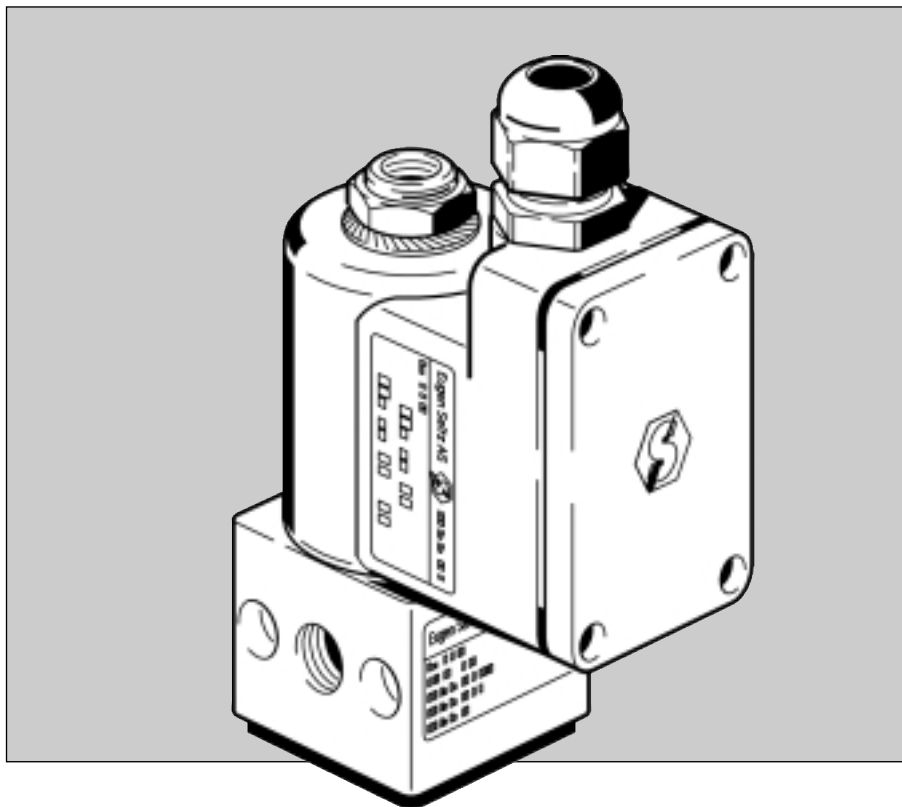


Direct acting solenoid valves for pneumatic actuators

- **3/2 way solenoid valves**
- **For single acting actuators**
- **Orifice size 3.5 mm**
- **G 1/4 and NPT 1/4 connections**
- **Pressure range 0 ... 8 bar**
- **For air and inert gases**



Valve group L-32

The valve group L-32 belongs to the series of direct-acting solenoid valves. Thanks to their robust construction, they operate extremely reliable, are weather-proof, insensitive to dirt, shockproof and are characterised by a very high switching reliability.

Application

Due to their high switching reliability, group L-32 solenoid valves are principally used for single acting quarter turn- and linear actuator without or with positioner.

Typical application fields are in chemical and petrochemical plants.

Standard models

Type

Direct acting solenoid valve featuring poppet valve technology

Media

- Dry or lubricated air
- Inert gases

Temperatures

- Medium: –25 ... +60 °C
- Ambient: –25 ... +60 °C

Please observe the allowed ambient temperature range for the solenoid!

Materials

- Housing: Aluminium ematal
- Seals: Nitrile rubber (NBR)
- Internal parts: stainless steel

Mounting position

Optional

Manual override

With or without depending on type or version

Further models

Further models are available on request, or to meet particular requirements:

- Housing

Stainless steel

- Seals

FPM, EPDM, PTFE

- Higher pressure ranges

- Solenoid coils with reduced power

- Valve types with manual reset

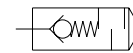
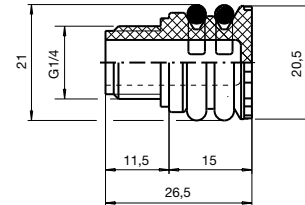
Push button with spring return

Exhaust protector IP65

Obtainable for the exhaust port 3. The non-return system prevents entering of polluted ambient air or rain, which results in a higher function security and

longer life time. The exhaust protector IP65 is specially suitable for outdoor applications.

Order no. 126.920.00



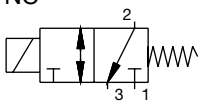
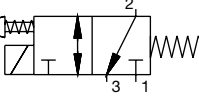
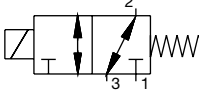
EMATAL – Corrosion protection

Eugen Seitz AG aluminium valves are "hard ematalised" as standard.

Ematal is a surface treatment in which a very hard and compact aluminium oxide layer with titanium oxide intercalation is applied to the valve. This produces a long-lasting protection against corrosion and mechanical stress.

For detailed information with an overview of the chemical resistance, please request the "Hard ematal surface treatment for solenoid valves" technical information.

Type overview

Function	Orifice Size [mm]	Kv-value [m³/h]	Pressure [bar]	Ports 1, 2 and 3	Valve type	Figure no.	Remarks
3/2 NC 	3.5	0.32	0 ... 8	G 1/4	L 3532 CGD oH	1	
				NPT 1/4	L 3532 CTD oH	1	
3/2 NC 	3.5	0.32	0 ... 8	G 1/4	L 3532 CGD DK	2	With manual override
				NPT 1/4	L 3532 CTD DK	2	
3/2 universal 	3.5	0.32	0 ... 7	G 1/4	L 3532 UGD oH	1	
				NPT 1/4	L 3532 UTD oH	1	



Dimensional drawings

Figure 1

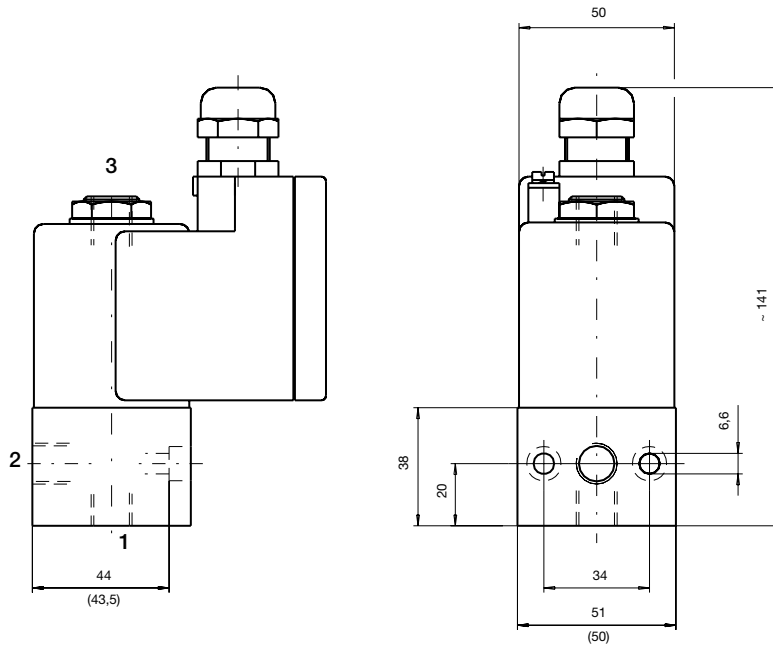
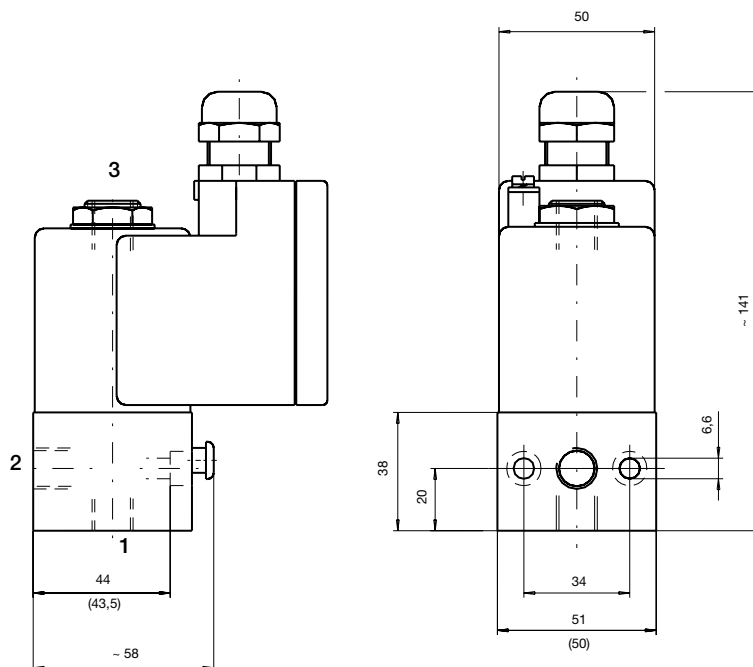


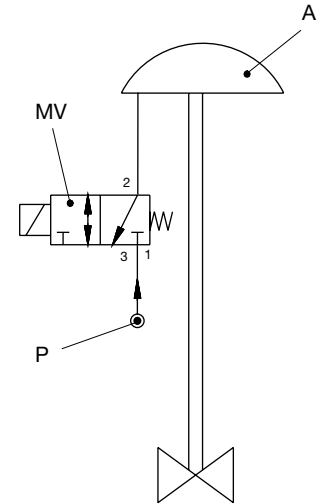
Figure 2



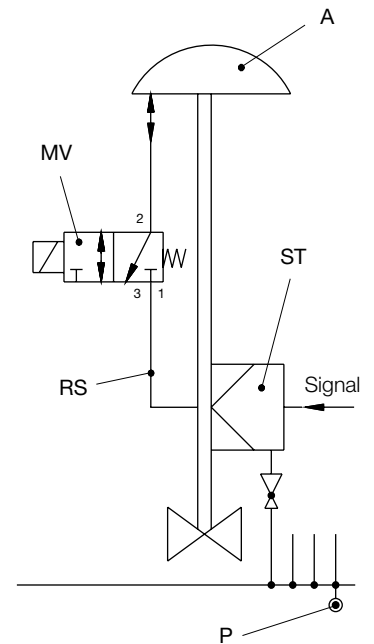
- Illustration with construction type 52/ 53 solenoid
- Solenoid can be rotated through 360°
- For connecting thread see type overview
- Dimensions in brackets () refer to stainless steel housing

Single acting actuators

On/off-actuator



Actuator with positioner



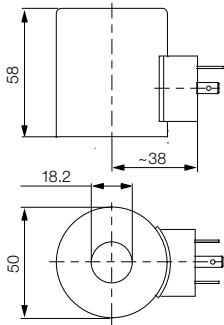
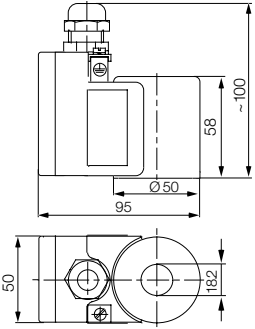
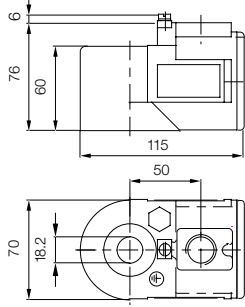





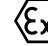


Solenoid valve ports

- 1 Inlet (control or positioner signal)
- 2 Consumer
- 3 Outlet (exhaust)

Legend

- A Actuator
- MV Solenoid valve
- P Air supply pressure
e.g. 6 bar (80 psig)
- RS Positioner signal circuit
e.g. 0.2 ... 6 bar (3 ... 80 psig)
- ST Positioner

Technical data of solenoids

Solenoids	With standard protection	For potentially explosive atmospheres				
Drawing						
Solenoid type	DC	2 A 37	2 A 52	2 A 53	2 A 65 / 2 E 65	2 A 67 / 2 E 67
	AC	2 C 37	2 C 52	-	2 C 65	2 C 67
	UC	-	2 F 52	2 F 53	2 F 65	2 F 67
Integrated fuse	no	no	yes	no		
Rated voltage (others on demand)	24 V, 110 V, 230 V	24 V, 60 V, 110 V, 230 V	24 V	24 V, 110 V, 125 V, 220 V, 230 V		
Operating time	100 %	100 %		100 %		
Ambient temperature	-20 ... +60 °C	-20 ... +40 °C		(-50) -20 ... +90 °C		
Ex-protection	-	Ex II 2 G EEx em II T4 Ex II 2 D IP 65 T 130 °C		Ex II 2 G EEx d IIC T6 ... T4		
Degree of protection	IP 65	IP 65		IP 65		
Rated power	DC 11 W AC 15 VA	DC 12 W AC 15 VA		DC 7 W AC 12 VA		
Connection	Plug-type connection according to DIN 43650 form A. Connector with Pg 11 gland. Available with/without socket.	Cable terminal box. Coil completely sealed. Cable inlet with M20 x 1.5 gland.		Cable terminal box. Cable inlet thread NPT 1/2	Cable terminal box. Cable inlet thread M20 x 1.5	
Certificate		  		    GOST		
Weights	~530 g	~580 g		~1700 g		

Detailed information about the entire range of solenoids can be found in separate leaflets.

How to order

