

Parts Manual

45-8186

PL30-12R04

07/08/2013



DOTCO[®]

12R04 Series
Ergo Pencil Grinder



12	R	04	XX	-	x	x
-----------	----------	-----------	-----------	----------	----------	----------

Product Classification
12 = Ergo Grinder

Throttle Type
R = Roll or Twist

Motor Size
04 = 0.1 hp

Collet Guard
00 = Short Collet Guard
10 = Long Collet Guard

Overhose Length
1 = 1 foot overhose
2 = 2 foot overhose
3 = 3 foot overhose

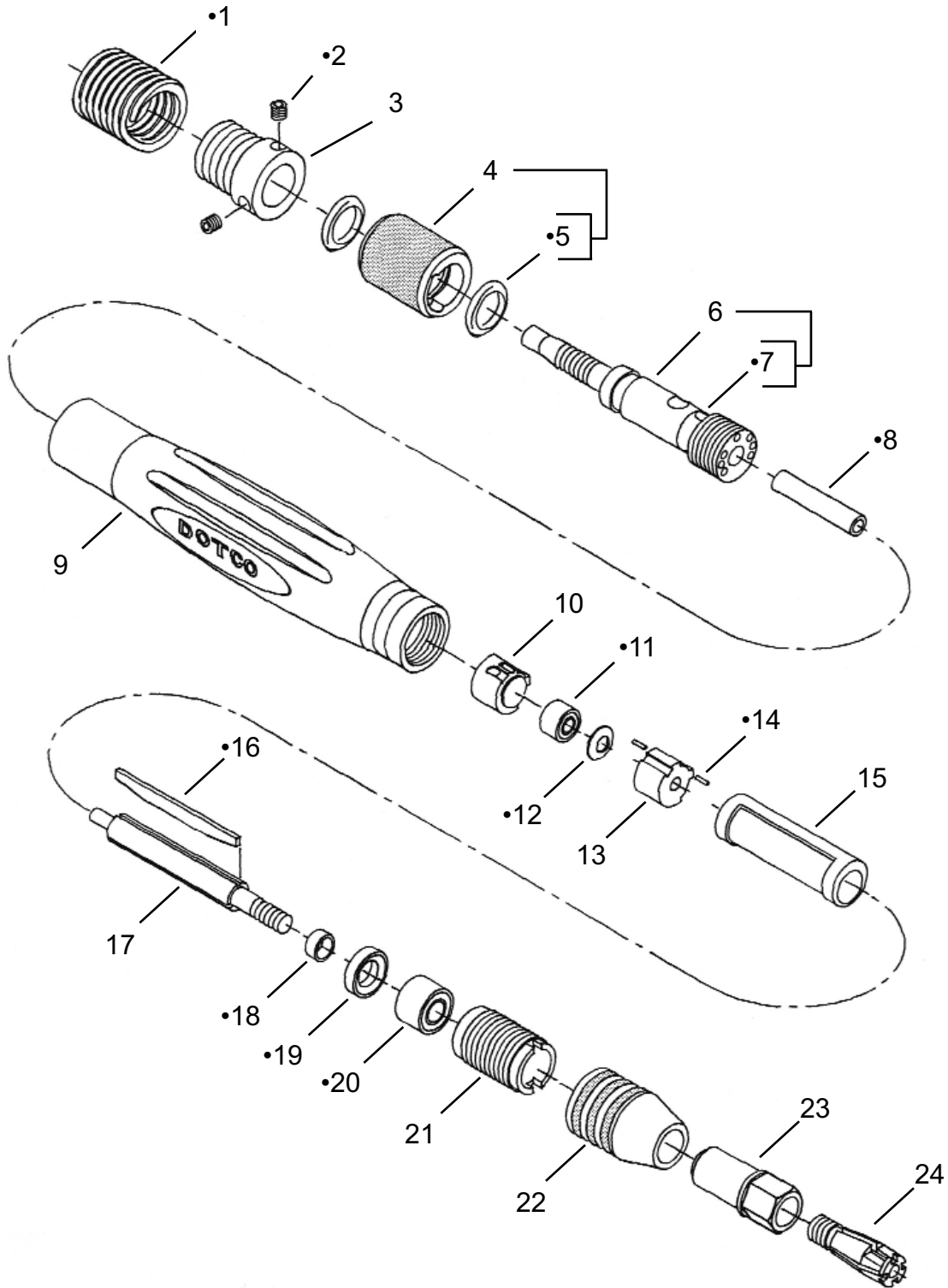
Collet Type
3 = 3mm Collet
6 = 3/32" Collet
8 = 1/8" Collet

For additional product information visit our website at:

<https://dotcotool.com/product-category/dotco-air-tools/dotco-grinders/dotco-precision-grinders/dotco-12-04-series-precision-grinders/>

DOTCO Pencil Grinder

“A”



DOTCO Pencil Grinder

PL30-12R04
December 27, 2004

Illustration "A" - Pencil Grinder

Index	Number	#	●	EN	DE	FR	ES	IT
				Description	Benennung	Designation	Description	Descrizione
1	---	1	K1	Overhose Spring	Druckfeder	Ressort	Resorte	Molla
2	---	2	K1	Set Screw	Stellschraube	Vis de pression	Tornillo fijador	Vite di arresto
3	01-0917	1		Exhaust Adapter	Zwischenstück	Adaptateur	Adaptador	Adattatore
4	01-0935	1		Roll Valve	Ventil	Soupape	Válvula	Valvola
5	---	2	K1	O-Ring	O-Ring	Joint torique	Anillo "O"	Anello ad O
6	01-0929	1		Valve Body	Ventilkörper	Corps de soupape	Cuerpo de válvula	Corpo della valvola
7	---	1	K1	Pin	Stift	Goupille cylindrique	Pasador	Spina
8	---	1	K1	Inlet Tube	Rohrmutter	Tube	Tubo	Tubo
9	01-6060	1		Housing	Gehäuse	Corps	Caja	Corpo
10	969	1		Manifold	Verteiler	distributeur	distribuidor	distributore
11	---	1	K2	Ball Bearing	Kugellager	Roulement à billes	Cojinete de bolas	Cuscinetto a sfera
12	---	1	K2	Spring Washer	Federnde Unterlegscheibe	Rondelle élastique	Arandela elástica	Guarnizione elastica
13	980	1		Rear Plate	Hintere Platte	Plaque arrière	Placa posterior	Piattello posteriore
14	---	2	K2	Pin	Stift	Goupille cylindrique	Pasador	Spina
15	989	1		Cylinder	Zylinder	Cylindre	Cilindro	Cilindro
16	---	3	K2	Rotor Blade	Rotorblatt	Palette	Alabe del rotor	Paletta del rotore
17	982	1		Rotor	Rotor	Rotor	El rotor	Il rotore
18	---	1	K2	Spacer	Distanzstück	Entretoise	Espaciador	Distanziale
19	---	1	K2	Spacer	Distanzstück	Entretoise	Espaciador	Distanziale
20	---	1	K2	Ball Bearing	Kugellager	Roulement à billes	Cojinete de bolas	Cuscinetto a sfera
21	967	1		Lock Ring	Verschlußring	Bague de verrouillage	Anillo de cierre	Anello di bloccaggio
22	Table "A1"	1		Collet Guard	Schutzvorrichtung	Protection	Guarda	Protezione
23	976	1		Collet Chuck	Futtergehäuse	Corps de douille de serrage	Cuerpo de la boquilla	Corpo bussola di chiusura
24	Table "A2"	1		Collet	Futter	Douille de serrage	Boquilla	Bussola di chiusura
Parts Not Shown; Nicht dargestellt; Non représenté; No representado; Non rappresentato								
--	45-6003	1		Overhose (1 foot)	Schlauchabdeckung (0,3 M)	Couverture de tuyau (0,3 M)	Cubierta de la manguera (0,3 M)	Copertura del tubo flessibile (0,3 M)
--	45-6002	1		Overhose (2 foot)	Schlauchabdeckung (0,6 M)	Couverture de tuyau (0,6 M)	Cubierta de la manguera (0,6 M)	Copertura del tubo flessibile (0,6 M)
--	45-6001	1		Overhose (4 foot)	Schlauchabdeckung (1,2 M)	Couverture de tuyau (1,2 M)	Cubierta de la manguera (1,2 M)	Copertura del tubo flessibile (1,2 M)
--	45-0948	1		Air Hose (5 foot)	Luftschlauch (1,5 M)	Manche à air (1,5 M)	Manguera de aire (1,5 M)	Tube aria (1,5 M)
--	14-0803	1		Wrench (3/16")	Schraubenschlüssel	Clé plate	La llave	La chiave
--	14-0822	1		Wrench (11/32")	Schraubenschlüssel	Clé plate	La llave	La chiave

(#) Quantity / Stückzahl / Quantité / Cantidad / Quantità

● Included in one of the following parts kits:

K1 = 04-0033 Air Inlet Kit

K2 = 04-0020 Motor Kit

Table "A1"

Index #	Description	Qty.	12R0400	Qty.	12R0410
22	Collet Guard	1	917	1	916

Table "A2"

Index #	Description	Termination	Qty.	12R0400	Qty.	12R0410
24	3mm Collet	-13	1	148	1	148
	3mm Collet	-23	1	148	1	148
	3mm Collet	-43	1	148	1	148
	3/32" Collet	-16	1	102	1	102
	3/32" Collet	-26	1	102	1	102
	3/32" Collet	-46	1	102	1	102
	1/8" Collet	-18	1	100	1	100
	1/8" Collet	-28	1	100	1	100
	1/8" Collet	-48	1	100	1	100

Sales & Service Centers

Note: All locations may not service all products. Please contact the nearest Sales & Service Center for the appropriate facility to handle your service requirements.

Detroit, Michigan

**Apex Tool Group
Sales & Service Center**
2630 Superior Court
Auburn Hills, MI 48326
Tel: (248) 393-5640
Fax: (248) 391-6295

Houston, Texas

**Apex Tool Group
Sales & Service Center**
6550 West Sam Houston
Parkway North, Suite 200
Houston, TX 77041
Tel: (713) 849-2364
Fax: (713) 849-2047

Lexington, South Carolina

Apex Tool Group
670 Industrial Drive
Lexington, SC 29072
Tel: (800) 845-5629
Tel: (803) 951-7544
Fax: (803) 358-7681

Los Angeles, California

**Apex Tool Group
Sales & Service Center**
6881 Stanton Avenue
Unit B
Buena Park, CA 90621
Tel: (714) 994-1491
Fax: (714) 994-9576

Seattle, Washington

**Apex Tool Group
Sales & Service Center**
2865 152nd Avenue N.E.
Redmond, WA 98052
Tel: (425) 497-0476
Fax: (425) 497-0496

York, Pennsylvania

**Apex Tool Group
Sales & Service Center**
3990 East Market Street
York, PA 17402
Tel: (717) 755-2933
Fax: (717) 757-5063

Brazil

**Apex Tool Group
Sales & Service Center**
Av. Liberdade, 4055
Zona Industrial - Iporanga
18087-170 Sorocaba
SP Brazil
Tel: +55 15 2383929
Fax: +55 15 2383260

Canada

**Apex Tool Group
Sales & Service Center**
7631 Bath Road
Mississauga, Ont. L4T
3T1
Canada
Tel: (866) 691-6212
Tel: (905) 673-4400

China

Cooper (China) Co., Ltd.
an Apex Tool Group, LLC
company
955 Sheng Li Road,
Heqing Pudong, Shanghai
China 201201
Tel: +86-21-28994176
Fax: +86-21-51118446

England

**Apex Tool Group
GmbH & Co. OHG**
C/O Spline Gauges
Piccadilly, Tamworth
Staffordshire B78 2ER
United Kingdom
Tel: +44 1827 8741 28
Fax: +44 1827 8741 28

France

Apex Tool Group S.N.C.
25 rue Maurice Chevalier
B.P. 28
77831 Ozoir-La-Ferrière
Cedex, France
Tel: +33 1 64 43 22 00
Fax: +33 1 64 43 17 17

Germany

**Apex Tool Group
GmbH & Co. OHG**
Industriestraße 1
73463 Westhausen
Germany
Tel: +49 (0) 73 63 81 0
Fax: +49 (0) 73 63 81 222

Hungary

**Apex Tool Group
Hungaria Kft**
Platánfa u.2
9027 Győr
Hungary
Tel: +36 96 66 1383
Fax: +36 96 66 1135

India

**Apex Power Tools India
Private Limited**
Gala No. 1, Plot No. 5
S. No. 234, 235 & 245
Indialand Global
Industrial Park
Taluka-Mulsi, Phase I
Hinjawadi, Pune 411057
Maharashtra, India

Mexico

**Apex Tool Group México
S. de R.L. de C.V.**
Vialidad El Pueblito #103
Parque Industrial Querétaro
Querétaro, QRO 76220
Mexico
Tel: +52 (442) 211-3800
Fax: +52 (442) 103-0443

Apex Tool Group, LLC
1000 Lufkin Road
Apex, NC 27539
Phone: 919-387-0099
Fax: 919-387-2614
www.apextoolgroup.com

DOTCO®