



Electrical Data		
Nominal resistance	kOhm	1 / 5 / 10
Resistance tolerance	%	±20
Independent linearity	% of meas. range	±1
Electrical angle	°	340
Max. repeatability	°	0.3
Max. hysteresis	°	0.6
Temperature coefficient of the voltage divider	ppm/K	5
Recommended wiper current	µA	max. 1
Max. wiper current in case of malfunction	mA	10
Max. power rating P (@ 40°C)	W	0.3
Min. life (electrical)	movements	4 Mio.

Mechanical Data		
Mechanical range	° (continuous)	360
Min. life (mechanical)	movements	4 Mio.
Operating temperature	°C	-25 ... +75
Storage temperature	°C	-40 ... +105
Protection class		IP50

Standards		
Insulating resistance (500 VDC, 1bar, 2s)	GOhm	10
Dielectric strength (VAC, 50Hz, 1min, 1bar)	kV	1
Vibration (Amax = 0.75mm, f = 30 ... 2000 Hz)	g	10
Shock (half sine pulse, 7 ms)	g	50

WAL305

Applications

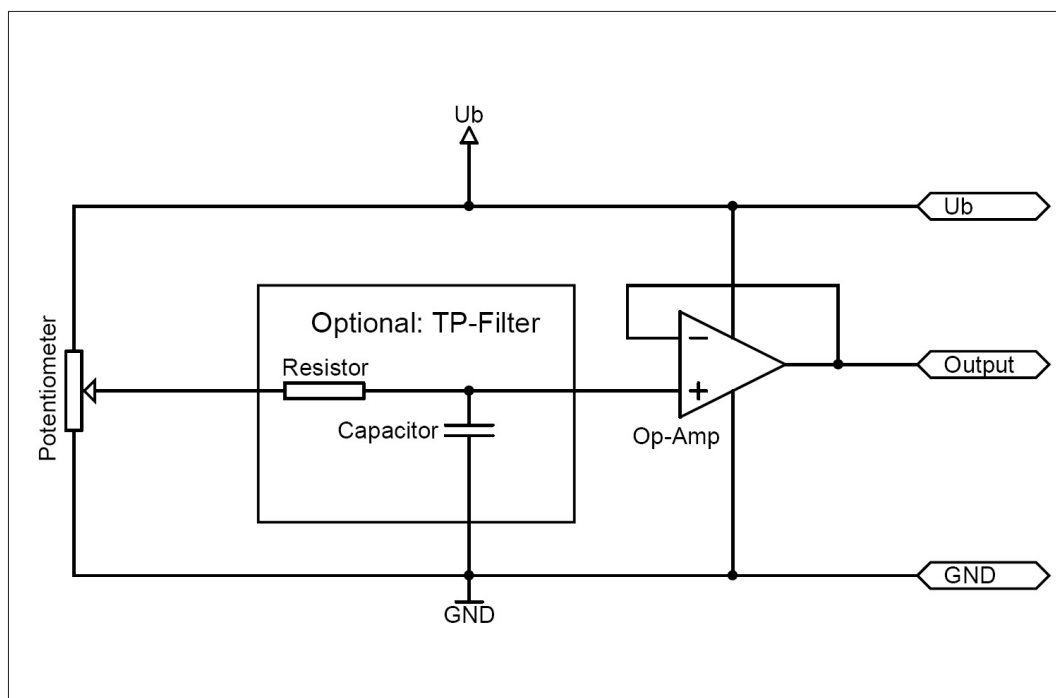
- Convertible roof
- Automatic tailgate of cars

Features

- Hollow shaft
- Cost-effective
- 4 Mio. movements
- Very good resolution better 0,3°

Options

- Other nominal resistance
- Linearity ±0.5%
- Electrical angles between 30° and 355°
- Customer specific cable / wires



Ideal potentiometer wiring

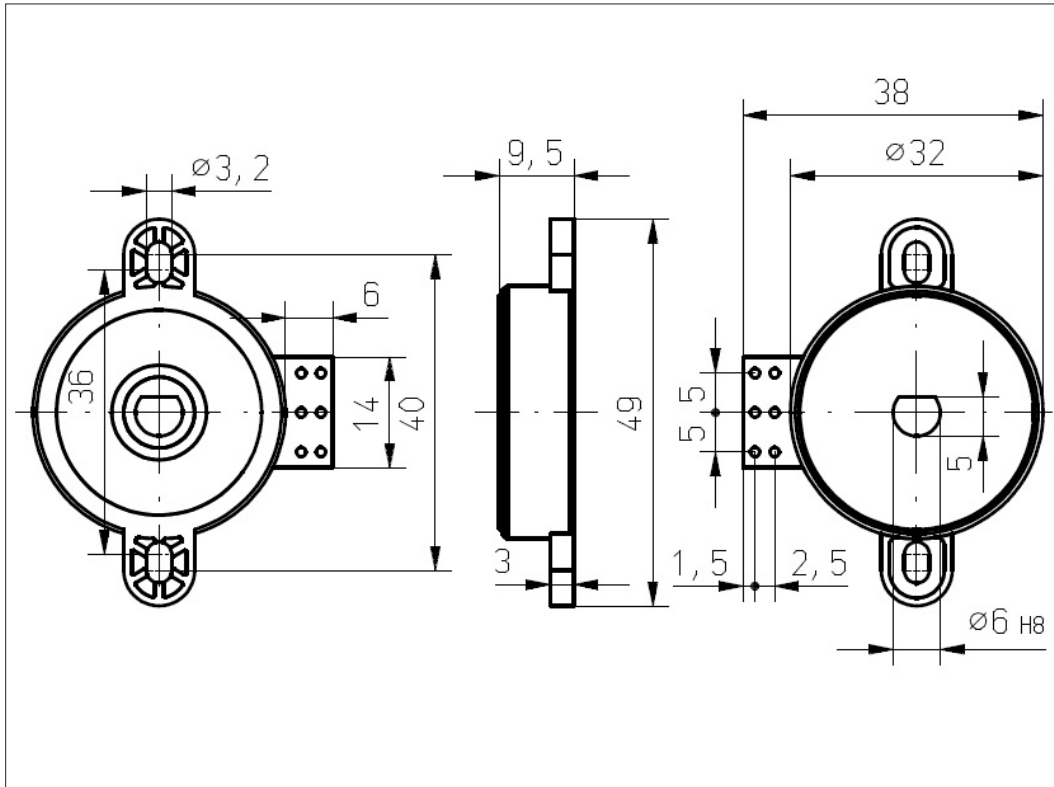
Our potentiometers should be ideally used as an unloaded voltage divider.

If the potentiometer is loaded, nonlinearities arise due to the load resistance and the contact resistance.

Errors and omissions excepted. Subject to change without notice. State: 15.06.05

Contelec AG
 Portstrasse 38
 CH-2503 Biel/Bienne
 Phone +41 (0)32 3665600
 Telefax +41 (0)32 3665604
 sales@contelec.ch

CONTELEC
 A company of the Siedle-Group



WAL305

Accessories (incl.)

- None

Errors and omissions excepted. Subject to change without notice. State: 15.06.05

Contelec AG
 Portstrasse 38
 CH-2503 Biel/Bienne
 Phone +41 (0)32 3665600
 Telefax +41 (0)32 3665604
 sales@contelec.ch

CONTELEC
 A company of the Siedle-Group