

Electronic sounder A105

Comax
Signaltechnik



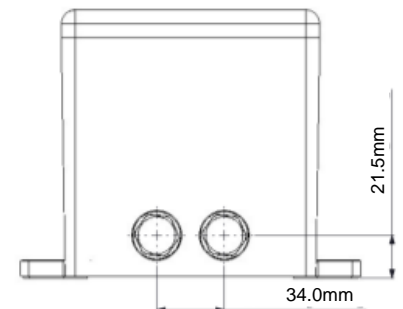
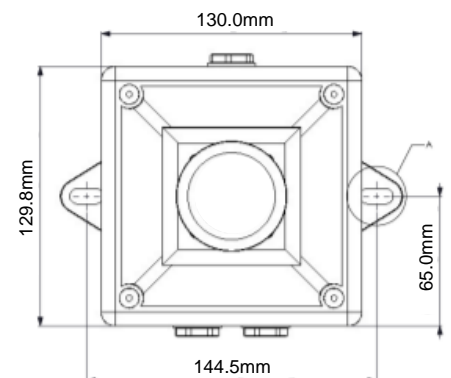
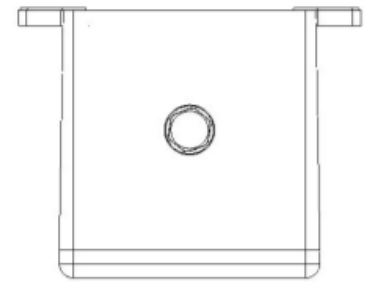
General Information

Compact electronic sounder with 64 different alarm tones, 4 remotely activated alarm stages. Audible distance up to 60m. Volume control. Automatic synchronisation of several devices. Polarized diode for use in supervised circuits. Degree of protection IP66.

Option: UL-Approval

Technical data

Housing	ABS, shock resistant
Housing colour	red (RAL3000)
Degree of protection	IP66 acc. EN60529
Temperature	-40°C to +66°C
Operation	Continuous operation
Tones	Choice of 64 tones (see tone table)
Volume control	-12dB(A) tone dependent
Connection:	
-cable entry	2x M20 (bottom) with stopping plug 1x M20 (top) with stopping plug 1X breakout hole in the bottom
-mounting	Surface mounting
-connection	terminals 0.5 - 2.5 mm ²
Weight	DC: 0.750 kg, AC: 1.000 kg
Approval	VdS acc. EN54-3 (nur 24VDC)



Order data

Item number	Rated voltage	Sound intensity level	Current consumption
A105.024.2	10-60VDC	approx. 106dB(A),1m	33.5mA at 24VDC
A105.230.7	24-260VAC	approx. 106dB(A),1m	17mA at 230VAC

Subject to change without prior notice



Comax
Signaltechnik

Comax Industrielle Signaltechnik AG, Thalstrasse 279, CH-4712 Laupersdorf/Schweiz
Tel +41-(0)32-617 31 41 E-mail mail@comax.ch Internet www.comax.ch