

BALDOR® • RELIANCE™

Customer information packet

CDP3585

2HP, 1750RPM, DC, 145TC, 3548P, TEFC, F1

Class - None

Division -

Specifications

Armature Voltage	180 V
Base Speed	1750 rpm
Enclosure	TEFC
Frame	145TC
Frame Material	Steel
Output Power	2.000 HP
XP Class and Group	None
Agency Approvals	CE CSA UR
Ambient Temperature	40 °C
Armature Current	9.6 a
Armature Inertia	40.456 lb-ft ²
Base Indicator	Rigid
Bearing Grease Type	Polyrex EM (-20F +300F)
Drip Cover	No Drip Cover
Duty Rating	CONT
Feedback Device	NO FEEDBACK
Heater Indicator	No Heater
Lifting Lugs	No Lifting Lugs
Motor Lead Exit	Ko Box
Motor Lead Quantity/Wire Size	2 @ 14 AWG, A
Motor Lead Termination	Flying Leads
Motor Standards	NEMA
Mounting Arrangement	F1
Overall Length	17.38 IN
Product Family	General Purpose
Pulley End Bearing Type	Sealed Bearing
RoHS Status	ROHS COMPLIANT
Service Factor	1.00
Shaft Diameter	0.875 IN
Shaft Extension Location	Pulley End

Part detail

Revision	AG
Type	DC
Mech. spec.	35P432
Base	
Status	PRD/A
Elec. spec.	35WGZ170
Layout	35LYP432
Eff. date	06-23-2023
CD Diagram	CD0194
Poles	00
Leads	2#14 A Y
Proprietary	False
Created date	01-01-0001

Shaft Ground Indicator	No Shaft Grounding
Shaft Rotation	Reversible
Shaft Slinger Indicator	No Slinger

Accessories

Part number	Description	Multiplier
TK3500	TACHO MOUNTING KIT TK3500	A8

DC Motor Performance Data

Record # 2081

Typical performance - not guaranteed values

Winding: 35WGZ170-R001		Type: 3548P		Enclosure: TEFC	
Nameplate Data			General Characteristics		
Rated Output (HP)	2	Armature Resistance @ 25°C	0.8093 Ω		
R.P.M.	1750	Voltage Constant	98.25 v/krpm		
Armature Volts	180	Armature Inductance	11.508 mH		
Armature Amps	9.6	Armature Inertia	40.456 LI ²		
Field Volts					
Field Amps					
Rating - Duty	40C AMB-CONT				
Power Supply Code	K				

Load Characteristics at 180 Armature Volts

Load Point	1	2	3	4	5	6	7
Armature Amps	0.2	2.4	4.7	6.8	9	11.3	13.5
R.P.M.	1806	1796	1770	1741	1707	1671	1663
Torque (LB-FT)	0	1.5	3	4.5	6	7.5	9

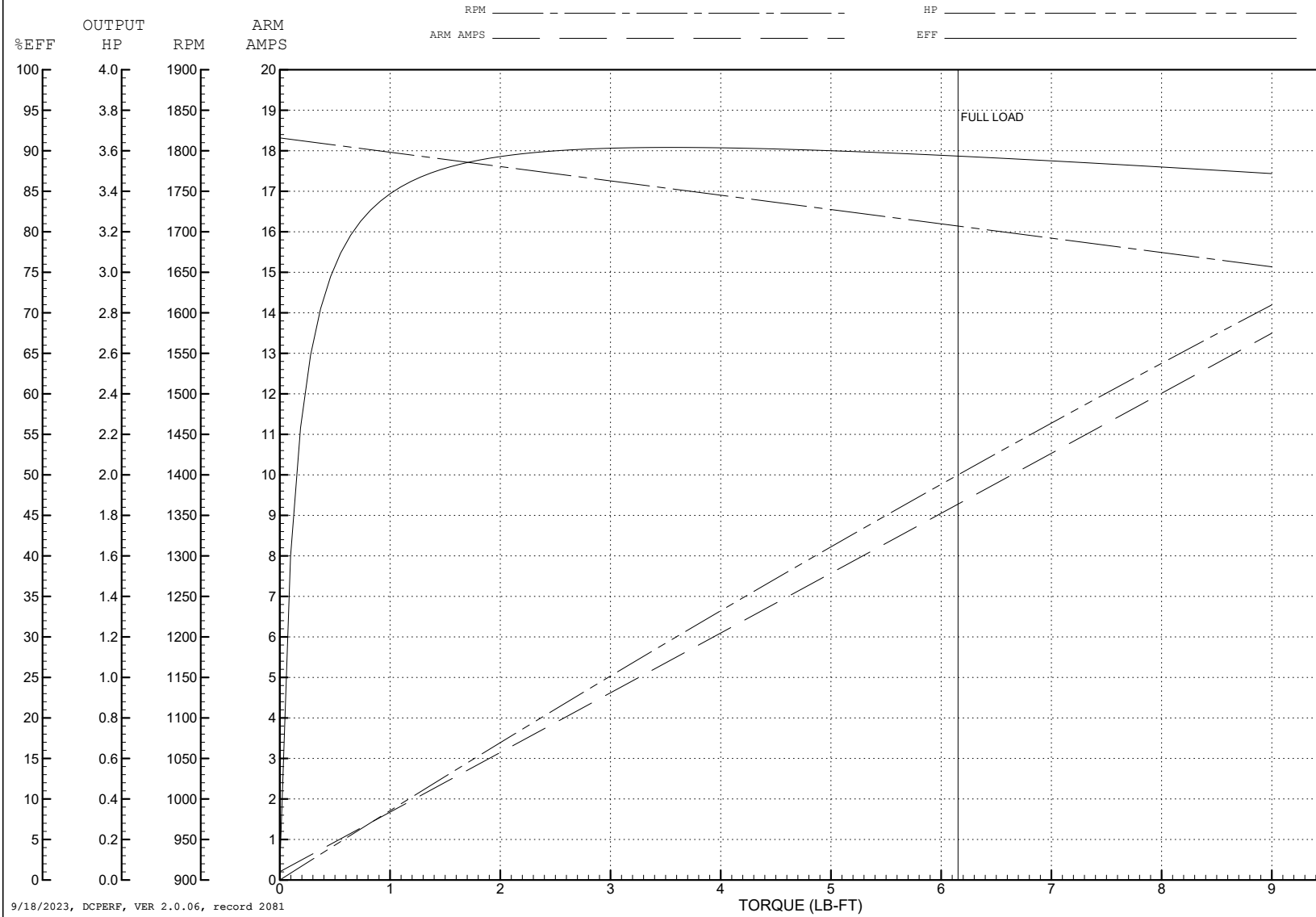
ABB Motors and Mechanical Inc.

WINDING # 35WGZ170

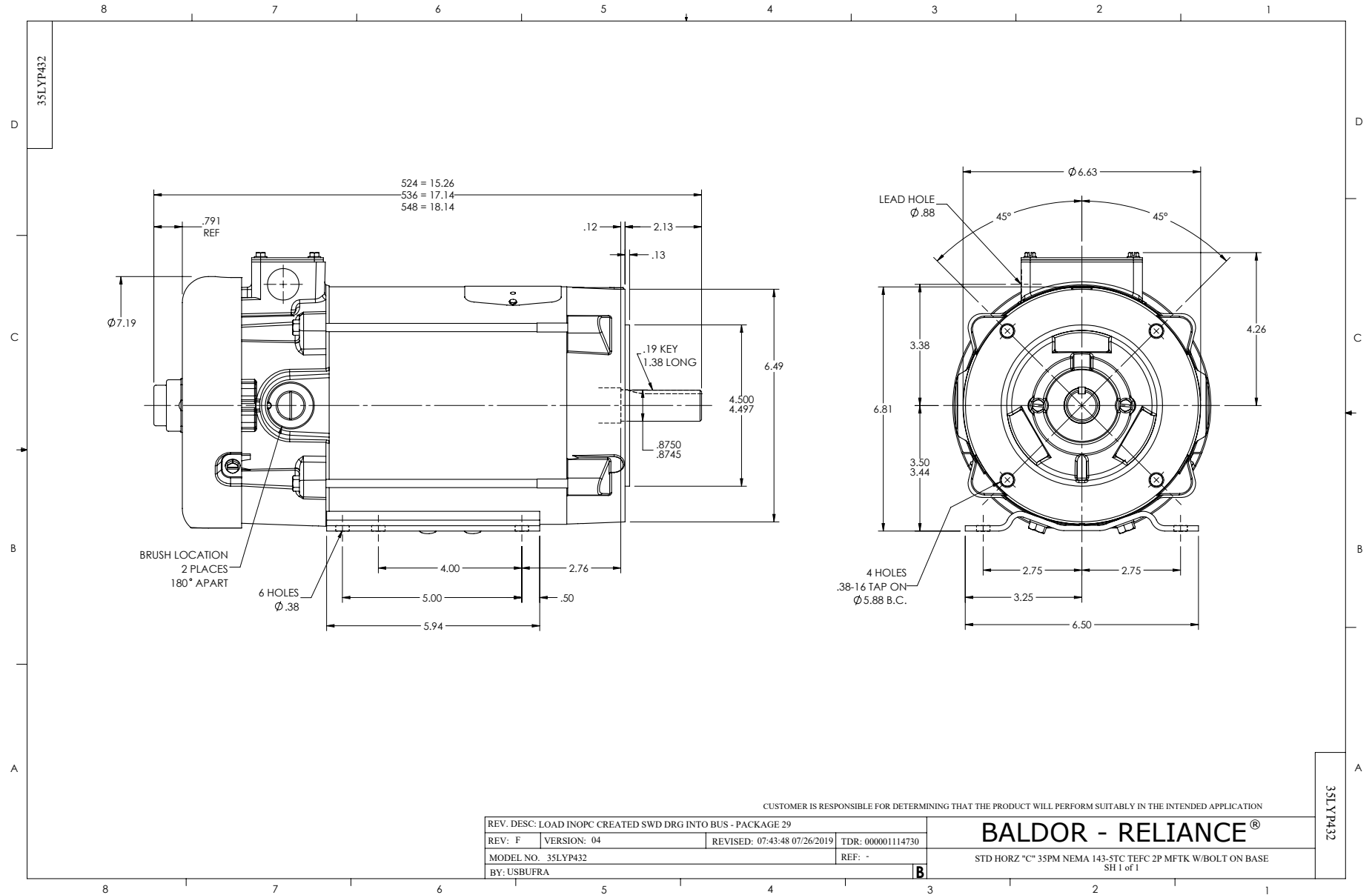
2 HP DC 1750 RPM 180 V 3548P

Typical performance - not guaranteed values.

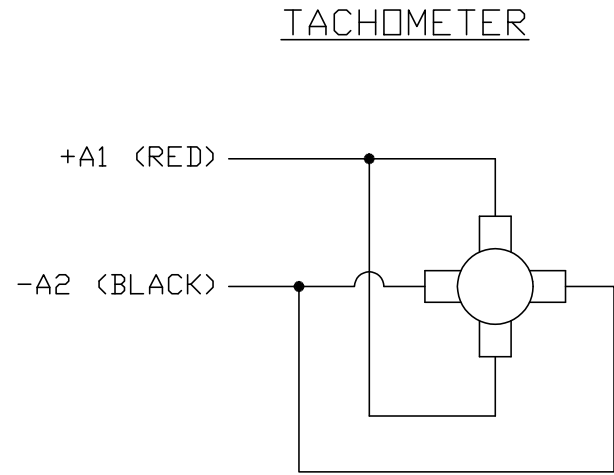
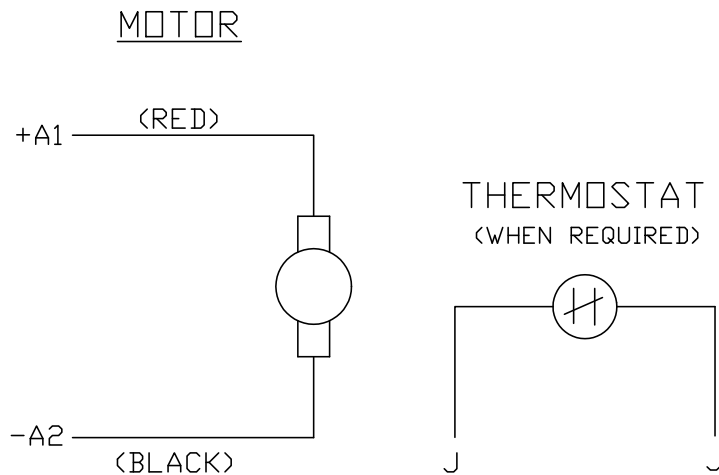
ENCL: TEFC DUTY: CONT CL: F



9/18/2023, DCPERF, VER 2.0.06, record 2081



CD0194



NOTES:

1. CCW ROTATION AS SHOWN FACING COMMUTATOR END. TO REVERSE MOTOR ROTATION OR TACHOMETER OUTPUT POLARITY INTERCHANGE LEADS A1(RED) & A2(BLACK)
2. LEAD COLORS FOR REFERENCE ONLY & NOT SPECIFIED BY THIS DRAWING. LEAD COLORS SPECIFIED BY LAYOUT DRAWING & BILL OF MATERIAL ONLY.

MATL: -			
REV: E	ADDED NOTE "LEAD COLORS FOR REFERENCE ONLY &..."		
CD0194	SCALE: -	BY: CK	REVISED: 07/28/95
	FILE: AAA00004503	TDR: 0078737	

BALDOR ELECTRIC Co.

CD TYPE P DC PERMANENT MAGNET MOTORS AND TACHOMETERS

CD0194