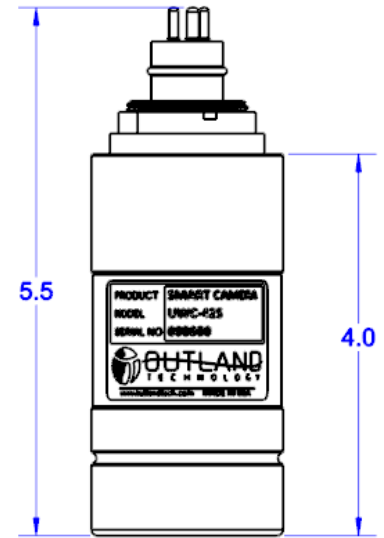
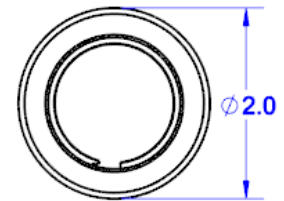


- **BUILT-IN DEPTH SENSOR**
- **BUILT IN TEMPERATURE SENSOR**
- **BUILT IN COMPASS**
- **STANDARD TETHER AND CONNECTOR**
- **SD or HD**
- **COLOR or BW**
- **COMPACT SIZE**



TOP VIEW



FRONT VIEW

USES INCLUDE: DIVER, ROV, DROP CAMERA, TOW SLED, ETC.

MECHANICAL:

Diameter.....2.0 in. (51 mm)
 Length (excluding connector).....4 in. (102 mm)
 Weight in air.....10.8 oz. (0.31 kg)
 Weight in seawater.....2.5 oz. (0.07 kg)
 Depth Rating.....1,000 ft. (305 m)
 (limited to 1000ft. (305 m) by the standard depth sensor; see Options)
 Temp. Sensor Rating.....-4°F - 220°F (-20°C - 100°C)
 Housing Material.....Delrin
 Port Material.....Acrylic

CAMERA PROPERTIES:

Image Device.....1/2.8 in. Progressive Scan CMOS
 Resolution.....480i
 Lens.....3.6 mm, F2.0
 Focus.....Fixed
 Horizontal FOV.....88° Hor. X 63.4° Vert.
 Standard Format.....NTSC

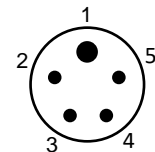
ELECTRICAL:

Input Voltage.....12-30 VDC
 Power.....80 mA (typical) @ 12 VDC

CONNECTOR:

Standard Connector.....XSK-5-BCL
 Mate for Standard Connector.....RMK-5-FS

1. Video
2. Ground / Common
3. Power (+12V)
4. Com+
5. Com-



Looking at the male pins on the back of the camera

OPTIONS:

1. PAL Format
2. High Definition 1080P Camera
3. 50 bar Depth Sensor (up to 1,650 ft / 500 m)
4. 100 bar Depth Sensor (up to 3,300 ft / 1000 m)
5. Port Material