

# PAB123-FT



Fanless Industrial Box PC with Intel® Pentium® N4200



## FEATURES

- Intel® Pentium® N4200
- Dual Gigabit Ethernet
- Dual display support
- Three kinds of mounting : DIN rail, WALL, FLAT
- Wide DC power range 9-36 VDC



## SYSTEM

CPU	Intel® Pentium® N4200, QC, 1.1 GHz
CHIPSET	Intel® Apollo Lake
GRAPHICS	Intel® HD Graphics 505
MEMORY TYPE	2x DDR3L SO-DIMM 1600 MHz up to 8 GB
AUDIO	Realtek® Audio Codec
ETHERNET	2x 10/100/1000 Mbps Intel® I211AT

## STORAGE

DEVICE	1x M.2 SATA (2242) 1x 2.5" SSD / HDD (optional)
--------	--

## EXTERNAL I/O

SERIAL PORTS	1x COM (RS-232/422/485), 1x COM (RS-232)
USB PORTS	2x USB 3.0, 2x USB 2.0
AUDIO	1x Line-out
VIDEO OUTPUT	1x VGA (2560x1600), 1x HDMI (3840x2160)
LAN	2x RJ45 Ethernet ports
PS2	N/A
SUPPLY CONNECTION	24 VDC terminal block

## EXPANSION SLOT

MINI-PCIE	1x full size with PCIe x1
M.2	1x KeyM (2242) with SATA

## OS SUPPORT

MICROSOFT®	Windows 10 Enterprise LTSC 2016 (64 bit)
MICROSOFT®	Windows 10 Enterprise LTSC 2019 (64 bit)
MICROSOFT®	Windows 10 Enterprise LTSC 2021 (64 bit)
MICROSOFT®	Windows 10 PRO (64 bit)
LINUX	Ubuntu 20.04.1 LTS or newer and further distros

## POWER SYSTEM

RATED INPUT VOLTAGE	24 VDC
INPUT VOLTAGE LIMIT	9-36 VDC
POWER CONSUMPTION	15 W

## MECHANICAL

DIMENSION (WxHxD)	70x165x110 mm (2.6x6.5x4.3 in)
WEIGHT	2.0 Kg
CHASSIS	SECC steel (galvanized)
MOUNTING TYPE	DIN RAIL mounting *, WALL mounting * FLAT mounting (optional)

## ENVIRONMENT

OPERATING TEMPERATURE	0 ~ 50 °C (32 ~ 122 °F)
STORAGE TEMPERATURE	-20 ~ 60 °C (-4 ~ 140 °F)
OPERATING HUMIDITY	10 ~ 95 % @ 40°C (non-condensing)
EMC	CE
SAFETY	CE

\* Included in the package

# PAB123-FT

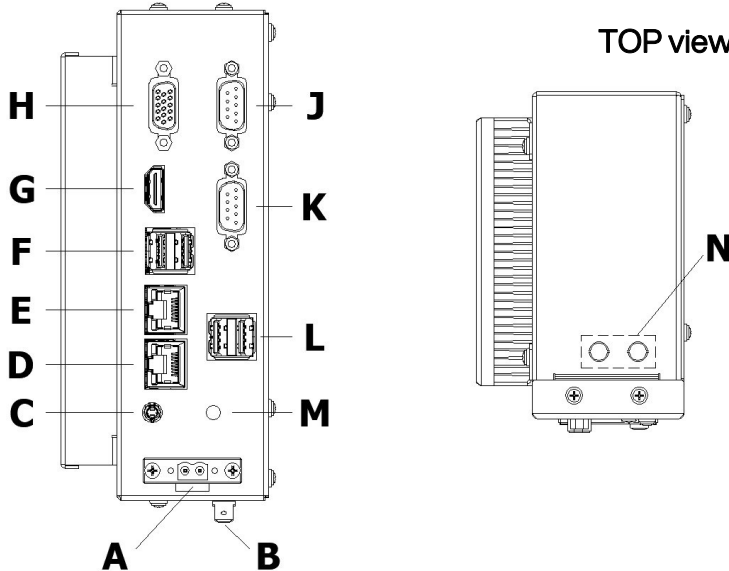
Fanless Industrial Box PC with Intel® Pentium® N4200

FRONT view

TOP view

**PAB123 I/O View :**

- A - Power connector (24VDC)
- B - Ground connector
- C - Audio output
- D - Gigabit LAN 1
- E - Gigabit LAN 2
- F - 2x USB 3.0
- G - HDMI
- H - VGA
- J - RS-232/422/485 (COM 1)
- K - RS-232 (COM 2)
- L - 2x USB 2.0
- M - Power led
- N - Wi-fi antenna (optional)

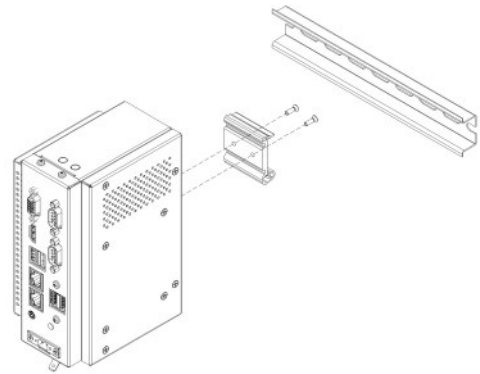
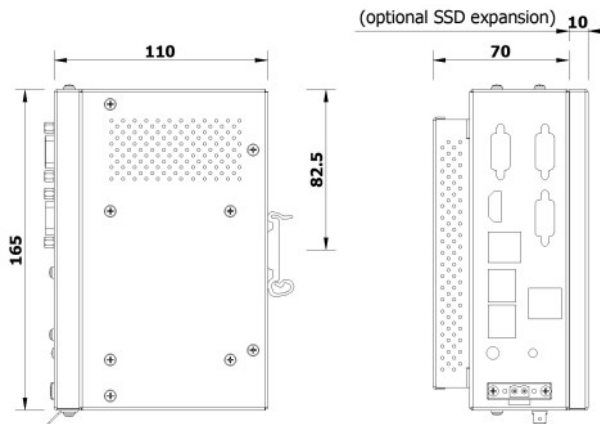


AVAILABLE OPTIONS		CONFIGURATION NUMBER						
		1	2	3	4	5	6	7
<b>WiFi Lan</b>	Wi-Fi Lan <sup>1</sup>	●						
<b>Serial Ports</b>	2x optoisolated serial ports RS-422/485 MiniPCI-Express card <sup>2</sup>		●					
Notes								
<sup>1</sup> 1 mt Wi-Fi antenna cable extension available on request								
<sup>2</sup> Serial ports will be set on the "J" and "K" position instead of COM1 and COM2.								

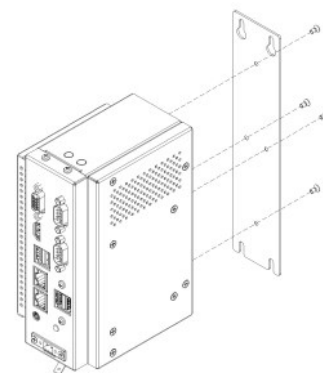
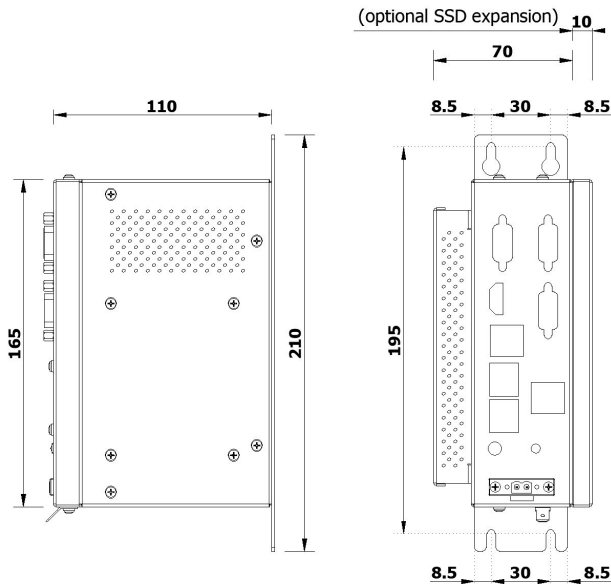
# PAB123-FT

Fanless Industrial Box PC with Intel® Pentium® N4200

## DIN RAIL mounting (included in the package)



## WALL mounting (included in the package)



## FLAT mounting (optional NOT included)

