

TUBE-TO-TUBE-SHEET WELD HEADS



RBK 60 S

The RBK 60 S is an extremely robust water-cooled welding head for standard heat exchanger application up to ID 60mm, modified to ID 99mm or 120mm. The head is pneumatically centred and is available with an optional rotating wire device and/or arc voltage control (AVC). The head can also be used with a pneumatic positioner, instead of balancers.



WELDING HEAD RBK 60 S

with pneumatic centring, including hose package, 8m, water-cooled

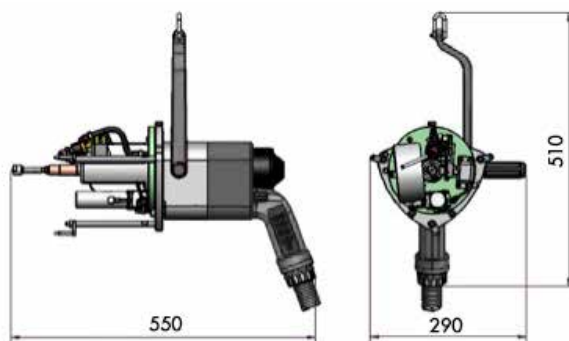
RBK 60 S WELDING HEAD

with pneumatic centring and wire feeder incl. hose package, 8m, water-cooled

RBK 60 S WELD HEAD

with pneumatic centring, wire feeder and AVC incl. hose package, 8m, water-cooled

With pneumatic centring



With pneumatic positioner



Dimensions in mm.

Item number

Orbital welding system

Orbital welding tools

Welding equipment

1.3.3702

Saws / tube squaring devices

1.3.3701

1.3.3700

Purge accessories

Measurement devices

Service / warranty

TUBE-TO-TUBE-SHEET WELD HEADS



RBK 60 S, SPRING SLEEVES

Item number

TECHNICAL DATA:

Field of application mm | inch

Max. welding current

Wire motor

Rotation speed

Wire coil

Wire diameter

Weight without wire feed

Weight with wire feed

Weight with wire feed/AVC

RBK 60 S

DI 9.5-60.5 mm | 0.374"-2.381"
(optional to 99.10mm | 3.901"

or 120mm | 4.724")

200A

24V DC

Max. 5 U/Min

1 kg, D100

0.8 - 1.2mm

8kg

10.5kg

11.kg

Package includes:

- Welding head
- Water-cooled cable assembly,
- Tool kit
- Carrying case



RBK 60 S spring sleeve

Field of application DI	
mm	inch
9.5 – 10.5	0.374 – 0.413
10.5 – 11.5	0.413 – 0.453
11.5 – 12.5	0.453 – 0.492
12.5 – 13.5	0.492 – 0.531
13.5 – 14.5	0.531 – 0.571
14.5 – 15.5	0.571 – 0.610
15.5 – 16.5	0.610 – 0.650
16.1 – 17.1	0.634 – 0.673
17.2 – 18.2	0.677 – 0.717
18.5 – 19.5	0.728 – 0.768
19.5 – 20.5	0.768 – 0.807
20.5 – 21.5	0.807 – 0.846
21.7 – 22.7	0.854 – 0.894
22.4 – 23.4	0.882 – 0.921
22.7 – 23.7	0.894 – 0.933
23.5 – 24.5	0.925 – 0.965
24.5 – 25.5	0.965 – 1.004
25.5 – 26.5	1.004 – 1.043
26.5 – 27.5	1.043 – 1.083
27.0 – 28.0	1.063 – 1.102
27.5 – 28.5	1.083 – 1.122
28.3 – 29.3	1.114 – 1.153
28.5 – 29.5	1.122 – 1,161
29.0 – 30.0	1.142 – 1.181
29.5 – 30.5	1.161 – 1,201
30.5 – 31,5	1.201 – 1.240
31.5 – 32.5	1.240 – 1.280

- 1.3.370595
- 1.3.3705105
- 1.3.3705115
- 1.3.3705125
- 1.3.3705135
- 1.3.3705145
- 1.3.3705165
- 1.3.3705161
- 1.3.3705172
- 1.3.3705185
- 1.3.3705195
- 1.3.3705205
- 1.3.3705217
- 1.3.3705224
- 1.3.3705227
- 1.3.3705235
- 1.3.3705245
- 1.3.3705255
- 1.3.3705265
- 1.3.370527
- 1.3.3705275
- 1.3.3705283
- 1.3.3705285
- 1.3.370529
- 1.3.3705295
- 1.3.3705305
- 1.3.3705315

TUBE-TO-TUBE-SHEET WELD HEADS

RBK 60 S, SPRING SLEEVES



32.5 – 33.5	1.280 – 1.319
33.5 – 34.5	1.319 – 1.358
34.3 – 35.3	1.358 – 1.390
34.5 – 35.5	1.358 – 1.398
35.5 – 36.5	1.398 – 1.437
36.5 – 37,5	1.437 – 1.476
37.5 – 38,5	1.476 – 1.516
38.5 – 39.5	1.516 – 1.555
39.5 – 40.5	1.555 – 1.594
40.5 – 41.5	1.594 – 1.634
41.5 – 42.5	1.634 – 1.673
42.5 – 43.5	1.673 – 1.713
43.5 – 44.5	1.713 – 1.752
44.5 – 45.5	1.752 – 1.791
45.5 – 46.5	1.791 – 1,831
46.5 – 47.5	1.831 – 1.870
47.0 – 48.0	1.850 – 1.890
47.5 – 48.5	1.870 – 1.909
48.0 – 49.0	1.890 – 1.929
49.5 – 50.5	1.949 – 1.988
50.5 – 51.5	1.988 – 2.028
51.5 – 52.5	2.028 – 2.067
52.5 – 53.5	2.067 – 2.106
53.5 – 54.5	2.106 – 2.146
54.5 – 55.5	2.156 – 2.185
55.5 – 56.5	2.185 – 2.224
56.0 – 57.0	2.205 – 2.244
56.5 – 57.5	2.224 – 2.264
57.0 – 58.0	2.244 – 2.283
57.5 – 58.5	2.264 – 2.303
58.5 – 59.5	2.303 – 2.343
59.5 – 60.5	2.343 – 2.382
60.6 – 61.6	2.386 – 2.425
61.5 – 62.5	2.421 – 2.461
62.5 – 63.5	2.461 – 2,500
63.5 – 64.5	2.500 – 2.539
64.5 – 65.5	2.539 – 2.579
65.5 – 66.5	2.579 – 2.618
66.5 – 67.5	2.618 – 2.657
67.5 – 68.5	2.657 – 2.697
68.5 – 69.5	2.697 – 2.736
69.5 – 70.5	2.736 – 2.776
70.5 – 71.5	2.776 – 2.815
71.5 – 72.5	2.815 – 2.854

Item number

1.3.3705325
1.3.3705335
1.3.3705343
1.3.3705345
1.3.3705355
1.3.3705365
1.3.3705375
1.3.3705385
1.3.3705395
1.3.3705405
1.3.3705415
1.3.3705425
1.3.3705435
1.3.3705445
1.3.3705455
1.3.3705465
1.3.370547
1.3.3705475
1.3.370548
1.3.3705495
1.3.3705505
1.3.3705515
1.3.3705525
1.3.3705535
1.3.3705545
1.3.3705555
1.3.370556
1.3.3705565
1.3.370557
1.3.3705575
1.3.3705585
1.3.3705595
1.3.3705606
1.3.3705615
1.3.3705625
1.3.3705635
1.3.3705645
1.3.3705655
1.3.3705665
1.3.3705675
1.3.3705685
1.3.3705695
1.3.3705705
1.3.3705715

Orbital welding system

Orbital welding tools

Welding equipment

Saws / tube squaring devices

Purge accessories

Measurement devices

Service / warranty

TUBE-TO-TUBE-SHEET WELD HEADS

RBK 60 S SPRING SLEEVES, ACCESSORIES



72.7 – 73.7	2.862 – 2.902
73.5 – 74.5	2.894 – 2.933
74.5 – 75.5	2.933 – 2.972
75.5 – 76.5	2.972 – 3.002
76.5 – 77.5	3.012 – 3.051
77.5 – 78.5	3.051 – 3.091
78.5 – 79.5	3.091 – 3.130
79.5 – 80.5	3.130 – 3.169
80.5 – 81.5	3.169 – 3.209
81.5 – 82.5	3.209 – 3.248
82.0 – 83.0	3.228 – 3.268
82.5 – 83.5	3.248 – 3.287
84.5 – 85.5	3.327 – 3.366
98.1 – 99.1	3.862 – 3.902

Item number

1.3.3705725
1.3.3705735
1.3.3705745
1.3.3705755
1.3.3705765
1.3.3705775
1.3.3705785
1.3.3705795
1.3.3705805
1.3.3705815
1.3.370582
1.3.3705825
1.3.3705845
1.3.3705981



BALANCER for RBK (9 – 15kg)

1.2.3614

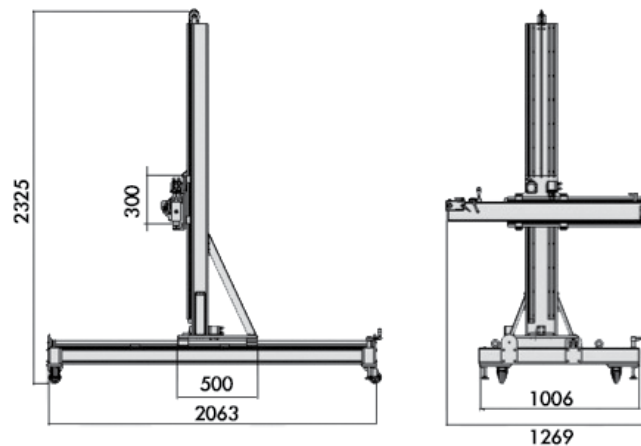
TUBE-TO-TUBE SHEET POSITIONER (pneumatic)

With the tube-to-tube sheet positioner, the RBK 60 S can easily be positioned without a balancer and centred pneumatically with the lever on the positioner.

1.3.3001

The head is aligned with a matching centring on the tube sheet.

The positioner stands on rollers and is fixed in front of the tube sheet with a screw adjustment.



Dimensions in mm.



Centring for positioner for RBK 60 S on request.