

# 975EVO



TrenchIntel

**TrenchIntel  
DGPS guidance system:**  
Extra high precision 3D GPS system  
Automatic depth and grade control  
Autosteering to a predefined path  
Pass optimization and fleet control



TrenchTronic

**TrenchTronic 5.0  
Electronic Control with:**  
Operator selectable digging  
pressure and automatic operation  
Fully automatic operation  
Remote diagnostic system



**Re.M  
Remote Control with:**  
Machine data remote monitoring  
Fleet location management  
Troubleshooting information  
Operating conditions



## TRENCHING DIMENSIONS

SINGLE CHAIN BOOM

4'-10"  
122-306 cm

14"-20"  
35-51 cm

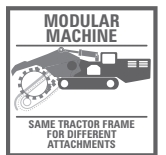
DOUBLE CHAIN BOOM

4'-10"  
122-306 cm

24"-36"  
61-91 cm

## FEATURES AND APPLICATIONS

Mid-size Chainsaw trencher conceived for rock excavation for utilities projects such as fiber optic, electric cables, water conduits, pipelines and other. The 975EVO can be equipped with elevating cabin and tilting tracks; upon request it can also fit an automatic laying system for fiber optic back-bone projects or electric cable networks. TrenchTronic 5.0 equipped.



PIPELINE CONSTRUCTION



UNDERGROUND POWERLINES  
INSTALLATION



LONG DISTANCE NETWORKS  
INSTALLATION



METROPOLITAN NETWORKS  
INSTALLATION



OPTICAL FIBER INSTALLATION



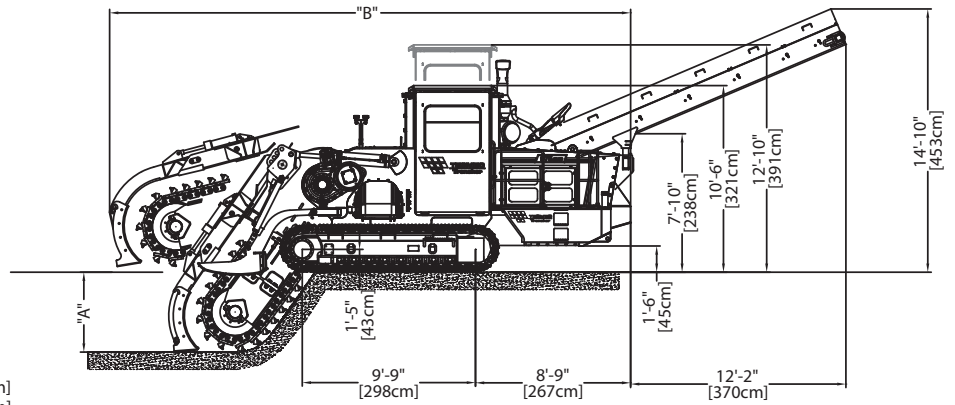
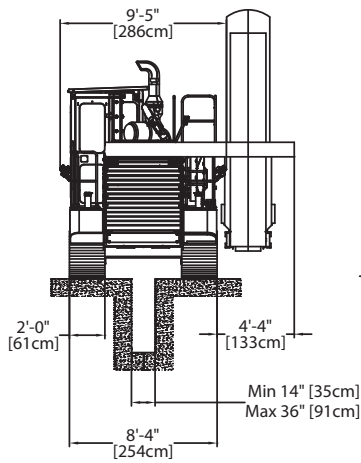
URBAN DRAINAGE WORKS



UNDERGROUND CONNECTION  
NETWORKS INSTALLATION

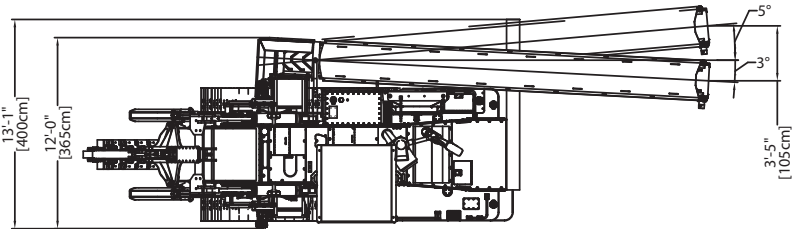


WATER AND SEWAGE NETWORKS  
INSTALLATION



4 ft x 16 in MACHINE SHOWN  
TRUCK LOADING CONVEYOR SHOWN(AVAILABLE AS OPTION)

NOMINAL BOOM SIZE	MAX DEPTH "A"	"B"
4' (122 cm)	53" [134 cm]	29'-5" [896 cm]
5' (152 cm)	65" [165 cm]	30'-8" [935 cm]
6' (183 cm)	77" [196 cm]	32'-0" [974 cm]
7' (213 cm)	89" [227 cm]	33'-2" [1011 cm]
8' (244 cm)	101" [258 cm]	34'-4" [1047 cm]
10' (305 cm)	126" [320 cm]	36'-10" [1123 cm]



## 975EVO CHAINSAW TECHNICAL SPECIFICATIONS

### Standard Features

- Pressurized elevating ROPS and FOPS cab with air conditioning, heating, sound suppression
- Electrical system: 24 V
- Anti vibration isolator mounts: used on engine, radiator/oil cooler unit and cab
- Stabilizers with trench cleaners: automatically adjust to terrain changes
- Positive locking digging chain adjustment

### Trenching Dimensions

- Two different configurations available:
- SINGLE CHAIN BOOM** with Single strand 8.5" (21.6 cm) pitch chain:
    - Depth range.....4'-6'-8'-10' (122-183-244-306 cm)
    - Widths range.....14"-20" (35-51 cm)
  - DOUBLE CHAIN BOOM** with Double strand 8.5" (21.6 cm) pitch chain:
    - Depth range.....4'-6'-8'-10' (122-183-244-306 cm)
    - Widths range (welded wear plates).....24"-36" (61-91 cm)
    - Widths range (floated wear plates).....26"-36" (66-91 cm)

Not standard configuration can be available as option, subject to restriction in use and limitation in max. transmissible power. Please contact Tesmec for details

### Engine

- HIGHLY REGULATED COUNTRIES (EU, USA)**
- Model.....Caterpillar C9.3B US EPA Tier 4 / EU Stage V
- Max gross horsepower.....375 hp (280 kW)
  - Max no load rpm.....2000 rpm
  - Fuel tank capacity.....174 gal (660 l)
  - Fuel consumption at full load.....18 gal/hr (68 l/hr)
  - Urea tank capacity.....17.3 gal (65.4 l)
  - Estimated max urea consumption at full load.....8% of fuel consumption
  - Cooling rating adequate for 130° F (54.4° C) ambient air temperature
  - Air cleaner: dry type, 2 stages with dual precleaner

### LESSER-REGULATED COUNTRIES

- Model.....Caterpillar C9.3B LRC
- Max horsepower at no load.....375 hp (280 kW)
  - Max no load rpm.....2000 rpm
  - Fuel tank capacity.....174 gal (660 l)
  - Fuel consumption at full load.....18 gal/hr (68 l/hr)
  - Cooling rating adequate for 130° F (54.4° C) ambient air temperature
  - Air cleaner: dry type, 2 stages with pre-cleaner and automatic dust ejection

### Operating and Transport Weight

- Weight:.....55,116-88,186 lbs (25'000-40'000 kg)
- Ground pressure:.....9.7-12.4 psi (0.68-1.10 kg/cm<sup>2</sup>)
- Note: dependent on configuration and options

### Trencher Drive

- Hydrostatic: two pumps and two motors capable of transmitting full engine horsepower
- Flywheel gearboxes, shaved, helical gearing, case hardened for extreme shock load
- Four operator selectable digging speed ranges. Chain speeds:
- .....0-340 fpm (0-103 m/min)
  - .....0-470 fpm (0-145 m/min)
  - .....0-610 fpm (0-185 m/min)
  - .....0-675 fpm (0-206 m/min)
- Max digging chain pull:
- .....Peak 252 kN (56,700 lbs)
  - .....Continuous 98 kN (21,800 lbs)

- Tesmec designed single strand or double link 4.5" (11.4 cm) pitch chain, "K" style
- Standard cutters: rotary carbide tipped 1.5" (3.8 cm) shank diameter

### Crawler Drive

- Dual path, hydrostatic drive, planetary transmissions capable of full counter rotation with single lever steering, single lever direction
- Infinitely variable speed: forward and reverse
- Speed ranges:
- High range.....0-1.71 mph (0-2.75 km/hr)
  - Low range.....0-0.86 mph (0-1.38 km/hr)
- Integral parking and service brake: spring applied, hydraulic release, wet disc brake

### Tracks

- Overall track length.....9' 9" (298 cm)
- Track pad type: triple grouser (single or double grouser also available as option)
- Track chain type: Caterpillar D5
- Track pad width.....2' (61 cm)

### Hydraulic Transmission

- Pressure and flow compensated (load sensing)
- Pump flow maximum.....43 gpm (164 l/min)
- Pressure setting.....2.500 psi (172 bar)
- Oil tank capacity.....73 gal (275 l)

### Cross Conveyor

- Pressure and flow compensated pump with dual hydraulic drive motors
- Reversible and shiftable
- Belt speed infinitely variable 0-790 fpm (0-240 m/min)
- Discharge direction: right or left
- Conveyor belt width.....1' 11" (60 cm)
- Conveyor length.....8' 3" (250 cm)
- Discharge height.....57" (145 cm)

### Transport Dimensions

- Length with crumshoe without truck loading conveyor.....4 ft boom: 29' 5" (896 cm)
- .....6 ft boom: 32' 0" (974 cm)
- .....8 ft boom: 34' 4" (1047 cm)
- .....10 ft boom: 36' 10" (1123 cm)
- Width, no motor removal.....9' 5" (286 cm)
- Width, with motor removal.....8' 4" (254 cm)
- Height .....10' 6" (321 cm)

### Main Available Devices

Ask Tesmec for a complete devices list