

PLC Photo Sensor



Features

1. Dedicated yarn-shortage detection
2. Equally effective on ferrous and aluminum bobbins
3. Digital opto-electric-enabled one-touch setting for super convenience
4. Red LED spot-light for easy visibility, identification and installation
5. Simultaneous multi-bobbin function to cut cost
6. Freely-adjustable work speed without affecting opto-electrics
7. DC 12V~24V, NPN and PNP output for easy set-up

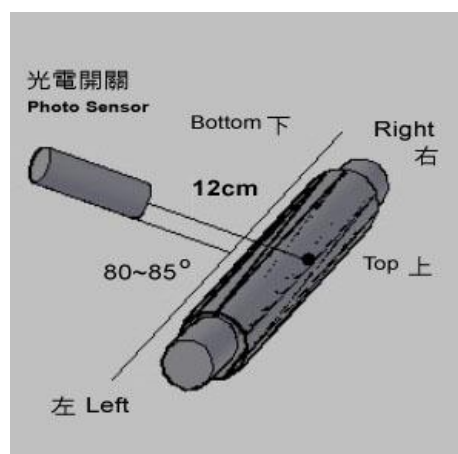
Standard Specification

Type	Out type	1	NPN	UDX-15R-NCPU
		2	PNP	UDX-15R-PCPU
Detective Method				Reflex type
Sensitivity				With Setting Button
Sensing distance				15cm
Emission				Red LED
Current Operating voltage				DC 12V-24V permissible ripple (P.P):10% max.
Current consumption				≥ 60mA
Standard Sensing object				White paper 8x8cm
Load current max.				200mA
Response frequency				100Hz
Residual output voltage				1.2V max. 1L= 200mA, cable 2m
Output type				N series: NPN NO/NC / P series: PNP NO/NC
Protection circuit				Polarity, short circuit, over current, surge voltage protection
Indicator				Remark1
Wiring method				∅ 4.7mm, 2m length. 0.23mm 3 conductor section
Ambient temperature and humidity				-25° C to 55° C , 35~90% RH
Degree operating temperature				IEC, IP67
Housing material				Tube: Brass nickel plated
Weight				150g
Accessories				nut and washer----each two units

Remark1.

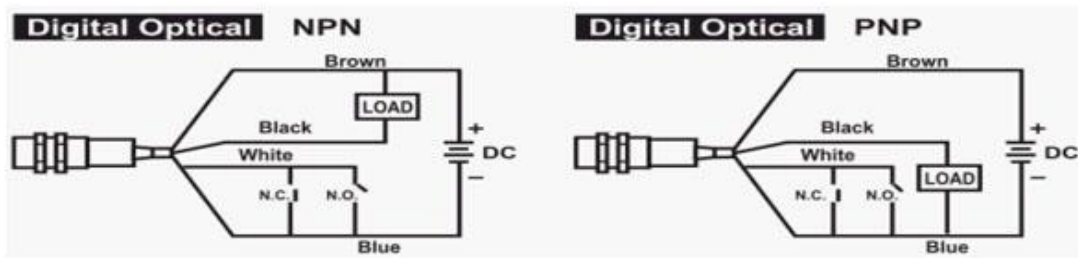
1. Green for "ON"
2. Yellow for "Sensor"
3. Red for "Output Signal"

Operation Instructions

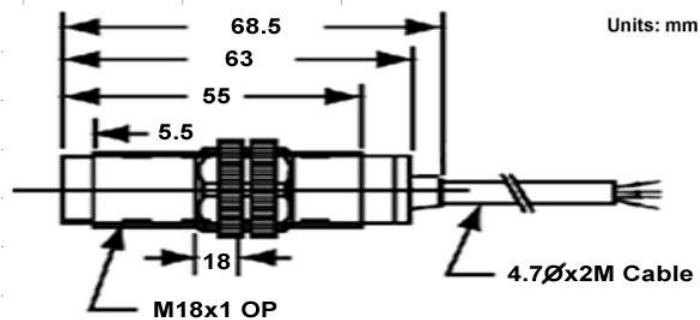


Diagram

CONNECTION DIAGRAM



Dimensions



Contact

Taipei World Trade Center

Add: 3C25, Taipei World Trade Center, No. 5, Sec. 5, Hsin Yi Rd. Taipei Taiwan, R.O.C.

Tel: 886-2-27206601 (Rep.)

Fax: 886-2-23455120

E-mail: gitta@ms9.hinet.net

<http://www.maxthermo.com>

Factory

Add: 11F., No.168, Jiankang Rd., Zhonghe Dist., New Taipei City 235, Taiwan (R.O.C.)

Tel: 886-2-22287950 (Rep.)

Fax: 886-2-22286140

Thailand Office - THAI MAXIMUM ELECTRONIC CO., LTD

Add: 86/132-133 m.7 Samaedum Bangkoontien Bangkok 10150 Thailand.

Tel: +662-415-8318 , +662-417-2548-49

Fax: +662-415-8798

<http://www.thaimaximum.com>