



## Modular Armrest 225MA Midi

State-of-the-art technology and perfected ergonomic design have been standard in the vehicles of the “big players” for mobile machines for many years. Now elobau offers you with the configurable, multi-functional armrest 225MA midi the chance to profit from our long-standing know-how in the areas of functionality, ergonomics and design.

### Product characteristics

- Sustainable: 75% of the plastics used are bio-based
- Safe: Safety level AgPL c (ISO 25119)
- Practical: Storage compartment with USB charging socket for smartphones
- Conforms to standards: Mother Regulation compliant (EU 167/2013)
- Plug & Play: CAN bus (SAE J1939)
- Clearly designed: Colours, symbols, function and night illumination

Technical drawing

IMAGE 1/4

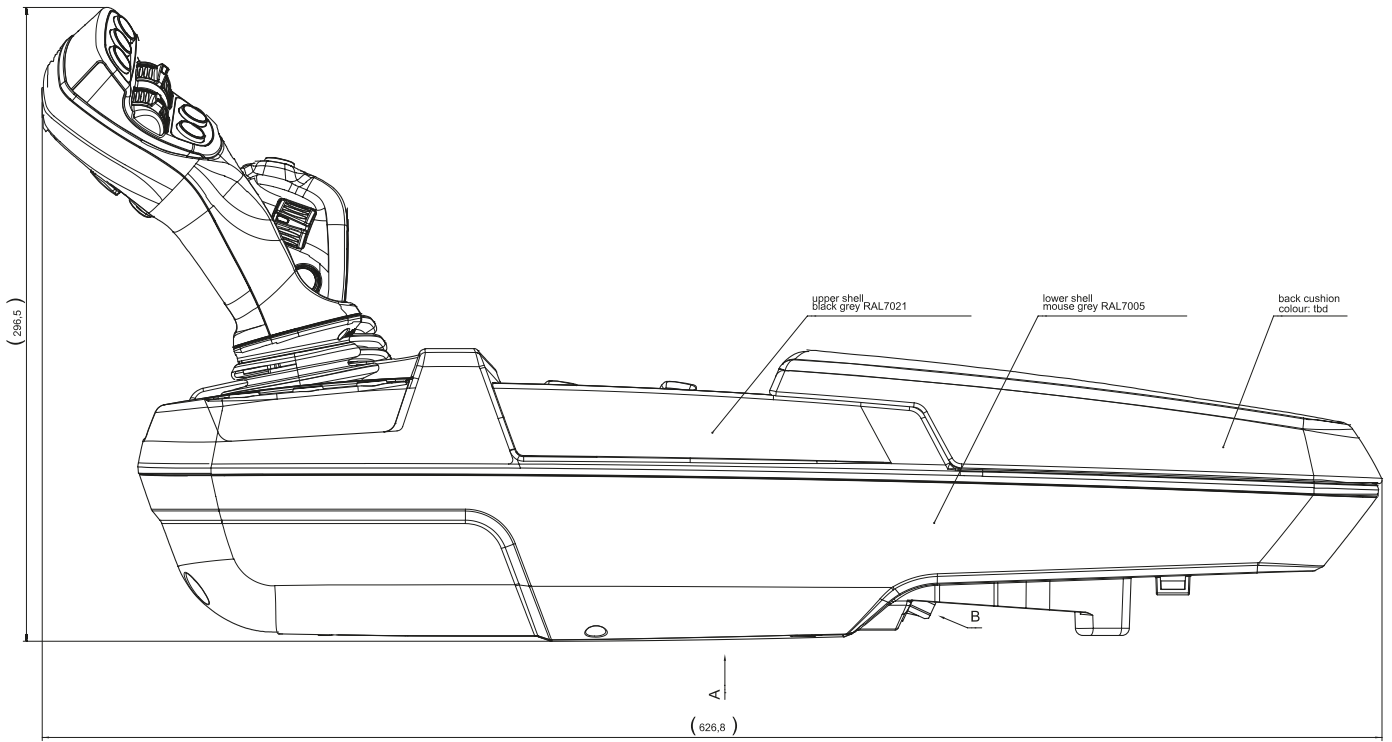


IMAGE 2/4

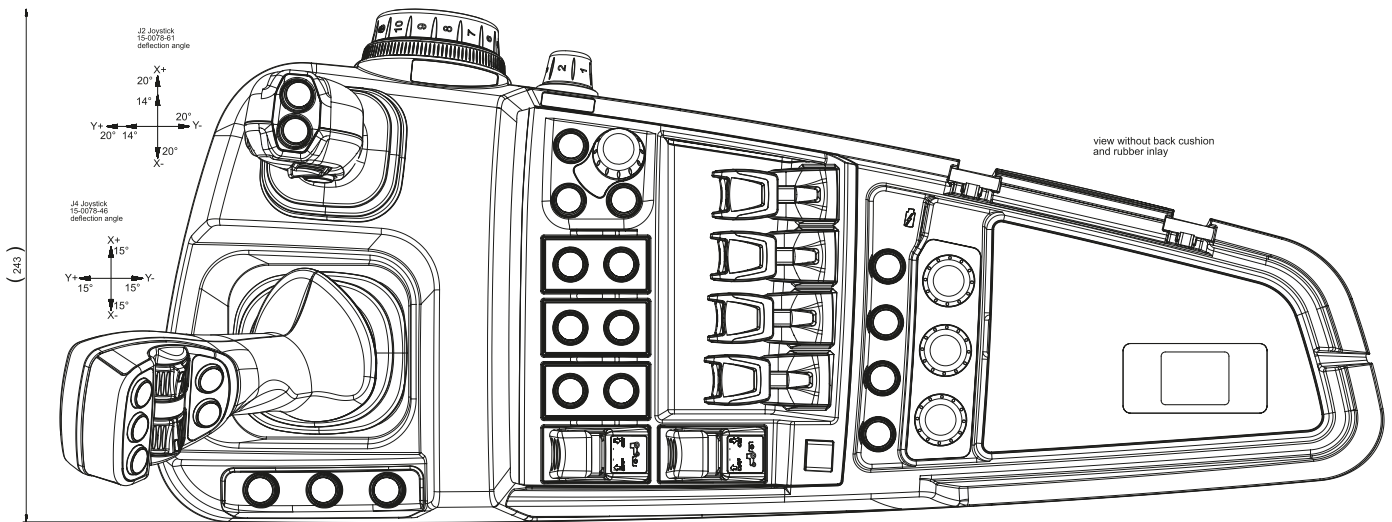


IMAGE 3/4

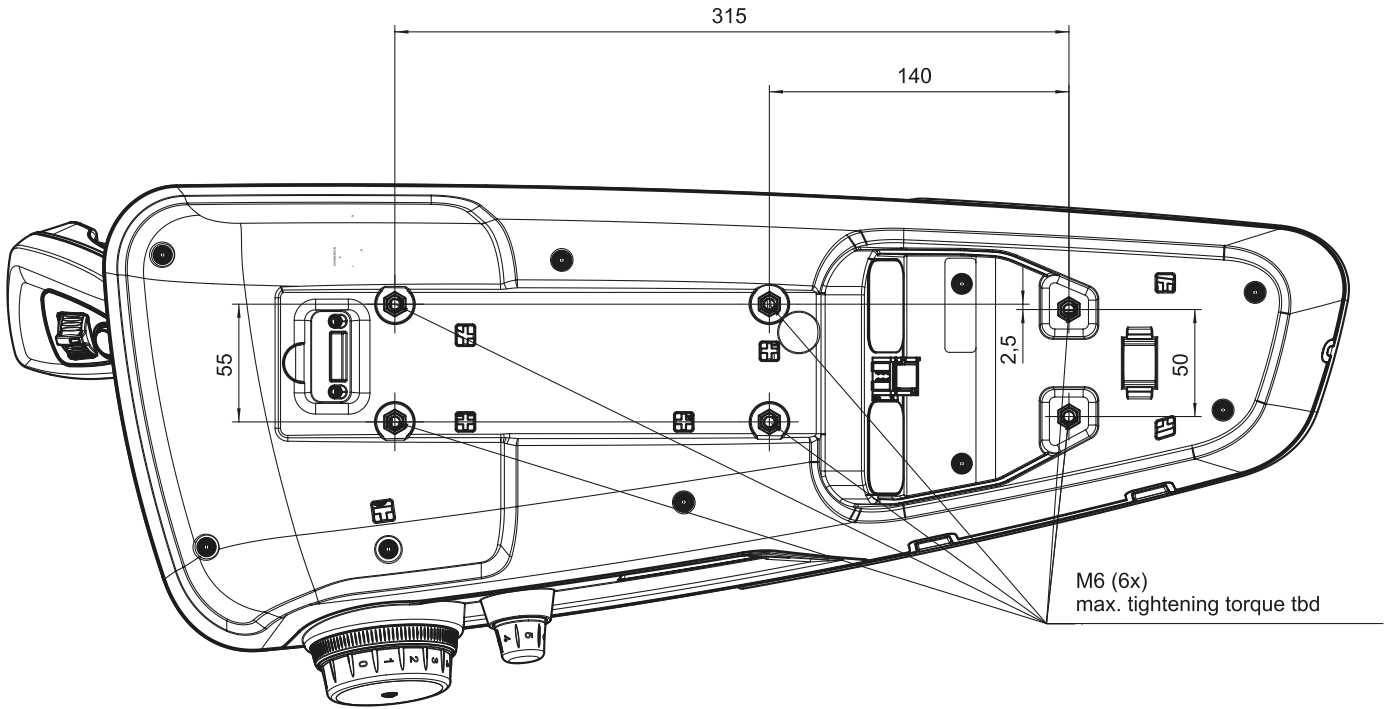
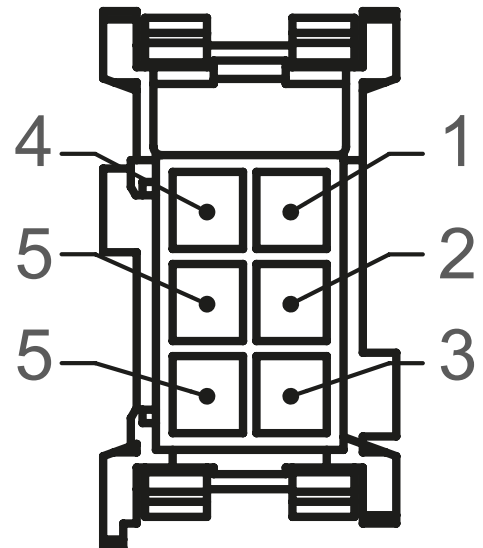


IMAGE 4/4

## connector

Tyco Junior Power Timer  
Housing 965641-3  
Locking plate 968271-1  
Terminal 1-962841-1



### Electrical data

Attribute	225MA...
Polarity reversal protection	yes
EMC immunity (Norm)	EN ISO 14982:2009
EMC emission (Norm)	EN ISO 14982:2009
Operating voltage min.	9 V DC
Operating voltage max.	33 V DC
Current consumption	5000 mA
Short-circuit resistance to GND	yes
Short-circuit resistance to supply	no
Fieldbus system	CAN
Protocol	J1939
Node ID / Source Address	Variable/adjustable
Transmitting cycle	Variable/adjustable ms
Bus terminating resistor	no
Baud rate	250 500 kBaud

### Properties

Attribute	225MA...
Housing colour	Upper shell Black grey RAL7021, lower shell Mouse grey RAL7005

### Material information

Attribute	225MA...
Housing material	PA610GF30

### Environmental conditions

Attribute	225MA...
Protection class, mechanical	IP44 ISO 20653
Protection class, electronic	IP53 ISO 20653
Operating temperature min.	-25 °C
Max. operating temperature	85 °C
Min. storage temperature	-40 °C
Max. storage temperature	85 °C

### Installation

Attribute	225MA...
Mounting type	screwed
Thread	M6

### Connection

Attribute	225MA...
Connector type	AMP Junior Power Timer