

OP AMP Amplifier Card

EEA-AMP-451-A-10 Series

General Description

This card has been developed as a universal element for system construction. The large number of different OP AMP circuits, individual assignment to solder terminals and the possibility of external linking of the individual OP AMPs, make this card very versatile.

Features and Benefits

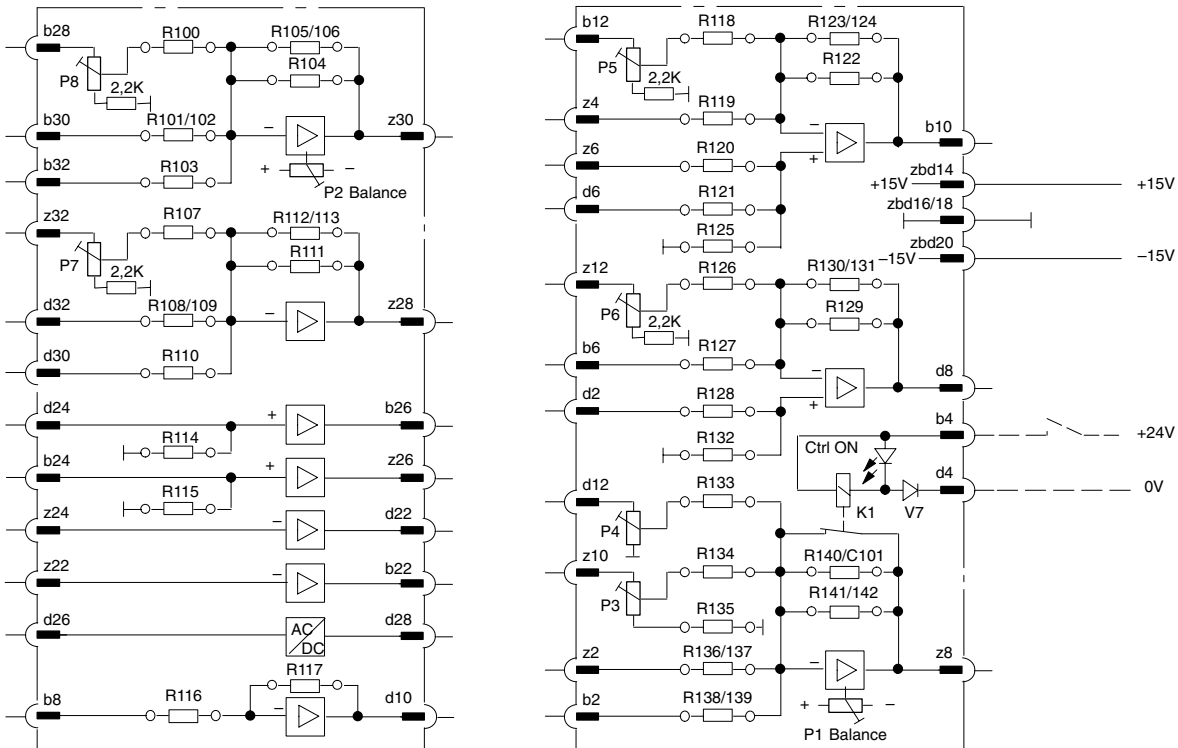
- 11 OP AMP circuits.
- Assignment to solder terminals, therefore highly flexible.
- External wiring of individual OP AMPs possible.
- 8 spindle-drive resistors on the front panel, for fine adjustment of the OP AMPs.
- 1 relay for enabling an amplifier.
- An LED on the front panel indicates the switching status.

Operating Data

Supply voltage $\pm 15V \pm 5\%$,
	x 50 mA max.
Relay voltage $24V \pm 20\%$,
	approx. 30 mA
Differential amplifiers 2
Summing circuits 2
P/I controllers 1
Millivolt rectifiers 1
Inverters 3
Voltage followers 2
Male connector DIN 41612, F48
Mass 0,14 kg (0.3 lb)

Connection Diagram

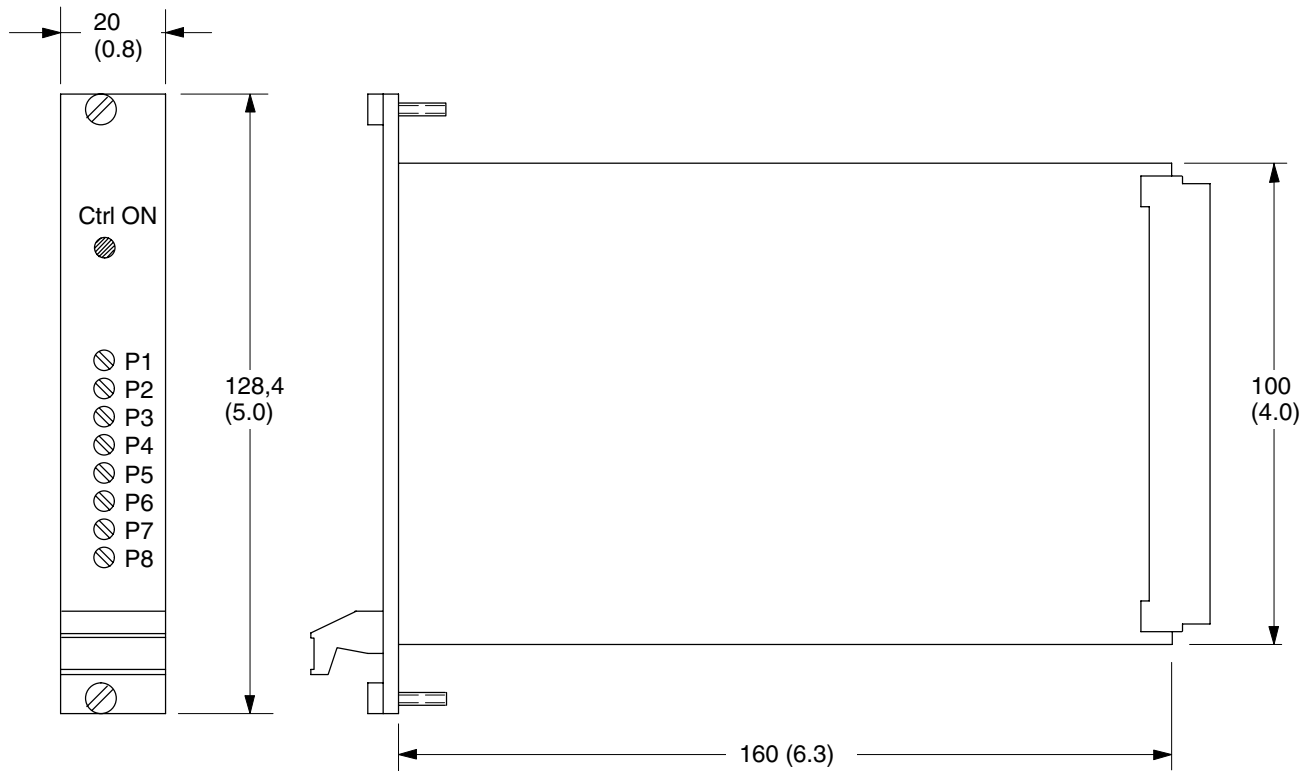
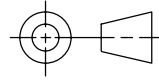
EEA-AMP-451-A-10



Installation Dimensions

mm (Inch)

3rd angle
projection



Eaton Hydraulics
15151 Highway 5
Eden Prairie, MN 55344
Telephone: 612 937-7254
Fax: 612 937-7130
www.eatonhydraulics.com

46 New Lane, Havant
Hampshire PO9 2NB
England
Telephone: (44) 170-548-6451
Fax: (44) 170-548-7110

