

# WOLFLITE® H-251MK2 HANDLAMP



WITHOUT COMPROMISE

H-251MK2 ZONES **1** **2**

## PRODUCT INFORMATION

The WolfLite® H-251MK2 is a rechargeable handlamp approved by Baseefa and suitable for use in hazardous Zones 1 and 2. Applications include the petrochemical and offshore industries, fire-fighting, gas and water distribution, wherever a potentially explosive atmosphere may occur.

**The rechargeable battery pack is made up of two sealed lead acid cells assembled into robust casing.**



## KEY INFORMATION

### LIGHT OUTPUT/DURATION/POWER

- Long life high output Krypton bulb
- Up to 80lm (at source)
- 4-5 hrs Battery Duration

### CERTIFICATION

- Lloyds Register Type Approved
- Safe for use in Gas Zones 1 and 2
- T3 Temperature Class
- IP54 ingress protection
- IIC Gas approval

### FEATURES

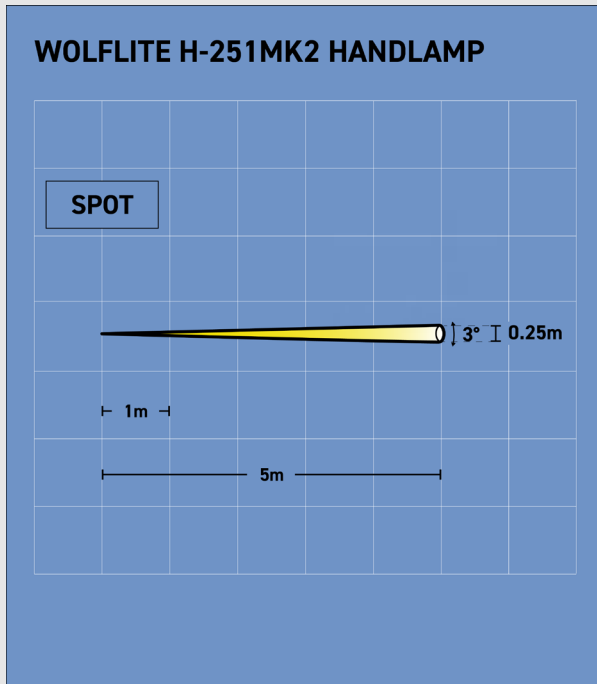
- Anti roll foot allowing it to be placed securely on base
- Powered by rechargeable sealed lead acid battery
- Supplied with cells compliant with T3 certification
- Reliable efficient chargers
- User and maintenance friendly
- Proven impact resistance
- Single handed switching, easy operation even with gloves hands
- Suitable for cyclic and short term standby application
- Supplied with shoulder strap

EX (NON ATEX)



# TECHNICAL INFORMATION

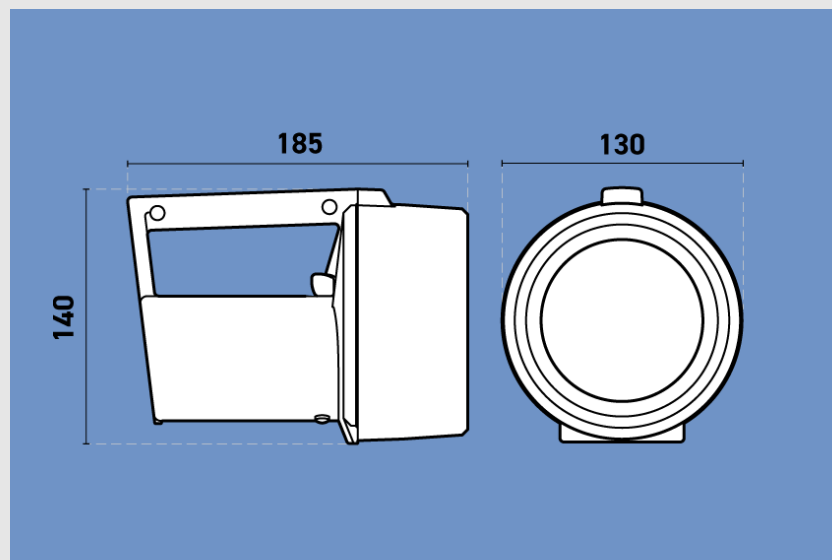
## LIGHT OUTPUT DIAGRAM



3.6W Spot Beam (approx. 3°)  
Peak luminous intensity at **5m 900lux**

## PRODUCT DIMENSIONS

### WOLFLITE® H-251MK2 HANDLAMP



MEASUREMENT MM

**EX (NON ATEX)**



# TECHNICAL INFORMATION

## WOLFLITE® H-251MK2 HANDLAMP

PRODUCT REFERENCE		H-251MK2
PRODUCT DESCRIPTION		Rechargeable Safety Handlamp, Battery Charged Internally
CODE		EEx e s II T3
TYPE OF PROTECTION		“e” increased safety, “s” special protection
AREA OF CLASSIFICATION (GAS)		Zones 1 and 2, Gas Groups IIA, IIB, IIC
TEMP. CLASSIFICATION (GAS)		T3
AMBIENT TEMPERATURE		-20°C to +40°C
CERTIFICATE		BASEEFA Ex 81142
ENCLOSURE		Polypropylene
LENS		Toughened Glass (6mm)
BEAM TYPE		Spot
LIGHT SOURCE:	PART NUMBER	<b>H-26P</b>
	TYPE	Krypton Filled Filament Bulb
	VOLTS	3.6V
	WATTS	3.6W
	OUTPUT	80lm (at 4.1V)
	LIFE	100hrs
POWER SOURCE:	PART NUMBER	<b>H-16E</b>
	TYPE	Rechargeable Battery, Sealed Lead Acid
	VOLTS	4V
	CAPACITY	5Ah
	LIFE	Up to 500 Rechargeable Cycles
	LIGHT DURATION	4-5hrs
INGRESS PROTECTION		IP54
WEIGHT		1.5Kg (incl. battery)
COMPATIBLE CHARGER		C-251 HV or C-251 LV

All information has been gathered under laboratory conditions, the user must regard the values given as approximate. Changes may be made to the above specification without notification, details are available on request.



Wolf Safety Lamp Company  
Saxon Road Works, Sheffield S8 0YA, UK

T: +44 (0) 114 255 1051  
E: [info@wolfsafety.com](mailto:info@wolfsafety.com)

