

profile magnetic cylinder with piston rod brake series RWS and RWD



design	profile magnetic cylinder with double or rather single acting piston rod brake
heads	aluminum alloy
piston-rod	steel chromium plated
tie-rod	stainless steel X10CrNiS 1809
cylinder tube	aluminum profile hard anodized
seals	NBR
cushion	pneumatic, adjustable
ambient temperature	-10°C...+80°C
medium temperature	0°C...+40°C
lubrication	not necessary
medium	filtered compressed air
maximum operating pressure	2...10bar
max. braking pressure AA	7bar
information	CAD-files can be loaded on the STASTO Store under www.stasto.eu

type code

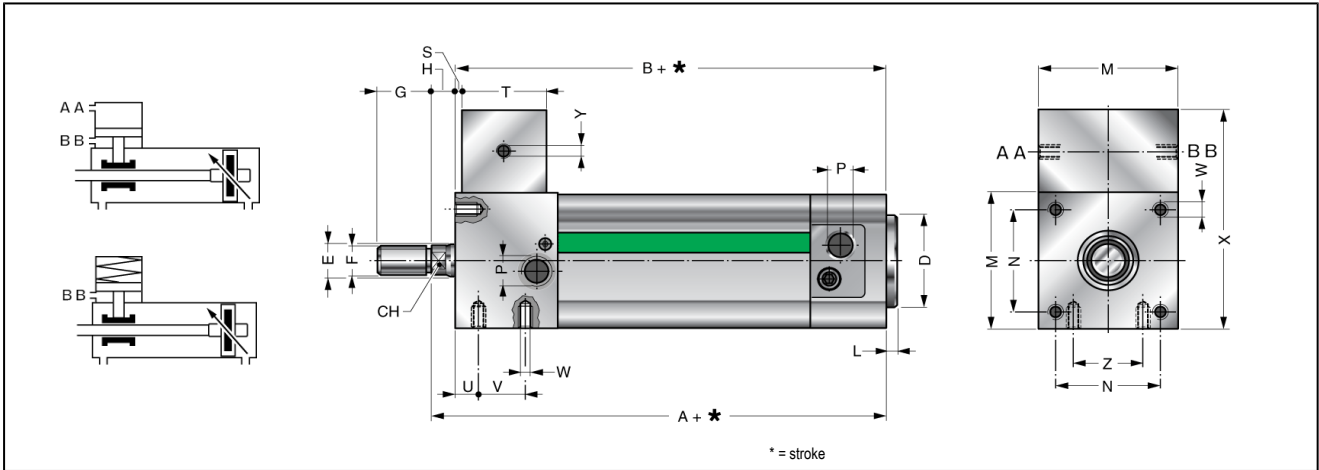
RW _	__ / ___
D double acting brake	32 ø32 stroke [mm]
S single acting brake	40 ø40
	50 ø50
	63 ø63
	80 ø80
	100 ø100

standard strokes, cushion length

Ø	25	50	80	100	125	160	200	250	300	350	400	450	500	cushion length
32	•	•	•	•	•	•	•	•	•	•	•	•	•	24
40	•	•	•	•	•	•	•	•	•	•	•	•	•	27
50	•	•	•	•	•	•	•	•	•	•	•	•	•	30
63	•	•	•	•	•	•	•	•	•	•	•	•	•	30
80	•	•	•	•	•	•	•	•	•	•	•	•	•	36
100	•	•	•	•	•	•	•	•	•	•	•	•	•	38

non-standard stroke on request

dimension



Ø	A	B	CH	D	E	F	G	H	L	M	N	P	S	T	U	V	W	X	Y	Z	type
32	120	113	10	30	12	M10x1,25	20	7	4	50	32,5	G1/8	2	40	19	25	M6	89	G1/8	20	RW. 32/...
40	135	127	13	35	16	M12x1,25	24	8	4	55	38	G1/4	2	45	16	35	M6	99	G1/8	26	RW. 40/...
50	144	133	17	40	20	M16x1,5	32	11	4	65	46,5	G1/4	4	45	20	35	M8	109	G1/8	30	RW. 50/...
63	158	145	17	45	20	M16x1,5	32	13	4	80	56,5	G3/8	2	50	20	35	M8	129	G1/8	40	RW. 63/...
80	194	178	21	45	25	M20x1,5	40	16	4	100	72	G3/8	8	60	28	48	M10	159	G1/8	50	RW. 80/...
100	214	193	26	55	30	M20x1,5	40	21	4	115	89	G1/2	8	65	30	55	M10	179	G1/8	65	RW. 100/...

tolerance at break

speed	RWD	RWS
50 mm/s	+/- 0,3 mm	+/- 0,8 mm
100 mm/s	+/- 0,5 mm	+/- 1,2 mm
150 mm/s	+/- 1,3 mm	+/- 2,2 mm

permissible thrust acting on the piston rod

	Ø	at 2 bar (AA)	at 3 bar (AA)	at 4 bar (AA)	at 5 bar (AA)	at 6 bar (AA)	at 7 bar (AA)	type
	32	60 daN	90 daN	120 daN	150 daN	180 daN	210 daN	RWD 32/...
	40	80 daN	130 daN	180 daN	230 daN	280 daN	330 daN	RWD 40/...
	50	90 daN	150 daN	210 daN	270 daN	330 daN	390 daN	RWD 50/...
	63	145 daN	220 daN	290 daN	360 daN	440 daN	510 daN	RWD 63/...
	80	220 daN	350 daN	500 daN	650 daN	800 daN	950 daN	RWD 80/...
	100	350 daN	525 daN	700 daN	880 daN	1050 daN	1230 daN	RWD 100/...
minimum pressure for brake releasing: 2 bar (BB)								
	32	90 daN						RWS 32/...
	40	150 daN						RWS 40/...
	50	180 daN						RWS 50/...
	63	260 daN						RWS 63/...
	80	380 daN						RWS 80/...
	100	500 daN						RWS 100/...
minimum pressure for brake releasing: 4 bar (BB)								

the indicated permissible longitudinal force (kg.) on the piston rod is valid under the condition of a plentiful lubrication. with minimal lubrication, the amount of permissible longitudinal force is increased by 10%.

illustrations are for information only and are non-binding
all designs, configurations, measurements and materials are subject to change without prior notice