



Three Phase Squirrel Cage Induction Motor

Motor type Q3H90L2D40



Electrical Data

RATED VALUES							STARTING VALUES				BREAKDOWN	EFFICIENCY			EFFICIENCY CLASS
VOLTAGE	POWER		SPEED	CURRENT	TORQUE	Cos φ	CURRENT		TORQUE		TORQUE	%			IEC 60034-30-1
V	kW	Hz	rpm	A	Nm	4/4	I _A / I _N	M _A / M _N	Mk/ Mn		Nm	4/4	3/4	2/4	IE
							Y D	Y D	Y D	Y D					
230/400	2,2	50	2917	7,4/4,3	7,22	0,87	9,2 -	3,1 -	4,9			IE3-85,9%	86,4	85,2	IE3
265/460	2,5	60	3510	7,6/4,4	6,80	0,88	8,9 -	2,9 -	4,8			-	-	-	

Mechanical Data

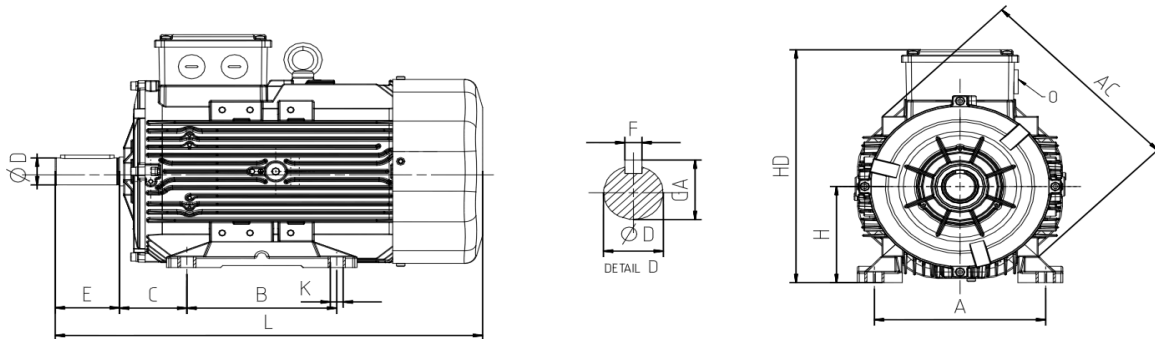
Bearing DE	6305-ZZ	Color	RAL 7031
Bearing NDE	6205-ZZ	Motor protection	PTC
Lubricants	Shell Gadus S2 V100Q2	Method of cooling	IC 411
Condensation drain hole	No	Terminal box position	Top
External earthing terminal	Yes	Material of terminal box	Aluminium
Vibration class	A	Terminal plate thread	M5
Insulation Class	F	Cable gland	1xM25
Duty type	S1	Clamping range	13-18 mm
Direction of rotation	Clockwise	Mounting type	IM 1001 (B3)
Housing material	Aluminium		
Type of balancing	Half Key		

Environmental Data

Others

Ambient Temperature	-20 / + 40 °C	Type of protection	IP 55
Altitude above sea level	1000 m	Sound Pressure Level 50/60Hz dBA	62
		Moment of Inertia (kg.mm ²)	0,0028338
		Standard	IEC 60034-1
		Weight (Kg)	18,6

Dimensions



Main Dimensions		Foot Mounted Motors						Shaft				Flange Mounted Motors			
AC	L	B	A	H	HD	K	C	D	E	GA	F	P	N	M	R
172	344	100-125	140	90	223	10	56	24	50	27	8	-	-	-	-