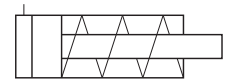


- Single acting cylinders with front spring
- Non-magnetic
- Version with threaded or non-threaded piston rod
- High reliability and long lifetime



## Materials

Barrel: nickel plated brass

Piston-rod: stainless steel

Nuts: zinc coated steel

Seals: polyurethane

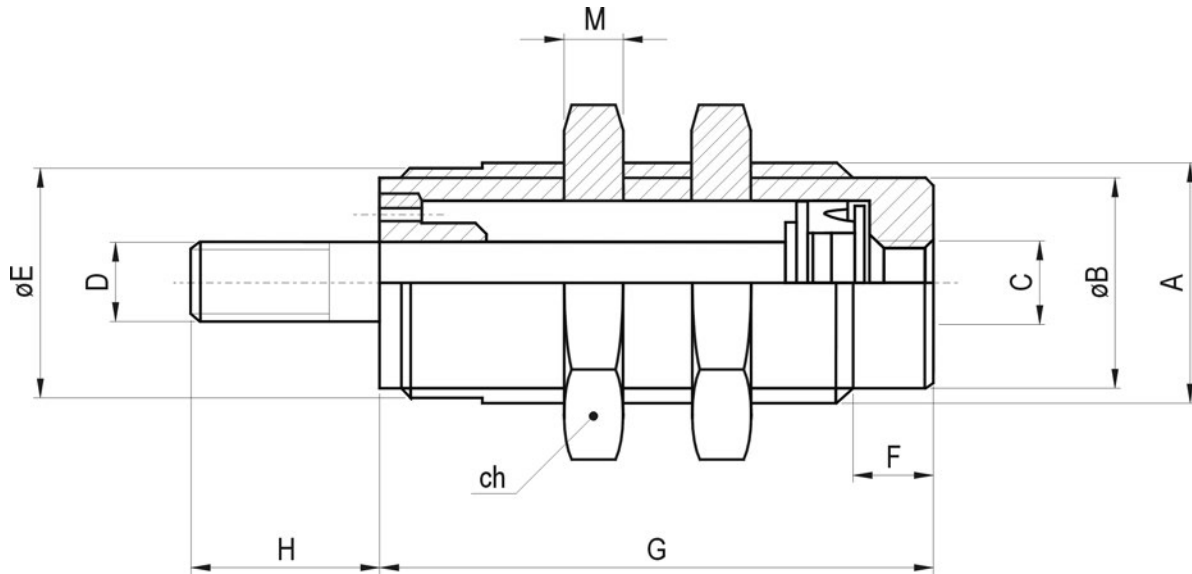
Spring: steel

## WARNING

- Avoid side loads on piston rod
- Do not load the piston rod during the spring retraction

Operating pressure	2 ... 7 bar (30 ... 101 PSI) 0.2 ... 0.7 MPa
Temperature range	-15 + 60°C (5-140° F)
Bores	6; 10; 16 mm
Strokes	5; 10; 15 mm
Fluid	50µ filtered, lubricated or non lubricated air

# Cartridge cylinders



bore	A	B	C	D		øE	F	H	M	ch	G		
				threaded piston rod	non-threaded piston rod						cylinder stroke		
											5	10	15
6	M10x1	8.5	M5	M3	ø3	9	5	8	3	14	19.5	25.5	32.5
10	M15x1.5	13	M5	M4	ø5	14	5	11.5	4	19	20.5	27	34
16	M22x1.5	19	M5	M5	ø5	20	6	14	5	27	23.5	29.5	36

## FORCES at 6 bar (87 PSI)

bore	press force	return spring force	
		stroke 0	stroke end
6	12 N	1.2 N	3.8 N
10	35 N	2.7 N	7.3 N
16	101 N	3.3 N	6.6 N

## WEIGHTS

bore	cylinder stroke		
	5	10	15
6	10 g	13 g	15 g
10	27 g	32 g	36 g
16	71 g	78 g	87 g

## ORDER CODES

cylinders with threaded piston rod			
bore	stroke		
	5	10	15
6	20.100.4	20.101.4	20.102.4
10	20.103.4	20.104.4	20.105.4
16	20.106.4	20.107.4	20.108.4

cylinders with non-threaded piston rod			
bore	stroke		
	5	10	15
6	20.109.4	20.110.4	20.111.4
10	20.112.4	20.113.4	20.114.4
16	20.115.4	20.116.4	20.117.4