



New Product

ALB40317 UNIVERSAL DIESEL INJECTOR PULLER

SAVES MONEY. DO NOT DAMAGE INJECTOR.

This extractor allows to dismantle Common rail or Piezo injector types for Denso, Siemens, Bosch & Delphi brands from 1999 to 2017.

The main idea is to fix the extractor instead of the Diesel inlet connection fitting thanks to an extra-strong threaded coupler which is exactly the same size as the original fitting.

This avoids the dismantling of the electrical part of the injector and the significant extra costs this involves and the trouble that goes with it (return to aftersales, 150€ per injector...).

If the fitting is undismantable you can use the two couplers included in the kit. They will wrap the fitting and come against the injector to form a consolidated and very strong whole.

The dismantling can be done in rotation fixing only the handle. It can also be done, for the most difficult cases, in rotation and axial extraction thanks to the sliding hammer.

The kit also includes two spacers to adjust distance between the injector axis and the sliding hammer.

This kit is totally universal and unique. It enables all types of moderately frozen or caked injectors to be removed without dismantling the electrical part, even on the latest vehicles.



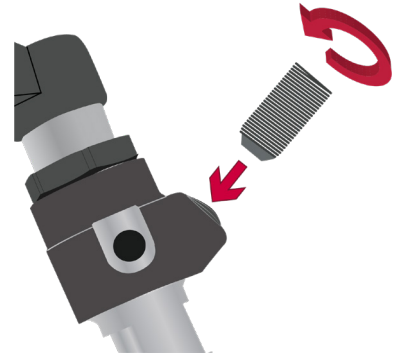


THE KIT INCLUDES:

2 x extra-strong threaded couplers



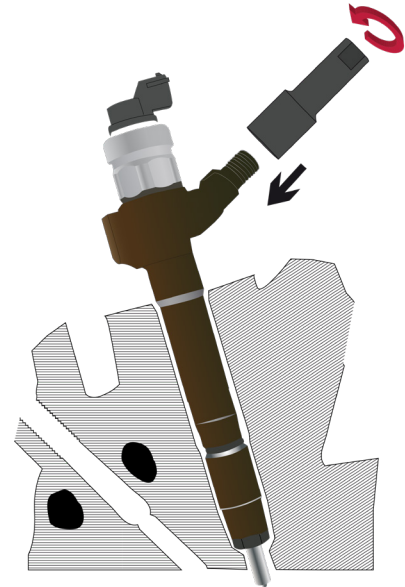
For a perfect fit
between handle and
injector



1 x M12 coupler



For older generation
Common Rail Denso,
Siemens, Bosch and
Delphi when it is NOT
possible to remove the
coupler

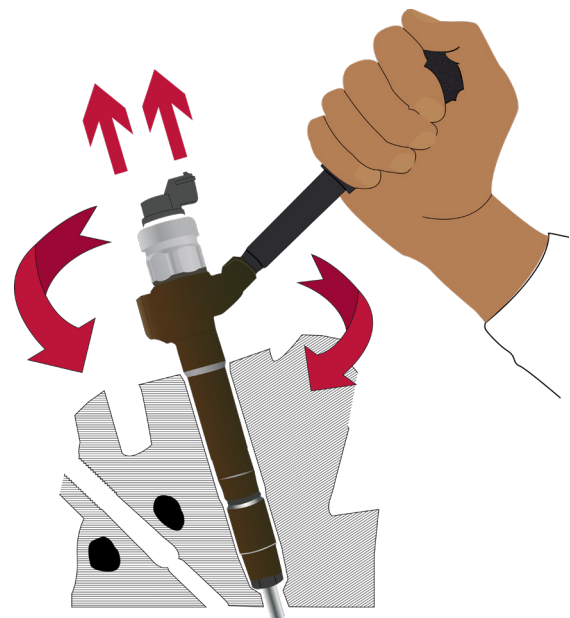


1 x M14 coupler



For new generation
Piezzo Denso, Siemens,
Bosch and Delphi when
it is NOT possible to
remove the coupler

1 x rotation handle



THE KIT INCLUDES:

1 x sliding hammer



1 x drive-shaft

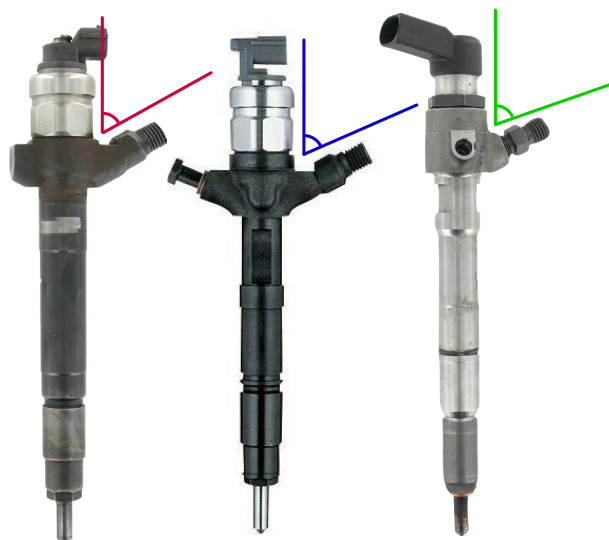
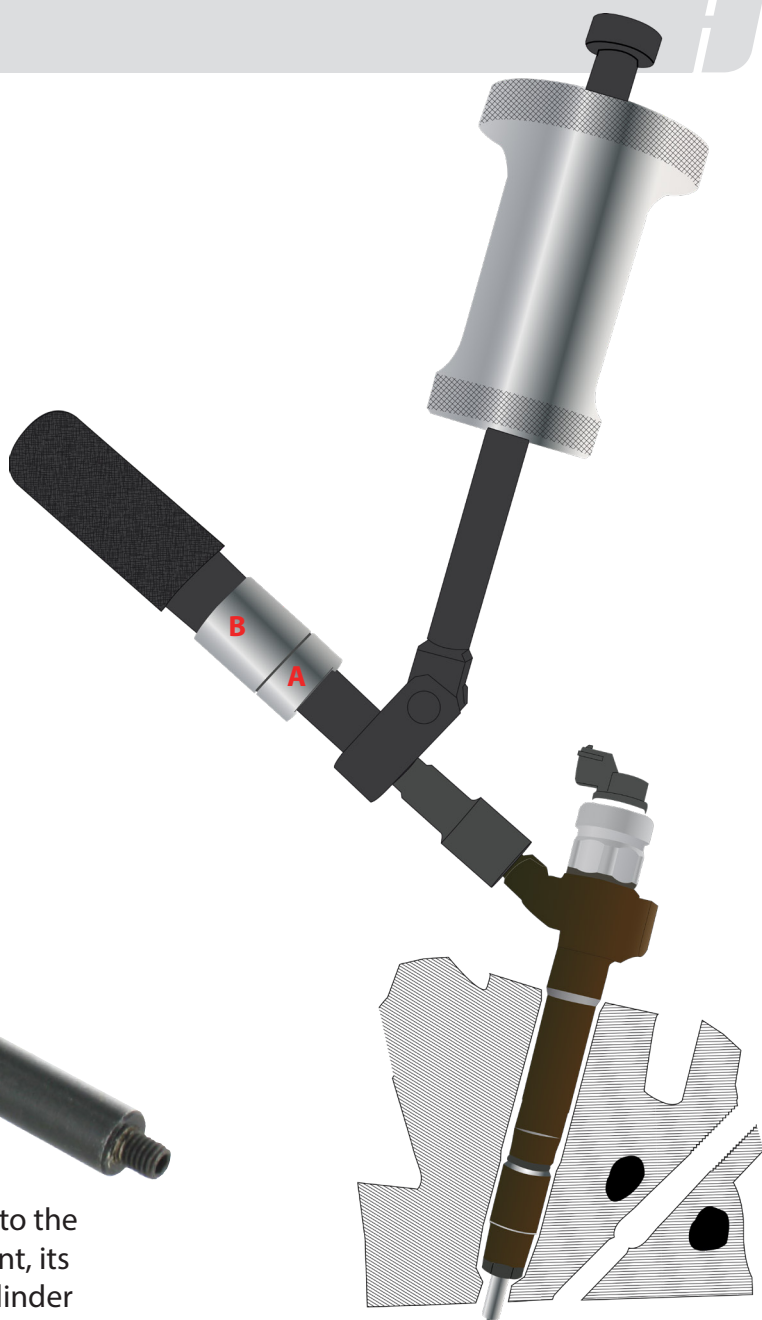
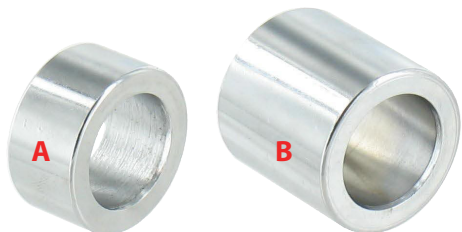


1 x articulation



Allows you to adapt to the injector environment, its disposition in the cylinder head and the angle of its Diesel inlet coupling

1 x 15mm spacer + 1 x 30mm spacer



ADVANTAGES OF UNIVERSAL INJECTOR PULLER:

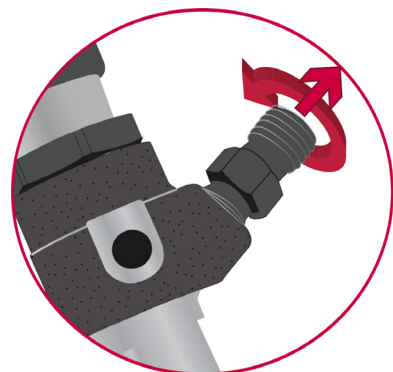
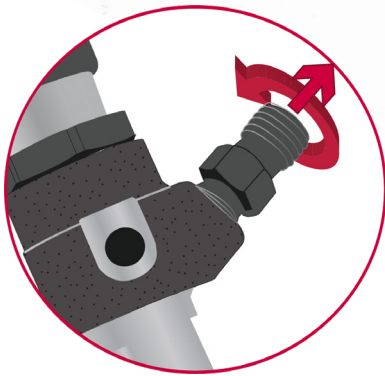
1. It is UNIVERSAL

It works on all types and brands of Common Rail and Piezo injectors



- older generation Common Rail Denso, Siemens, Bosch and Delphi

- newer generation Piezo Denso, Siemens Bosch and Delphi that are dismantable



- new generation Piezo Denso, Siemens Bosch and Delphi that are undismantable

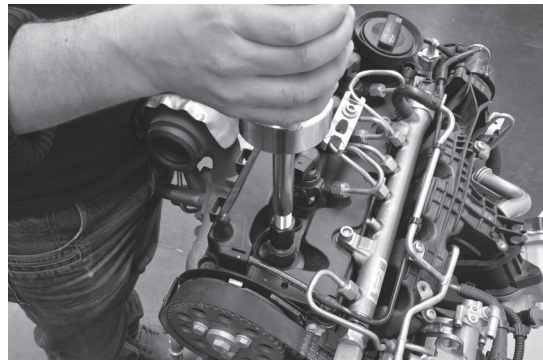
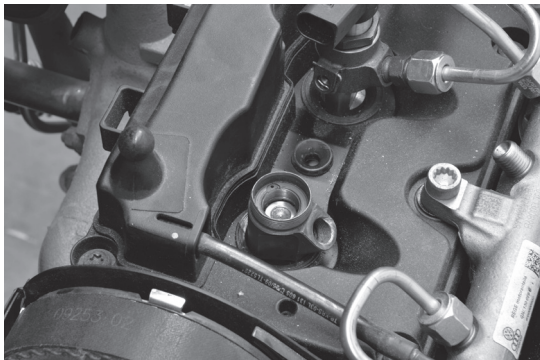




2. It allows to work without the need of dismantling the electrical part

Prevents excessive extra costs!

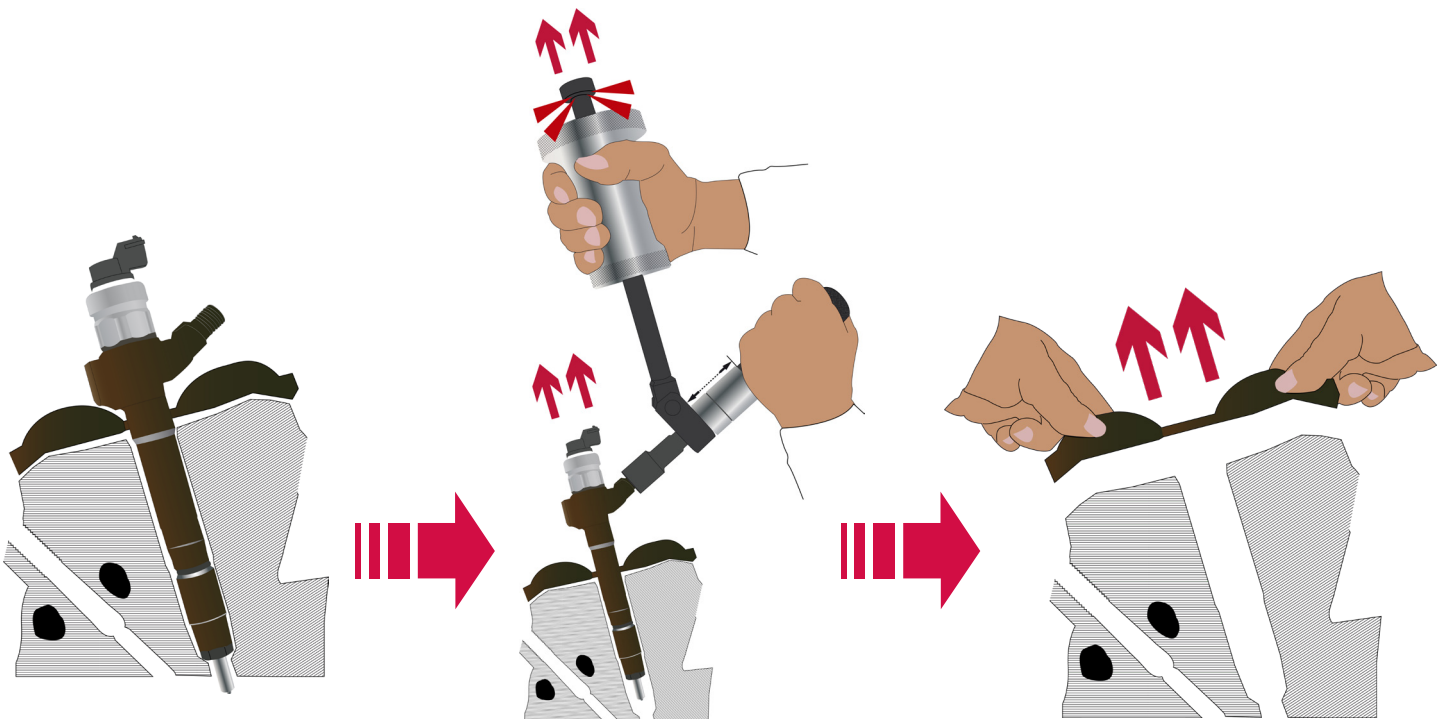
When you have to dismantle the electrical part, like illustrated below, you can not put it back yourself afterwards. You need to send the dismantled injector back to the factory and it costs you approximately 150€ per injector in aftersales.



3. Removal of valve cover

On modern engines, a lot of operations involve the removal of the valve cover. This often means removing the 4 injectors beforehand.

With the universal injector puller, removing the valve cover becomes an easy task.





Quick math

- Removing the electrical part is 150€ per injector. Which means it will cost 600€ just for the injector to be fixed as a « collateral damage »
- Thanks to our system which doesn't require to remove the electrical part, you save $4 \times 150€ = 600€$ on a 4 cylinders engine
- Thinking this way, the profitability of the kit is great!

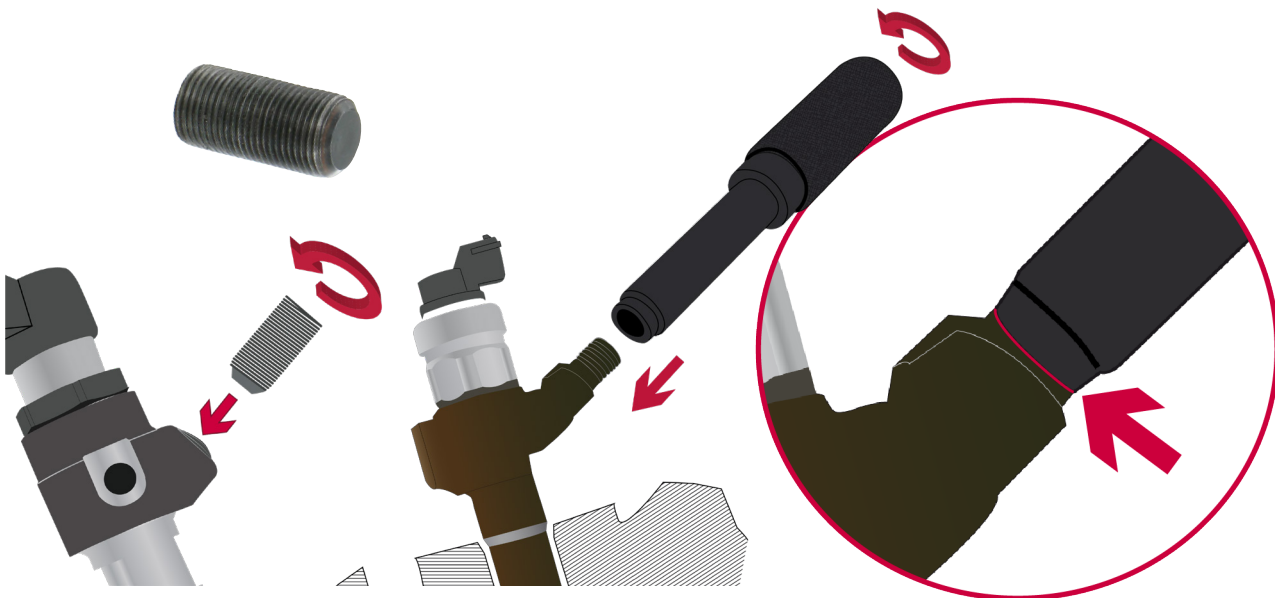
Examples of concerned engines

- Peugeot 1.6HDI DV6C
- Renault/Opel/Nissan M9R
- Mini N47
- BMW w16
- and many more...

Operations involving to remove the valve cover

- Valve cover gasket change
- Head gasket change
- Access to the camshaft
- Access to the rocker arms and pushrods
- And so on...

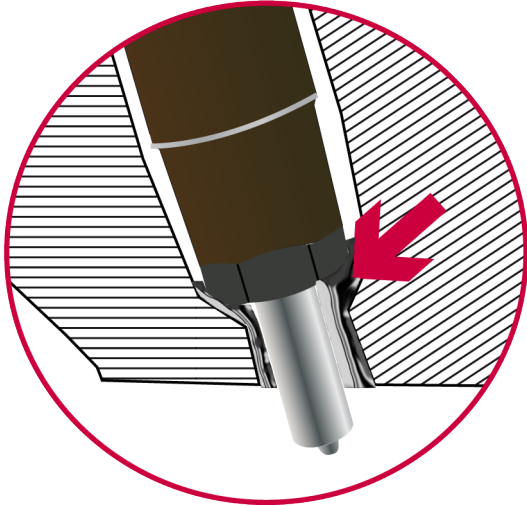
4. It never breaks during extraction thanks to heavily strong threaded coupler



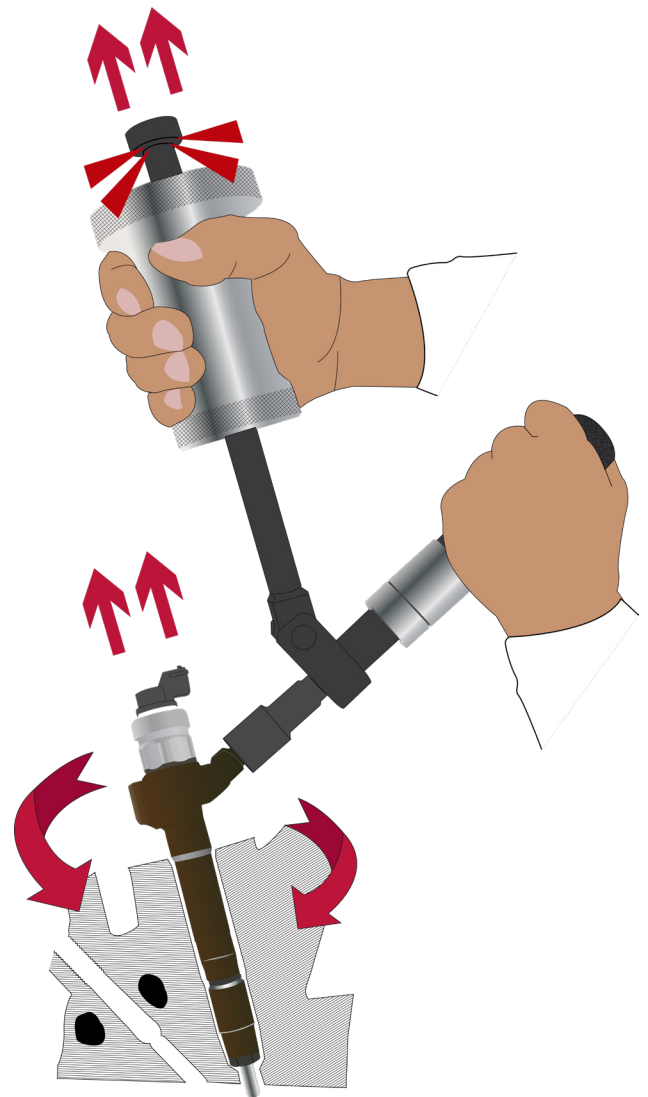
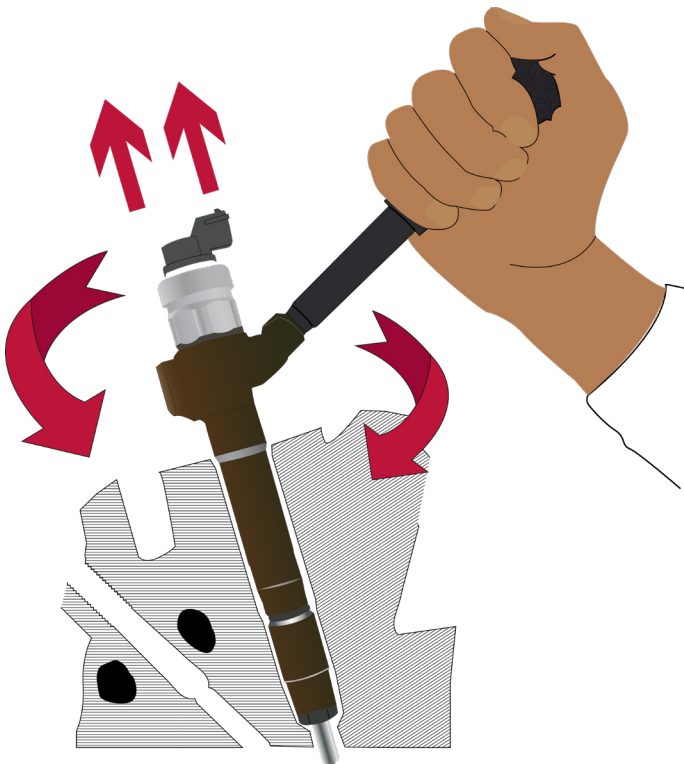
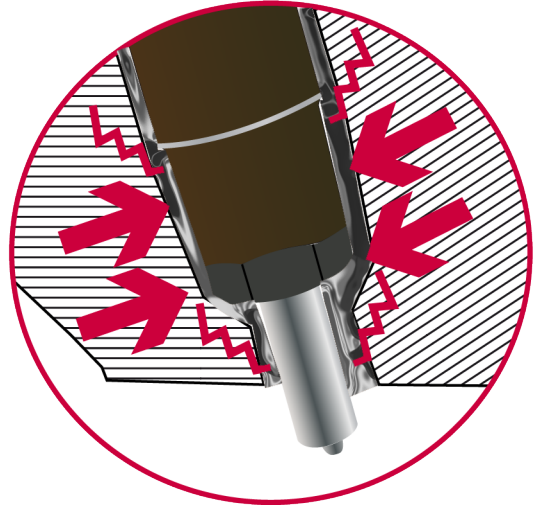
The threaded coupler allows the handle to be consolidated with the injector so no possible breaks.

5. It extracts any stuck injectors

- extraction through rotation
for slightly stuck injectors



- extraction through rotation with slide hammer
OR/AND extraction with slide hammer
for much more stuck injectors

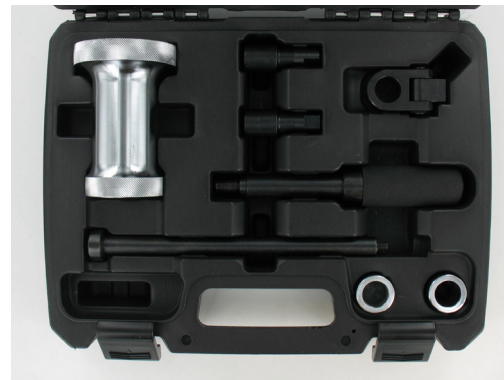
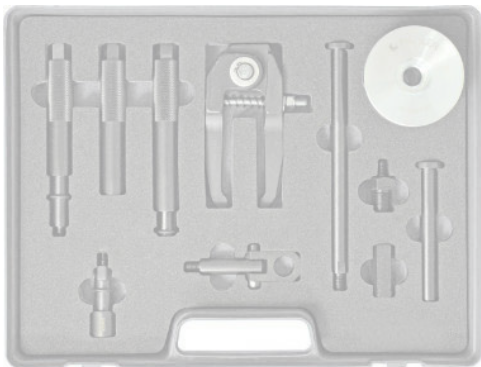


FAQ

• Is this kit universal ?

Yes, it works on all types and brands of Common Rail and Piezo injectors like older generation Denso, Siemens Bosch and Delphi or new generation Piezzo.

• What are the advantages of this kit compared to other kits available on the market?



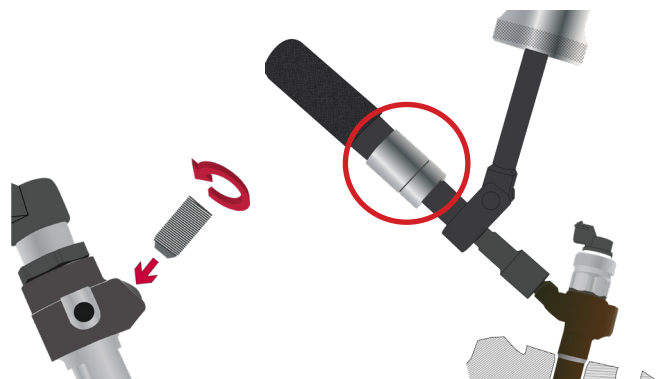
Hard to grip



Ergonomic design fits the mechanics hand



Only 4 sizes available : not very flexible



Threaded coupler and 2 spacers allow total flexibility and replace the need for several shaft sizes



On modern engines, that hook only fits on the injector in red below and tends to damage it



This kit is absolutely universal



- Does this extractor work in any case?

In 85% of cases it does the job (when the injectors are moderately stuck) but in some cases, when the injector is completely stuck, you might need a specific or hydraulic extractor.

[Click here for an online demonstration](#)