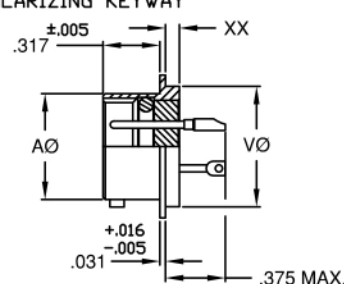
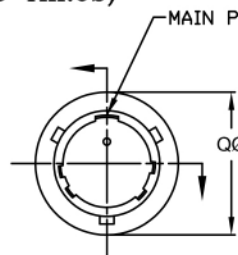
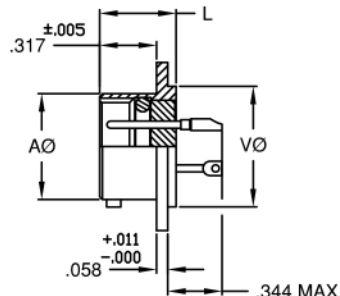
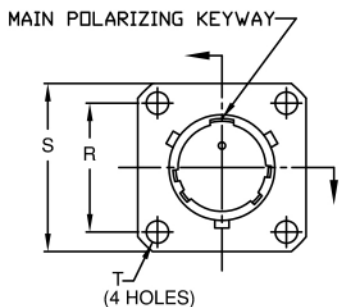


MINIATURE HERMETIC ELECTRONIC CONNECTORS-DJ SERIES

MIL-DTL-38999 SERIES II TYPE, COMMERCIAL EQUAL HERMETIC GLASS-TO-METAL SEALED (VACUUM / PRESSURE FEED THRU)

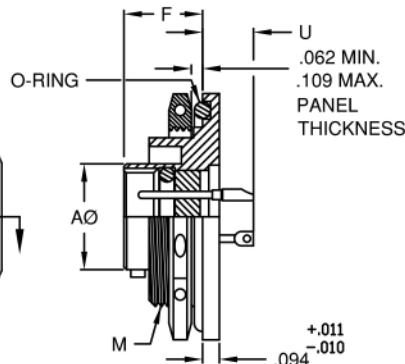
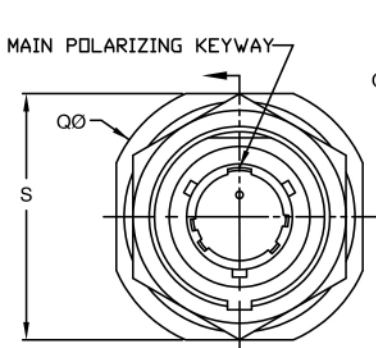


DJT02H - SQUARE FLANGE MOUNT CONNECTORS (MS27476 TYPE)

PART NO.	AØ +.001 -.005	L MAX.	R BSC C-C	S MAX.	T +.010 -.005	VØ +.001 -.005
DJT02H-8-#PN	.473	.453	.594	.828	.120	.562
DJT02H-10-#PN	.590	.453	.719	.954	.120	.672
DJT02H-12-#PN	.750	.453	.812	1.047	.120	.781
DJT02H-14-#PN	.875	.453	.906	1.141	.120	.906
DJT02H-16-#PN	1.000	.453	.969	1.234	.120	1.031
DJT02H-18-#PN	1.125	.453	1.062	1.328	.120	1.156
DJT02H-20-#PN	1.250	.453	1.156	1.453	.120	1.250
DJT02H-22-#PN	1.375	.453	1.250	1.578	.120	1.375
DJT02H-24-#PN	1.500	.484	1.375	1.703	.147	1.500

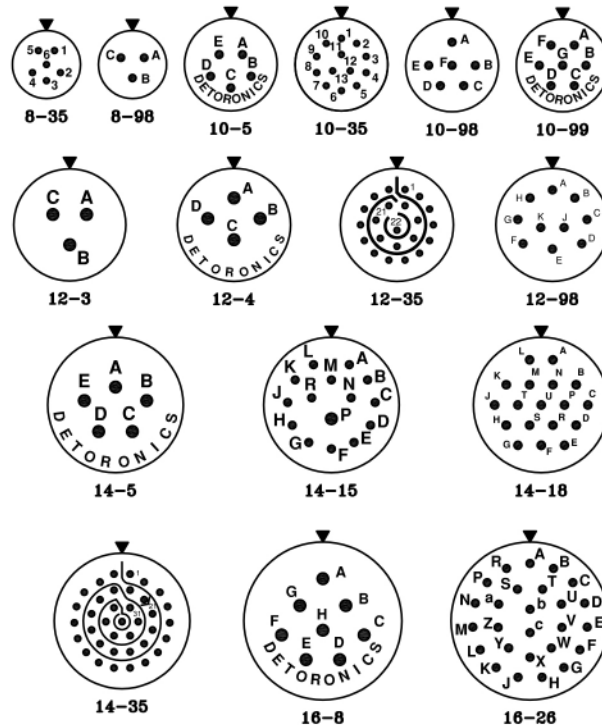
DJT1H - SOLDER MOUNT CONNECTORS (MS27478 TYPE)

PART NO.	AØ +.001 -.005	XX MAX.	QØ +.011 -.010	VØ +.001 -.005
DJT1H-8-#PN	.473	.125	.687	.562
DJT1H-10-#PN	.590	.125	.797	.672
DJT1H-12-#PN	.750	.125	.906	.781
DJT1H-14-#PN	.875	.125	1.031	.906
DJT1H-16-#PN	1.000	.125	1.156	1.031
DJT1H-18-#PN	1.125	.125	1.281	1.156
DJT1H-20-#PN	1.250	.125	1.375	1.250
DJT1H-22-#PN	1.375	.156	1.500	1.375
DJT1H-24-#PN	1.500	.156	1.625	1.500



DJT07H - JAM NUT MOUNT CONNECTORS (MS27477 TYPE)

PART NO.	AØ +.001 -.005	F ±.005	M THREAD † CLASS-2A	QØ ±.016	S ±.016	U MAX.
DJT07H-8-#PN	.473	.438	.8750-20 UNEF	1.375	1.250	.281
DJT07H-10-#PN	.590	.438	1.0000-20 UNEF	1.500	1.375	.281
DJT07H-12-#PN	.750	.438	1.1250-18 UNEF	1.625	1.500	.281
DJT07H-14-#PN	.875	.438	1.2500-18 UNEF	1.750	1.625	.281
DJT07H-16-#PN	1.000	.438	1.3750-18 UNEF	1.938	1.781	.281
DJT07H-18-#PN	1.125	.438	1.5000-18 UNEF	2.016	1.890	.281
DJT07H-20-#PN	1.250	.464	1.6250-18 UNEF	2.141	2.016	.250
DJT07H-22-#PN	1.375	.464	1.7500-18 UNS	2.265	2.140	.250
DJT07H-24-#PN	1.500	.464	1.8750-16 UN	2.390	2.265	.250



* ADD DESIRED INSERT ARRANGEMENT.

▼ INSERT ARRANGEMENT IS SHOWN IN NORMAL POSITION.

† AFTER PLATING, SUBJECT TO ACCEPTANCE USING A BASIC CLASS 3A GO GAGE.

H = O-RING. IF SILICONE INTERFACIAL SEAL IS REQUIRED, SUBSTITUTE 'Y' FOR 'H' IN PART NUMBER.

OTHER PIN PATTERNS AND INSERT POSITIONS MAY BE AVAILABLE - CONSULT FACTORY.

MATERIAL: STANDARD IS CRS SHELL, 52 NICKEL ALLOY PINS AND SILICONE O-RING ONLY.

STANDARD PIN IS SOLDER CUP TYPE. OTHER PIN TYPES ALSO AVAILABLE (EYELET, STRAIGHT) - CONSULT FACTORY.

STANDARD FINISH IS TIN PLATED SHELL AND PINS.

OTHER FINISHES ALSO AVAILABLE (GOLD, NICKEL, OLIVE DRAB, etc.) - CONSULT FACTORY.

SPECIALS CAN BE SUPPLIED TO MEET CUSTOMER SPECIFICATIONS - CONSULT FACTORY.

OUR CONNECTORS MATE WITH ANY PLUG WITH SOCKET CONTACTS WHICH MEET THE DIMENSIONAL REQUIREMENTS OF MIL-DTL-38999 AND MS27484.

GENERAL SPECIFICATIONS

AIR LEAKAGE: 1x10⁻⁷ CM³/SEC AT 15psi

INSULATION RESISTANCE: 5,000 megohms AT 500VDC

OPERATING TEMPERATURE: 39°F TO +201°F (4°C TO +90°C)

ENGAGING FACE PIN INSERTS

Detoronics Corporation

13071 ROSECRANS AVE, SANTA FE SPRINGS, CA 90670

TELE: (626) 579-7130 FAX: (626) 579-1936

www.detoronics.com