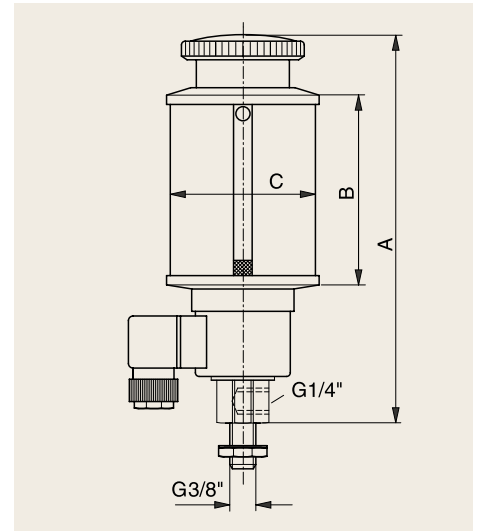


TYPE EOS-B

Nickel-plated/stained brass

- Electrical lubricator for 1 – 12 lubricating points in a single line design
- Dosing via separate drip-feed lubricators type ETR or MTR
- Large filling tray with screw cap/tank cap



Type	A*	B*	C*	Capacity	Cap	Plexiglas article no.	Natural glass article no.
EOS-B 140	150	60	60	140ml	Screw	311 600 001	311 600 009
EOS-B 200	170	80	60	200ml	Screw	311 600 017	311 600 025
EOS-B 500	210	100	80	500ml	Tank	311 600 033	311 600 041
EOS-B 1000	250	120	100	1000ml	Tank	311 600 049	311 600 057
EOS-B 2000	295	150	133	2000ml	Tank	311 600 065	311 600 073
EOS-B 3000	325	180	150	3000ml	Tank	311 600 081	311 600 089

Protection class: In accordance with DIN 40050 IP 20
 Duty cycle: 50% (max. 4 hours continuous with RT)
 Required nominal power: 14VA

* All dimensions in mm.

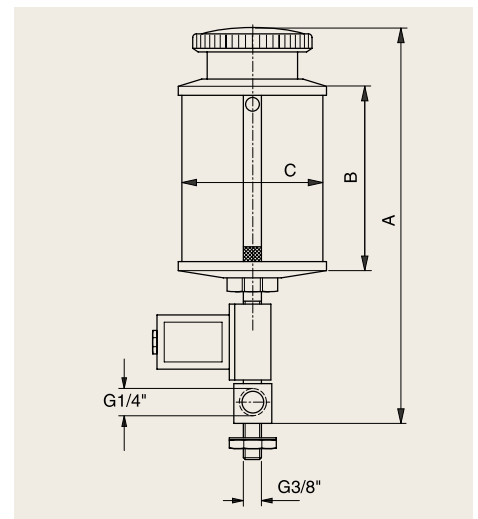
Article numbers apply for 230V, 50Hz.
 If a different voltage is required, state your specifications.

TYPE EOS-H

Nickel-plated/stained brass

Same function as EOS-B

- Higher solenoid valve protection class
- Can be used in humid conditions and with dust exposure
- Available with 5,000 and 9,000ml aluminium oil reservoir



Type	A*	B*	C*	Capacity	Cap	Plexiglas article no.	Natural glass article no.
EOS-H 140	170	60	60	140ml	Screw	311 700 001	311 700 009
EOS-H 200	190	80	60	200ml	Screw	311 700 017	311 700 025
EOS-H 500	225	100	80	500ml	Tank	311 700 033	311 700 041
EOS-H 1000	245	120	100	1000ml	Tank	311 700 049	311 700 057
EOS-H 2000	280	150	133	2000ml	Tank	311 700 065	311 700 073
EOS-H 3000	320	180	150	3000ml	Tank	311 700 081	311 700 089

Protection class: In accordance with DIN 40050 IP 65. Duty cycle: 100%
 Required nominal power: 8VA

Also available in protection Exs G4 (with 3m pressed cable).
 * All dimensions in mm

Article numbers apply for 230V, 50Hz.
 If a different voltage is required, state your specifications.