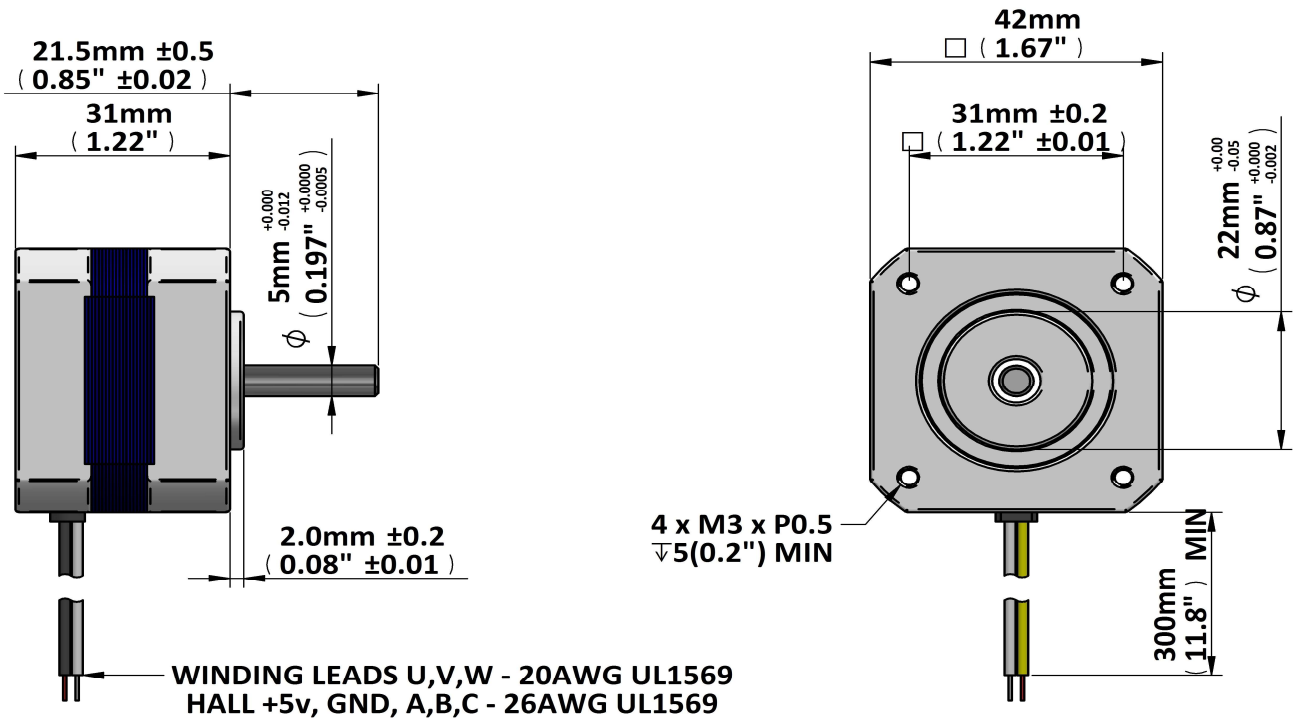




GEEPLUS

BLDC4231



Phase Leads, 20AWG, UL1569

Hall Sensor Leads, 28AWG, UL1569

U

V

W

5v

GND

A

B

C

Red

Yellow

Black

Red

Black

Blue

Green

White

Motor Winding Option	01A		
Motor Poles	8		
Voltage (VDC)	24VDC		
No-Load Speed (RPM)	5000 ±10%		
Rated Torque (Nm)	0,02		
Rated Speed (RPM)	4000 ±10%		
Rated Current (A)	<1		
Rated Power (W)	10		
Max (Stall) Torque (Nm)			
Back-EMF Constant (V/kRPM)			
Torque Constant (Nm/A)			
Resistance (Ω)			
Mass (kg)	0,25		
Shaft Runout (mm MAX)	0,025		
Insulation Class B			
Dielectric Strength 500VDC for 1min			
Ambient Temperature -10°C to +40°C			

Geeplus reserves the right to change specifications without notice

www.geeplus.com