

## Variable Area Flowmeters



GT1600 Model

# GT1600 Series

Industrial, Glass Tube Variable Area Flowmeter (Rotameter) for Liquids & Gases

### Features

- Configurable to retro-fit GT10xx, GT130x and Full-View
- 360 degrees rotatable viewing angle
- High quality materials for safety, in- and outdoor durability
- 316 stainless steel frame
- Polycarbonate safety shield
- 316/316L dual certified stainless steel process fittings
- Alarms for high- and low flow (optional for all flow ranges, either at time of order, or as add-on in the field)
- Flanged or threaded connections, available horizontal and vertical
- Panel- and wall mount options
- Easy in-situ maintenance: Clean or replace tube and float without removal from the process piping
- Adjust the scale to compensate for process variation
- Optional integral needle valve

### Product Specifications

|  |   |
|--|---|
| Flow Accuracy                          | Standard: $\pm 10\%$ , $\pm 5\%$ , $\pm 2\%$ Full Scale, Class 2.5 acc VDI/VDE<br>Optional: $\pm 1\%$ Full Scale, Class 1.6 acc VDI/VDE                             |
| Repeatability                          | $\leq 0.5\%$ Full Scale   |
| Capacities and Pressure Drops          | See Capacities  |
| Scales                                 | Transparent scale. Adjustable<br>Nominal Lengths: 75mm, 127mm and 250mm<br>Choice of direct reading units, millimeter or percentage of maximum flow with factor tag |
| Ambient Temperature Limits             | -4°F to 125°F   -20°C to 52°C   |
| Operating Fluid Temperature Limits     | 33 to 250°F   1°C to 121°C  |
| Mounting options                       | In-line<br>Panel-mount (see Dimensions)<br>Wall-mount (see Dimensions)  |
| Design compliant to ASME B31.1 & B31.3 |   |

[View GT1600 Product Page](#)

**BROOKS**<sup>®</sup>  
INSTRUMENT


*Beyond Measure*

|                           |  |   |                             |                                    |      |
|---------------------------|--|---|-----------------------------|------------------------------------|------|
| Process connections       | <b>NPT Threaded</b>                          |   | <b>Flanged ANSI 150# RF</b> |                                    |      |
|                           | Horizontal IN/OUT                            |   | Horizontal IN/OUT           |                                    |      |
|                           | Vertical IN/OUT                              |   | Vertical IN/OUT             |                                    |      |
|                           | Horizontal IN/ Vertical OUT                  |   | Horizontal IN/ Vertical OUT |                                    |      |
|                           | Vertical IN/ Horizontal OUT                  |   | Vertical IN/ Horizontal OUT |                                    |      |
| Pressure Ratings          |  | Maximum Operating Pressure (PSIG   bar) at Fluid Temperature  |                             |                                    |      |
|                           | Tube size                                    | <b>Threaded process connections</b>   |                             | <b>Flanged process connections</b> |      |
|                           |  | psi   | bar                         | psi                                | bar  |
|                           | *02  | 500   | 34.5                        | 240                                | 16.5 |
|                           | *06  | 450   | 31.0                        | 240                                | 16.5 |
|                           | 07   | 300   | 20.7                        | 240                                | 16.5 |
|                           | 08   | 250   | 17.0                        | 240                                | 16.5 |
|                           | 09   | 200   | 13.8                        | 200                                | 13.8 |
|                           | 10   | 175   | 12.1                        | 175                                | 12.1 |
| Materials of construction | Metering Tube (wetted)                       | Borosilicate glass  |                             |                                    |      |
|                           | Process fittings (wetted)                    | 316/316L (dual certified stainless steel)   |                             |                                    |      |
|                           | Float (wetted)                               | Sizes 2&6: Carboly® or 316/316L (dual certified stainless steel)<br>Sizes 7-10: 316/316L (dual certified stainless steel) |                             |                                    |      |
|                           | Float Stops (wetted)                         | Teflon®   |                             |                                    |      |
|                           | O-rings (wetted)                             | Viton®, Buna-N, Kalrez®, EPDM   |                             |                                    |      |
|                           | Housing                                      | 316 stainless steel   |                             |                                    |      |
|                           | Window & safety shield                       | Polycarbonate with UV inhibitor   |                             |                                    |      |
|                           | Hardware                                     | 316 stainless steel   |                             |                                    |      |
| Alarms                    | Tube size 02&06                              | Ring initiator high / low alarm   |                             |                                    |      |
|                           | Tube size 07-10                              | Reed switch high / low alarm  |                             |                                    |      |
|                           | Hazardous area approvals                     | Zone1/Zone2 (ATEX/IECex) – gas/dust. Protection method Ex m (no barrier)<br>Div1 (UL) – gas/dust. Protection method I.S.  |                             |                                    |      |
| Valve                     | Optional integral needle valve               |   |                             |                                    |      |
| Certifications            | International Calibration Certificate        |   |                             |                                    |      |
|                           | Material Certification to DIN 3.1            |   |                             |                                    |      |
|                           | Declaration of Compliance 2.1 Oxygen Service |   |                             |                                    |      |

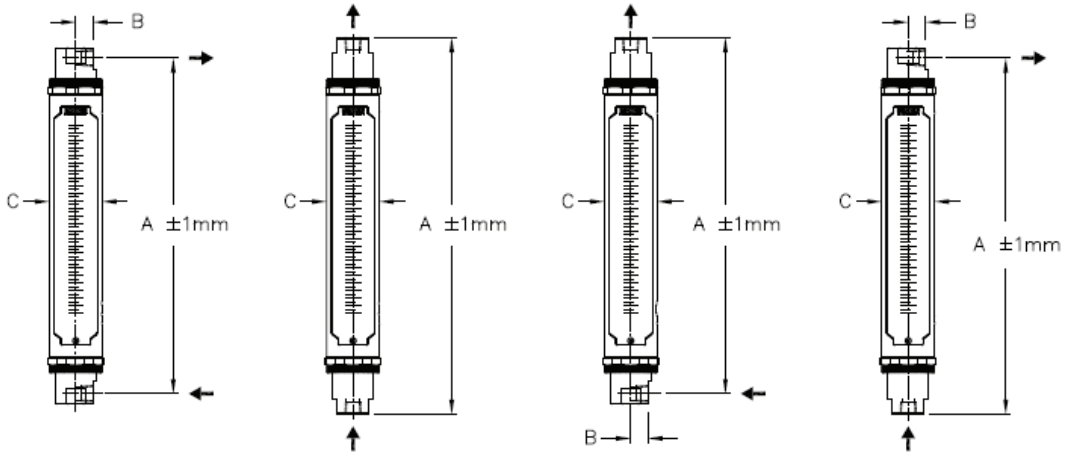
\*Pressure rating for tube sizes 02 & 06 are limited 20.7 bar (300 psi) when an alarm is included for threaded process connections.

# Product Specifications - Capacities

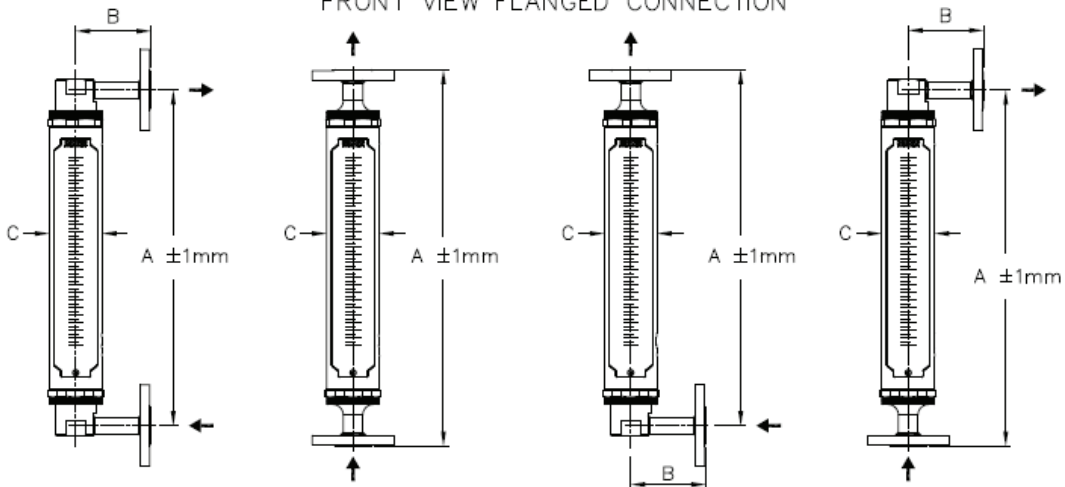
AA1:L48

|   |               |               | Full Scale - Water |      |                                |               | Full Scale - Air |       |                                |                   |                   |
|---|---------------|---------------|--------------------|------|--------------------------------|---------------|------------------|-------|--------------------------------|-------------------|-------------------|
| 127-Low Flow  | Tube          | Float         | cc/min             | l/h  | Pressure Drop<br>inch W.C./kPa | V.I.C.<br>cSt | SLPM             | ln/h  | Pressure Drop<br>inch W.C./kPa | Alarm<br>Type     |                   |
|  | Size 02       | R-2-127-AAAAT | 316SS              | 1.9  | 0.11                           | 0.7/0.17      | 1.0              | 0.11  | 6.7                            | 0.8/0.19          | Ring<br>Initiator |
|   |               | R-2-127-AAAAT | Carboly            | 3.7  | 0.22                           | 1.1/0.27      | 1.0              | 0.2   | 12                             | 1.2/0.3           |                   |
|   |               | R-2-127-AAT   | Carboly            | 7.5  | 0.45                           | 1.2/0.29      | 1.0              | 0.38  | 23                             | 1.5/0.37          |                   |
|   |               | R-2-127-DT    | 316SS              | 15   | 0.93                           | 0.9/0.22      | 1.0              | 0.68  | 40                             | 1.0/0.24          |                   |
|   |               | R-2-127-DT    | Carboly            | 25   | 1.5                            | 1.5/0.38      | 1.0              | 1     | 61                             | 1.7/0.42          |                   |
|   |               | R-2-127-AT    | 316SS              | 39   | 2.3                            | 1.1/0.27      | 1.0              | 1.4   | 86                             | 1.2/0.3           |                   |
|   |               | R-2-127-AT    | Carboly            | 59   | 3.5                            | 1.9/0.47      | 1.0              | 2     | 120                            | 2.1/0.52          |                   |
|   |               | R-2-127-BT    | 316SS              | 110  | 6.8                            | 1.8/0.45      | 1.0              | 3.9   | 230                            | 2.0/0.21          |                   |
|   |               | R-2-127-BT    | Carboly            | 170  | 10                             | 3.0/0.75      | 1.0              | 5.6   | 340                            | 3.3/0.83          |                   |
|   | R-2-127-CT    | Carboly       | 270                | 16   | 6.1/1.51                       | 1.0           | 9                | 540   | 4.8/1.2                        |                   |                   |
|   | Size 06       | R-6-127-AT    | 316SS              | 410  | 25                             | 6.1/1.53      | 1.0              | 14    | 850                            | 6.8/1.7           |                   |
|   |               | R-6-127-AT    | Carboly            | 620  | 37                             | 10.5/2.61     | 1.0              | 20    | 1200                           | 11.6/2.9          |                   |
|   |               | R-6-127-BT    | 316SS              | 1000 | 65                             | 30.1/7.5      | 1.0              | 35    | 2100                           | 33.3/8.3          |                   |
| R-6-127-BT  |               | Carboly       | 1500               | 95   | 57.8/14.4                      | 1.0           | 49               | 2900  | 64.2/16                        |                   |                   |
| 250-High Flow   | Tube          | Float         | GPM                | l/h  | Pressure Drop<br>inch W.C./kPa | V.I.C.<br>cSt | SCFM             | m3n/h | Pressure Drop<br>inch W.C./kPa |                   |                   |
| Size 07   | R-7M-25-1FT   | 7-XV-11A-A    | 0.48               | 100  | 8/2                            | 1.0           | 1.8              | 3.1   | 10/2.5                         | Reed<br>Switch    |                   |
|   |               | 7-XS-23-A     | 0.77               | 170  | 16/4.0                         | 1.0           | 3.3              | 5.6   | 17/4.2                         |                   |                   |
| Size 08   | R-8M-25-4FT   | 8-XV-8-A      | 1.00               | 240  | 5/1.5                          | 3.7           | 4.4              | 7.5   | 5/1.3                          |                   |                   |
|   |               | 8-XV-14-A     | 1.40               | 320  | 8/2                            | 5.4           | 5.8              | 9.9   | 8/2                            |                   |                   |
|   |               | 8-XV-31-A*    | 2.00               | 460  | 16/4                           | 7.0           | 14               | 24    | 17/4.3                         |                   |                   |
| Size 09   | R-9M-25-3FT   | 9-XS-33-A     | 3.20               | 730  | 4/1                            | 2.3           | 13               | 22    | 8/2                            |                   |                   |
|   |               | 9-XV-87-A*    | 3.90               | 890  | 14/3.5                         | 17            | 28               | 48    | 16/4                           |                   |                   |
|   |               | 9-XS-87-A*    | 5.10               | 1100 | 18/4.5                         | 3.5           | 36               | 62    | 19/4.8                         |                   |                   |
| Size 10   | R-10M-25-3FT  | 10-XV-64-A    | 6.20               | 1400 | 12/3                           | 15            | 25               | 43    | 14/3.5                         |                   |                   |
|   |               | 10-XS-64-A    | 7.80               | 1700 | 16/4                           | 3.7           | 32               | 54    | 18/4.5                         |                   |                   |
|   |               | 10-XS-138-A*  | 10.00              | 2400 | 30/7.5                         | 5.5           | 80               | 130   | 36/9                           |                   |                   |
|   |               | 10-XJ-238-A*  | 21.00              | 4800 | 104/26                         | 1.0           | 150              | 270   | 16/4                           |                   |                   |
| 127-High Flow   | Tube          | Float         | GPM                | l/h  | Pressure Drop<br>inch W.C./kPa | V.I.C.<br>cSt | SCFM             | m3n/h | Pressure Drop<br>inch W.C./kPa |                   |                   |
| Size 07   | R-7M-127-1FT  | 7-XV-11A-A    | 0.41               | 93   | 8/2                            | 1.0           | 1.8              | 3.1   | 10/2.5                         | Ring<br>Initiator |                   |
|   |               | 7-XS-23-A     | 0.66               | 150  | 16/4.0                         | 1.0           | 2.7              | 4.6   | 17/4.2                         |                   |                   |
| Size 08   | R-8M-127-4FT  | 8-XV-8-A      | 0.99               | 220  | 5.0/1.25                       | 3.7           | 4                | 6.9   | 6.0/1.5                        |                   |                   |
|   |               | 8-XV-14-A     | 1.3                | 310  | 8.0/2                          | 5.4           | 5.3              | 9.1   | 10/2.5                         |                   |                   |
|   |               | 8-XV-31-A*    | 1.7                | 400  | 24/6                           | 7.0           | 11               | 20    | 28/7                           |                   |                   |
| Size 09   | R-9M-127-4FT  | 9-XS-33-A     | 3.0                | 690  | 7.0/1.7                        | 2.3           | 12               | 21    | 8.0/2.0                        |                   |                   |
|   |               | 9-XV-87-A*    | 3.6                | 830  | 14/3.5                         | 17            | 26               | 44    | 16/4.0                         |                   |                   |
|   |               | 9-XS-87-A*    | 4.5                | 1000 | 17/4.2                         | 3.5           | 32               | 55    | 20/5.0                         |                   |                   |
| Size 10   | R-10M-127-3FT | 10-XV-64-A    | 6                  | 1300 | 9/2.25                         | 15            | 24               | 41    | 10/2.5                         |                   |                   |
|   |               | 10-XS-64-A    | 7.4                | 1600 | 12/3                           | 3.7           | 30               | 52    | 13/3.25                        |                   |                   |
|   |               | 10-XS-138-A*  | 9.8                | 2200 | 29/7.25                        | 5.5           | 68               | 110   | 33/8.25                        |                   |                   |
|   |               | 10-XJ-238-A*  | 20                 | 4700 | 104/26                         | 1.0           | 140              | 250   | 16/4                           |                   |                   |
| 075-High Flow   | Tube          | Float         | GPM                | l/h  | Pressure Drop<br>inch W.C./kPa | V.I.C.<br>cSt | SCFM             | m3n/h | Pressure Drop<br>inch W.C./kPa |                   |                   |
| Size 08   | R-8M-75-1     | 8-XV-8-A      | 0.82               | 180  | 8/2                            |               | 3.3              | 5.6   | 9/2.25                         | Ring<br>Initiator |                   |
|   |               | 8-RJ-10       | 1.5                | 340  | 9/2.25                         |               | 6.3              | 10    | 11/2.7                         |                   |                   |
|   |               | 8-RJ-23       | 2.4                | 540  | 13/3.25                        |               | 9.9              | 16    | 15/3.7                         |                   |                   |
|   |               | 8-RJ-30       | 3.1                | 710  | 19/4.8                         |               | 13               | 22    | 22/5.5                         |                   |                   |
|   |               | 8-RJ-39       | 4.7                | 1000 | 34/6                           |               |                  |       |                                |                   |                   |
| Size 10   | R-10M-75-3    | 10-RJ-80      | 12                 | 2700 | 18/4.5                         |               |                  |       |                                |                   |                   |
|   |               | 10-RJ-180     | 21                 | 4900 | 71/17.6                        |               |                  |       |                                |                   |                   |
|   |               | 10-RJ-37      |                    |      |                                |               | 24               | 40    | 18/4.5                         |                   |                   |
|   |               | 10-RJ-83      |                    |      |                                |               | 36               | 62    | 35/8.7                         |                   |                   |
|   |               | 10-RJ-90      |                    |      |                                |               | 43               | 73    | 71/17.6                        |                   |                   |

FRONT VIEW THREADED CONNECTION

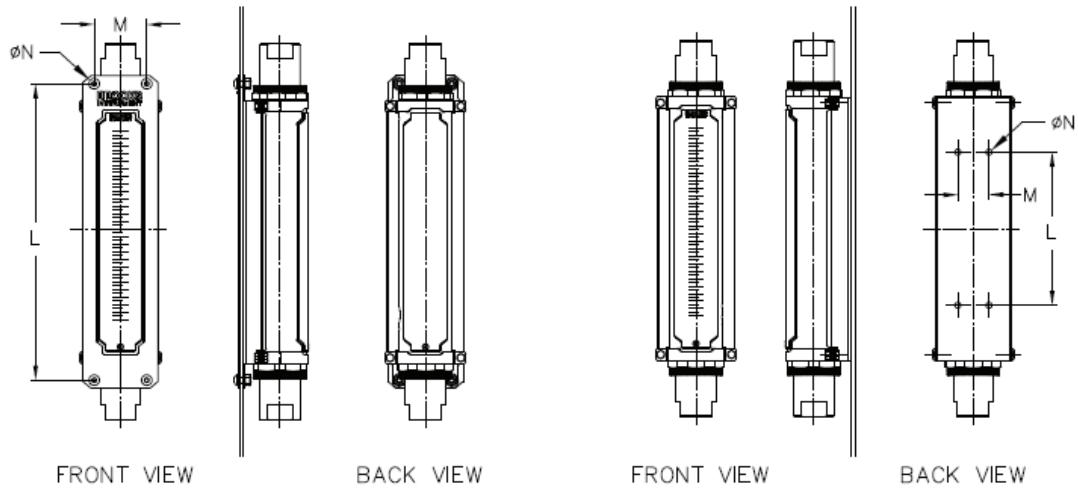


FRONT VIEW FLANGED CONNECTION




BACK OF PANEL (FLUSH) MOUNTING  
(RECTANGULAR PANEL CUT-OUT + 4 MTG. HOLES)

FRONT OF PANEL (WALL) MOUNTING  
(4 MOUNTING HOLES)



# Product Description - Dimensions

| Meter type  | Tube size                    | Process connection | Orientation<br>H(horizontal)<br>V(ertical) | Notes                              | Retro-fit | Model                        | Dimension    |              |              |              |              |              |              |              |      |      |      |     |      |     |      |      |       |      |
|---|------------------------------|--------------------|--|------------------------------------|-----------|------------------------------|--------------|--------------|--------------|--------------|--------------|--------------|--------------|--------------|------|------|------|-----|------|-----|------|------|-------|------|
|   |                              |                    |  |                                    |           |                              | A<br>inch mm | B<br>inch mm | C<br>inch mm | L<br>inch mm | M<br>inch mm | N<br>inch mm | P<br>inch mm | Q<br>inch mm |      |      |      |     |      |     |      |      |       |      |
|  | 02<br>06                     | NPT-F              | H-IN / H-OUT                               | Standard dimensions <sup>(3)</sup> | GT1000    | 1020                         | 8.59         | 218.3        | 0.59         | 15.0         | 1.97         | 50.0         | 4.00         | 101.6        | 1.00 | 25.4 | 0.24 | 6.0 | 7.24 | 184 | 1.48 | 37.6 |       |      |
|   |                              |                    | V-IN / V-OUT                               |                                    |           | 1024                         | 9.84         | 250.0        | -            | -            |              |              |              |              |      |      |      |     |      |     |      |      |       |      |
|   |                              |                    | H-IN / V-OUT                               |                                    |           | 1026                         | 9.22         | 234.1        | 0.59         | 15.0         |              |              |              |              |      |      |      |     |      |     |      |      |       |      |
|   |                              |                    | V-IN / H-OUT                               |                                    |           | 1027                         | 9.22         | 234.1        | 0.59         | 15.0         |              |              |              |              |      |      |      |     |      |     |      |      |       |      |
|   |                              |                    | H-IN / H-OUT                               |                                    |           | Retrofit only <sup>(4)</sup> | Full-View    | 1110         | 8.59         | 218.3        |              |              |              |              |      |      |      |     |      |     |      |      | 0.59  | 15.0 |
|   |                              |                    | V-IN / V-OUT                               |                                    |           |                              |              | 1114         | 9.63         | 244.5        |              |              |              |              |      |      |      |     |      |     |      |      | -     | -    |
|   |                              |                    | H-IN / V-OUT                               | 1140                               | 9.11      |                              |              | 231.4        | 0.59         | 15.0         |              |              |              |              |      |      |      |     |      |     |      |      |       |      |
|   |                              |                    | V-IN / H-OUT                               | 1144                               | 9.11      |                              |              | 231.4        | 0.59         | 15.0         |              |              |              |              |      |      |      |     |      |     |      |      |       |      |
|   |                              |                    | H-IN / H-OUT                               | Standard dimensions <sup>(3)</sup> | GT1000    |                              |              | 1020         | 8.59         | 218.3        |              |              |              |              |      |      |      |     |      |     |      |      | 3.50  | 88.9 |
|   |                              |                    | V-IN / V-OUT                               |                                    |           |                              |              | 1024         | 10.63        | 270.0        |              |              |              |              |      |      |      |     |      |     |      |      | -     | -    |
|   |                              |                    | H-IN / V-OUT                               |                                    |           | 1026                         | 9.61         | 244.1        | 2.95         | 75.0         |              |              |              |              |      |      |      |     |      |     |      |      |       |      |
|   |                              |                    | V-IN / H-OUT                               |                                    |           | 1027                         | 9.61         | 244.1        | 2.95         | 75.0         |              |              |              |              |      |      |      |     |      |     |      |      |       |      |
|   |                              | H-IN / H-OUT       | Retrofit only <sup>(4)</sup>               |                                    |           | Full-View                    | 1140         | 8.59         | 218.3        | 4.00         |              |              |              |              |      |      |      |     |      |     |      |      | 101.6 |      |
|   |                              | V-IN / V-OUT       |  |                                    |           |                              | 1144         | 14.88        | 377.8        | -            |              |              |              |              |      |      |      |     |      |     |      |      | -     |      |
|   |                              | H-IN / V-OUT       |  | 1146                               | 11.73     |                              | 298.1        | 4.00         | 101.6        |              |              |              |              |              |      |      |      |     |      |     |      |      |       |      |
|   |                              | V-IN / H-OUT       |  | 1147                               | 11.73     |                              | 298.1        | 4.00         | 101.6        |              |              |              |              |              |      |      |      |     |      |     |      |      |       |      |
|   |                              | H-IN / H-OUT       |  | Standard dimensions <sup>(3)</sup> | GT1000    |                              | 1020         | 17.50        | 444.5        | 0.91         |              |              |              |              |      |      |      |     |      |     |      |      | 23.0  |      |
|   |                              | V-IN / V-OUT       |  |                                    |           |                              | 1024         | 19.69        | 500.0        | -            |              |              |              |              |      |      |      |     |      |     |      |      | -     |      |
| H-IN / V-OUT  | 1026                         | 18.59              | 472.3                                      |                                    |           | 0.91                         | 23.0         |              |              |              |              |              |              |              |      |      |      |     |      |     |      |      |       |      |
| V-IN / H-OUT  | 1027                         | 18.59              | 472.3                                      |                                    |           | 0.91                         | 23.0         |              |              |              |              |              |              |              |      |      |      |     |      |     |      |      |       |      |
| H-IN / H-OUT #7/8   | Retrofit only <sup>(4)</sup> | Full-View          | 1110                                       |                                    |           | 16.50                        | 419.1        | 0.91         | 23.0         |              |              |              |              |              |      |      |      |     |      |     |      |      |       |      |
| H-IN / H-OUT #9/10  |                              |                    | 1114                                       |                                    |           | 17.00                        | 431.8        | -            | -            |              |              |              |              |              |      |      |      |     |      |     |      |      |       |      |
| V-IN / V-OUT #7/8   |                              |                    | 1116                                       | 16.75                              | 425.5     | 0.91                         | 23.0         |              |              |              |              |              |              |              |      |      |      |     |      |     |      |      |       |      |
| V-IN / V-OUT #9/10  |                              |                    | 1117                                       | 17.38                              | 441.3     | -                            | -            |              |              |              |              |              |              |              |      |      |      |     |      |     |      |      |       |      |
| H-IN / V-OUT #7/8   |                              |                    | 1117                                       | 16.75                              | 425.5     | 0.91                         | 23.0         |              |              |              |              |              |              |              |      |      |      |     |      |     |      |      |       |      |
| H-IN / V-OUT #9/10  |                              |                    | 1117                                       | 17.38                              | 441.3     | -                            | -            |              |              |              |              |              |              |              |      |      |      |     |      |     |      |      |       |      |
| V-IN / H-OUT #7/8   | Retrofit only <sup>(4)</sup> | GT1307             | 1307                                       | 16.94                              | 430.2     | -                            | -            |              |              |              |              |              |              |              |      |      |      |     |      |     |      |      |       |      |
| V-IN / H-OUT #9/10  |                              |                    | 1307                                       | 16.94                              | 430.2     | -                            | -            |              |              |              |              |              |              |              |      |      |      |     |      |     |      |      |       |      |
| H-IN / H-OUT #7/8   |                              |                    | Standard dimensions <sup>(3)</sup>         | GT1000                             | 1020      | 17.50                        | 444.5        | 3.94         | 100.0        |              |              |              |              |              |      |      |      |     |      |     |      |      |       |      |
| H-IN / H-OUT #9/10  |                              |                    |  |                                    | 1024      | 19.69                        | 500.0        | 4.72         | 120.0        |              |              |              |              |              |      |      |      |     |      |     |      |      |       |      |
| V-IN / V-OUT  |                              |                    |  |                                    | 1026      | 18.59                        | 472.3        | 3.94         | 100.0        |              |              |              |              |              |      |      |      |     |      |     |      |      |       |      |
| H-IN / V-OUT #7/8   |                              |                    |  |                                    | 1027      | 18.59                        | 472.3        | 4.72         | 120.0        |              |              |              |              |              |      |      |      |     |      |     |      |      |       |      |
| H-IN / V-OUT #9/10  | 1027                         | 18.59              |  |                                    | 472.3     | 3.94                         | 100.0        |              |              |              |              |              |              |              |      |      |      |     |      |     |      |      |       |      |
| V-IN / H-OUT #7/8   | 1027                         | 18.59              |  |                                    | 472.3     | 4.72                         | 120.0        |              |              |              |              |              |              |              |      |      |      |     |      |     |      |      |       |      |
| V-IN / H-OUT #9/10  | Retrofit only <sup>(4)</sup> | Full-View          | 1140                                       | 17.00                              | 419.1     | 3.50                         | 88.9         |              |              |              |              |              |              |              |      |      |      |     |      |     |      |      |       |      |
| H-IN / H-OUT #7/8   |                              |                    | 1140                                       | 17.50                              | 444.5     | 4.00                         | 101.6        |              |              |              |              |              |              |              |      |      |      |     |      |     |      |      |       |      |
| H-IN / H-OUT #9/10  |                              |                    | 1144                                       | 22.88                              | 581.0     | -                            | -            |              |              |              |              |              |              |              |      |      |      |     |      |     |      |      |       |      |
| V-IN / V-OUT #7/8   |                              |                    | 1144                                       | 22.50                              | 571.5     | -                            | -            |              |              |              |              |              |              |              |      |      |      |     |      |     |      |      |       |      |
| V-IN / V-OUT #9/10  |                              |                    | 1146                                       | 19.69                              | 500.0     | 3.50                         | 88.9         |              |              |              |              |              |              |              |      |      |      |     |      |     |      |      |       |      |
| H-IN / V-OUT #7/8   |                              |                    | 1146                                       | 20.00                              | 508.0     | 4.00                         | 101.6        |              |              |              |              |              |              |              |      |      |      |     |      |     |      |      |       |      |
| H-IN / V-OUT #9/10  | 1147                         | 19.69              | 500.0                                      | 3.50                               | 88.9      |                              |              |              |              |              |              |              |              |              |      |      |      |     |      |     |      |      |       |      |
| V-IN / H-OUT #7/8   | 1147                         | 20.00              | 508.0                                      | 4.00                               | 101.6     |                              |              |              |              |              |              |              |              |              |      |      |      |     |      |     |      |      |       |      |
| V-IN / H-OUT #9/10  | 1147                         | 20.00              | 508.0                                      | 4.00                               | 101.6     |                              |              |              |              |              |              |              |              |              |      |      |      |     |      |     |      |      |       |      |

Note (3) - Standard dimension are for new installations







Note (4) - Retro-fit dimensions are for replacement of GT100x, GT130x and Full-View meters in existing installation. Not for use in new installations.

# Product Specifications - Dimensions

| Meter type         | Tube size            | Process connection           | Orientation<br>H(horizontal)<br>V(ertical) | Notes                              | Retro-fit                          | Model                              | Dimension |       |                   |                                    |       |      |      |       |      |       |       |      |
|--------------------|----------------------|------------------------------|--|------------------------------------|------------------------------------|------------------------------------|-----------|-------|-------------------|------------------------------------|-------|------|------|-------|------|-------|-------|------|
|                    |                      |                              |  |                                    |                                    |                                    | A         |       | B                 |                                    | C     |      | L    |       | M    |       | N     |      |
|                    |                      |                              |  |                                    |                                    |                                    | inch      | mm    | inch              | mm                                 | inch  | mm   | inch | mm    | inch | mm    |       |      |
| 127-High Flow      | 07<br>08<br>09<br>10 | NPT-F                        | H-IN / H-OUT                               | Standard dimensions <sup>(3)</sup> |                                    |                                    | 12.31     | 312.7 | 0.91              | 23.0                               | 2.76  | 70.0 | N/A  |       |      |       |       |      |
|                    |                      |                              | V-IN / V-OUT                               |                                    |                                    |                                    | 14.50     | 368.2 | -                 | -                                  |       |      |      |       |      |       |       |      |
|                    |                      |                              | H-IN / V-OUT                               |                                    |                                    |                                    | 13.41     | 340.5 | 0.91              | 23.0                               |       |      |      |       |      |       |       |      |
|                    |                      |                              | V-IN / H-OUT                               |                                    |                                    |                                    | 13.95     | 354.4 | 0.91              | 23.0                               |       |      |      |       |      |       |       |      |
|                    |                      |                              | H-IN / H-OUT #7/8                          | Retrofit only <sup>(4)</sup>       |                                    |                                    | Full-View | 1110  | 11.50             | 292.1                              |       |      |      |       |      |       | 0.91  | 23.0 |
|                    |                      |                              | H-IN / H-OUT #9/10                         | 12.50                              |                                    |                                    |           |       | 317.5             | -                                  |       |      |      |       |      |       | -     |      |
|                    |                      | V-IN / V-OUT #7/8            | 1114                                       | 12.00                              | 304.8                              | -                                  |           |       | -                 |                                    |       |      |      |       |      |       |       |      |
|                    |                      | V-IN / V-OUT #9/10           |  | 12.25                              | 311.2                              | -                                  |           |       | -                 |                                    |       |      |      |       |      |       |       |      |
|                    |                      | H-IN / V-OUT #7/8            | 1116                                       | 11.75                              | 298.5                              | 0.91                               |           |       | 23.0              |                                    |       |      |      |       |      |       |       |      |
|                    |                      | H-IN / V-OUT #9/10           |  | 12.38                              | 314.3                              | -                                  |           |       | -                 |                                    |       |      |      |       |      |       |       |      |
|                    |                      | V-IN/ H-OUT #7/8             | 1117                                       | 11.75                              | 298.5                              | 0.91                               | 23.0      |       |                   |                                    |       |      |      |       |      |       |       |      |
|                    |                      | V-IN/ H-OUT #9/10            |  | 12.38                              | 314.3                              | -                                  | -         |       |                   |                                    |       |      |      |       |      |       |       |      |
|                    | V-IN / V-OUT         | Retrofit only <sup>(4)</sup> | GT1306                                     | 1306                               | 11.75                              | 298.5                              | -         | -     |                   |                                    |       |      |      |       |      |       |       |      |
|                    | Flanged<br>150lbs RF |                              | NPT-F                                      | H-IN / H-OUT #7/8                  | Standard dimensions <sup>(3)</sup> | GT1000                             |           | 12.31 | 312.7             | 3.94                               |       |      |      |       |      |       | 100.0 |      |
|                    |                      |                              |  | H-IN / H-OUT #9/10                 |                                    |                                    |           | 4.72  | 120.0             | -                                  |       |      |      |       |      |       | -     |      |
|                    |                      |                              |  | V-IN / V-OUT #7/8                  |                                    |                                    |           | 14.50 | 368.2             | -                                  |       |      |      |       |      |       | -     |      |
|                    |                      |                              |  | V-IN / V-OUT #9/10                 |                                    |                                    |           | 13.41 | 340.5             | 3.94                               |       |      |      |       |      |       | 100.0 |      |
|                    |                      |                              |  | H-IN / V-OUT #7/8                  |                                    |                                    |           | 4.72  | 120.0             | -                                  |       |      |      |       |      |       | -     |      |
|                    |                      |                              |  | H-IN / V-OUT #9/10                 |                                    |                                    |           | 13.41 | 340.5             | 3.94                               |       |      |      |       |      |       | 100.0 |      |
|                    |                      |                              | V-IN/ H-OUT #7/8                           | Retrofit only <sup>(4)</sup>       | Full-View                          | 1140                               | 11.50     | 292.1 | 3.50              | 88.9                               |       |      |      |       |      |       |       |      |
| H-IN / H-OUT #9/10 |                      |                              | 12.50                                      |                                    |                                    |                                    | 317.5     | 4.00  | 101.6             |                                    |       |      |      |       |      |       |       |      |
| V-IN / V-OUT #7/8  |                      |                              | 1144                                       |                                    |                                    |                                    | 17.88     | 454.0 | -                 | -                                  |       |      |      |       |      |       |       |      |
| V-IN / V-OUT #9/10 |                      |                              |  |                                    |                                    |                                    | 17.50     | 444.5 | -                 | -                                  |       |      |      |       |      |       |       |      |
| H-IN / V-OUT #7/8  |                      |                              | 1146                                       |                                    |                                    |                                    | 14.69     | 373.0 | 3.50              | 88.9                               |       |      |      |       |      |       |       |      |
| H-IN / V-OUT #9/10 |                      |                              |  |                                    |                                    |                                    | 15.00     | 381.0 | 4.00              | 101.6                              |       |      |      |       |      |       |       |      |
| V-IN/ H-OUT #7/8   |                      |                              | 1147                                       | 14.69                              | 373.0                              | 3.50                               | 88.9      |       |                   |                                    |       |      |      |       |      |       |       |      |
| V-IN/ H-OUT #9/10  |                      |                              |  | 15.00                              | 381.0                              | 4.00                               | 101.6     |       |                   |                                    |       |      |      |       |      |       |       |      |
| 075-High Flow      |                      |                              | 08<br>10                                   | NPT-F                              | H-IN / H-OUT                       | Standard dimensions <sup>(3)</sup> |           |       | 9.02              | 229.1                              | 0.83  | 21.0 |      |       |      |       |       |      |
|                    |                      |                              |  |                                    | V-IN / V-OUT                       |                                    |           |       | 11.20             | 284.6                              | -     | -    |      |       |      |       |       |      |
|                    |                      |                              |  |                                    | H-IN / V-OUT                       |                                    |           |       | 10.11             | 256.9                              | 0.83  | 21.0 |      |       |      |       |       |      |
|                    |                      |                              |  |                                    | V-IN/ H-OUT                        |                                    |           |       | 10.11             | 256.9                              | 0.83  | 21.0 |      |       |      |       |       |      |
|                    | V-IN / V-OUT         | Retrofit only <sup>(4)</sup> |  |                                    | GT1305                             |                                    |           |       | 1305              | 7.75                               | 196.9 | -    | -    |       |      |       |       |      |
|                    | Flanged<br>150lbs RF |                              |  |                                    | NPT-F                              |                                    |           |       | H-IN / H-OUT #7/8 | Standard dimensions <sup>(3)</sup> |       |      | 9.02 | 229.1 | 3.94 | 100.0 |       |      |
|                    |                      |                              |  | H-IN / H-OUT #9/10                 |                                    | 4.72                               | 120.0     | -     | -                 |                                    |       |      |      |       |      |       |       |      |
|                    |                      |                              |  | V-IN / V-OUT #7/8                  |                                    | 11.20                              | 284.6     | -     | -                 |                                    |       |      |      |       |      |       |       |      |
|                    |                      |                              |  | V-IN / V-OUT #9/10                 |                                    | 10.11                              | 256.9     | 3.94  | 100.0             |                                    |       |      |      |       |      |       |       |      |
|                    |                      |                              |  | H-IN / V-OUT #7/8                  |                                    | 4.72                               | 120.0     | -     | -                 |                                    |       |      |      |       |      |       |       |      |
|                    |                      |                              |  | H-IN / V-OUT #9/10                 |                                    | 10.11                              | 256.9     | 3.94  | 100.0             |                                    |       |      |      |       |      |       |       |      |
|                    | V-IN/ H-OUT #7/8     |                              |  | 10.11                              | 256.9                              | 3.94                               | 100.0     |       |                   |                                    |       |      |      |       |      |       |       |      |
| V-IN/ H-OUT #9/10  | 4.72                 |                              | 120.0                                      | -                                  | -                                  |                                    |           |       |                   |                                    |       |      |      |       |      |       |       |      |

Note (3) - Standard dimension are for new installations

Note (4) - Retro-fit dimensions are for replacement of GT10xx, GT130xx and Full-View meters in existing installation. Not for use in new installations.

| Declarations                                 | Mark   | Meter Options  |             |                 | Standards/Directives/Marking  | Status/Certificate  |  |
|--|--|--|-------------|-----------------|---|---|--|
|  |  | Mechanical   | Reed Switch | Inductive Alarm |   |   |  |
| EU Declaration of Conformity                 |   |  |             | ✓               | EMC Directive (2014/30/EU)  | Declaration   |  |
|  |  |  | ✓           | ✓               | RoHS Directive (2011/65/EU)   | Declaration   |  |
|  |  |  | ✓           | ✓               | ATEX Directive (2014/34/EU)   | Declaration   |  |
|  |  | ✓  |             |                 | ATEX Directive (2014/34/EU) : Non-Electrical  | Declaration   |  |
|  |  |  | ✓           |                 | EMC Directive (2014/30/EU)<br>The equipment uses a reed switch sensor & is outside the scope of the directive since the inherent nature of the physical characteristics of which is such that:<br>(i) it is incapable of generating or contributing to electromagnetic emissions which exceed a level allowing radio and telecommunication equipment and other equipment to operate as intended; and<br>(ii) it operates without unacceptable degradation in the presence of the electromagnetic disturbance normally consequent upon its intended use. |   |  |
|  |  | ✓  | ✓           | ✓               | Pressure Equipment Directive (2014/68/EU)   | Declaration   |  |
|  |  | ✓  | ✓           | ✓               | Canadian Registration Number (CRN)  | CRN   |  |
| Explosion safety "Constructional safety (c)" | ATEX<br>  | ✓  |             |                 | II2G Ex h IIC T6...T4 Gb<br>II2D Ex h IIIC T120°C Db<br>Special conditions for safe use: Refer to IOM   | TCF: 203104000-1604   |  |
| Explosion safety "encapsulation (m)"         | ATEX<br><br>IECEX   |  | ✓           |                 | II 2 G Ex mb IIC T6 Gb    II 2 D Ex mb IIIC T85°C Db (Standard Version)<br>II 2 G Ex mb IIC T5 Gb    II 2 D Ex mb IIIC T100°C Db (With Junction box Version)  | KIWA 18ATEX0013 X   |  |
|  |  |  |             | ✓               | Ex mb IIC T6 Gb    Ex mb IIIC T85°C Db (Standard Version)<br>Ex mb IIC T5 Gb    Ex mb IIIC T100°C Db (With Junction box Version)  | IECEX KIWA 18.0008X   |  |
|  |  | Standards used for evaluation: EN 60079-0 : 2012+A11: 2013, EN 60079-18 : 2015<br>IEC 60079-0 : 2011, IEC 60079-18 : 2014  |             |                 |   |   |  |
|  |  | Ambient Temperature range: -20 °C to +65 °C (Standard Version)<br>-20 °C to +55 °C (With Junction box Version)<br>Input Power: 30V, 250mA, 3W<br>Special conditions for safe use: Refer to IOM |             |                 |   |   |  |
| Explosion safety "Intrinsic Safety (ia)"     |  |  | ✓           |                 | Reed Switch Alarms are classified as "Simple Apparatus" when used in Intrinsically Safe circuits. They comply with the requirements of EN60079-11 clause 5.7 – Simple apparatus.<br>Ambient Temperature ratings: -20° C ≤ Tamb ≤ 65° C<br>Input parameters: Vmax = 30V, Imax = 100mA, Ci = 0µF, Li = 0µH<br>Special conditions for safe use: Refer to IOM   |   |  |
| Explosion safety "Intrinsic Safety (ia)"     |   |  | ✓           |                 | IS Class I, II, III, Div 1, Groups A, thru G  | UL File E73889 Vol3 Sec 6   |  |
|  |  |  |             | ✓               | Inductive Ring Sensor<br><u>Non-Hazardous Locations</u><br>Power Supply<br>Current consumption<br>Ambient Temperature   | Pepperl + Fuchs Model: RC10-14-N3-Y53478<br>Pepperl + Fuchs Model: RC15-14-N3-Y53479<br><br>Nominal Voltage 8V<br>Operating Voltage 5...25V<br>Active area clear : 3mA (at 8V)<br>Active area obscured: 0.5...0.95mA (at 8V)<br>0°C to 40°C |  |
| Explosion safety "Intrinsic Safety (ia)"     | ATEX<br><br> |  | ✓           |                 | <u>Hazardous Location</u><br>ATEX<br><br>II 2 G Ex ia IIC T6...T1 Gb IP67<br>Refer to ATEX Certificate for: Input parameters, Max Ambient Temperature, Special conditions for use   | Pepperl + Fuchs<br>PTB 99 ATEX 2128 X   |  |
|  |  |  | ✓           |                 | FM Approvals<br><br>Class I, Division 1, Group A, B, C, Class II, Division 1, Group E, F, G, Class III, Division 1<br>Class I, Zone 0, Group IIC T6   | Pepperl + Fuchs<br>Control Drawing:116-0165G  |  |

**Code Description      Code Option    Option Description**

|                               |    |                                      |
|-------------------------------|----|--------------------------------------|
| I-II. Base Model Number       | 16 | Horizontal Inlet and Outlet          |
| III. Body - Flow/Scale Length |    | Body Flow      Scale Length          |
|                               | 1  | 250-High Flow      250mm             |
|                               | 2  | 127-High Flow      127mm             |
|                               | 3  | 075-High Flow      75mm              |
|                               | 4  | 127-Low Flow      127mm              |
| IV. Connection Orientation    | 0  | Horizontal Inlet - Horizontal Outlet |
|                               | 4  | Vertical Inlet - Vertical Outlet     |
|                               | 6  | Horizontal Inlet - Vertical Outlet   |
|                               | 7  | Vertical Inlet - Horizontal Outlet   |
| V. Model Revision             | A  | Initial release of global model code |

| Code | 250 - High Flow |      |      |       |      |              |   |              |
|------|-----------------|------|------|-------|------|--------------|---|--------------|
|      | Water           |      |      |       | Air  |              |   |              |
|      | GPM             | l/h  | SCFM | m3n/h | Tube | Float        |   |              |
| JC   | 0.48            | 100  | 1.8  | 3.1   | J    | R-7M-25-1FT  | C | 7-XV-11A-A   |
| JF   | 0.77            | 170  | 3.3* | 5.6*  | J    | R-7M-25-1FT  | F | 7-XS-23-A*   |
| KC   | 1.00            | 240  | 4.4  | 7.5   | K    | R-8M-25-4FT  | C | 8-XV-8-A     |
| KF   | 1.40            | 320  | 5.8  | 9.9   | K    | R-8M-25-4FT  | F | 8-XV-14-A    |
| KJ   | 2.00            | 460  | 14*  | 24*   | K    | R-8M-25-4FT  | J | 8-XV-31-A*   |
| LC   | 3.20            | 730  | 13   | 22    | L    | R-9M-25-3FT  | C | 9-XS-33-A    |
| LF   | 3.90            | 890  | 28*  | 48*   | L    | R-9M-25-3FT  | F | 9-XV-87-A*   |
| LJ   | 5.10            | 1100 | 36*  | 62*   | L    | R-9M-25-3FT  | J | 9-XS-87-A*   |
| MC   | 6.20            | 1400 | 25   | 43    | M    | R-10M-25-3FT | C | 10-XV-64-A   |
| MF   | 7.80            | 1700 | 32   | 54    | M    | R-10M-25-3FT | F | 10-XS-64-A   |
| MJ   | 10.00           | 2400 | 80*  | 130*  | M    | R-10M-25-3FT | J | 10-XS-138-A* |
| MM   | 21.00           | 4800 | 150* | 270*  | M    | R-10M-25-3FT | M | 10-XJ-238-A* |

\* These codes require a back pressure of 30 psig /2 bar

| Code | 127 - High Flow |      |      |       |      |               |   |              |
|------|-----------------|------|------|-------|------|---------------|---|--------------|
|      | Water           |      |      |       | Air  |               |   |              |
|      | GPM             | l/h  | SCFM | m3n/h | Tube | Float         |   |              |
| SC   | 0.41            | 93   | 1.8  | 3.1   | S    | R-7M-127-1FT  | C | 7-XV-11A-A   |
| SF   | 0.66            | 150  | 2.7* | 4.6*  | S    | R-7M-127-1FT  | F | 7-XS-23-A*   |
| TC   | 0.99            | 220  | 4    | 6.9   | T    | R-8M-127-4FT  | C | 8-XV-8-A     |
| TF   | 1.3             | 310  | 5.3  | 9.1   | T    | R-8M-127-4FT  | F | 8-XV-14-A    |
| TJ   | 1.7             | 400  | 11*  | 20*   | T    | R-8M-127-4FT  | J | 8-XV-31-A*   |
| UC   | 3               | 690  | 12   | 21    | U    | R-9M-127-4FT  | C | 9-XS-33-A    |
| UF   | 3.6             | 830  | 26*  | 44*   | U    | R-9M-127-4FT  | F | 9-XV-87-A*   |
| UJ   | 4.5             | 1000 | 32*  | 55*   | U    | R-9M-127-4FT  | J | 9-XS-87-A*   |
| VC   | 6               | 1300 | 24   | 41    | V    | R-10M-127-3FT | C | 10-XV-64-A   |
| VF   | 7.4             | 1600 | 30   | 52    | V    | R-10M-127-3FT | F | 10-XS-64-A   |
| VJ   | 9.8             | 2200 | 68*  | 110*  | V    | R-10M-127-3FT | J | 10-XS-138-A* |
| VM   | 20              | 4700 | 140* | 250*  | V    | R-10M-127-3FT | M | 10-XJ-238-A* |

\* These codes require a back pressure of 30 psig/2 bar

| Code | 075 - High Flow |      |      |       |      |            |   |           |
|------|-----------------|------|------|-------|------|------------|---|-----------|
|      | Water           |      |      |       | Air  |            |   |           |
|      | GPM             | l/h  | SCFM | m3n/h | Tube | Float      |   |           |
| PC   | 0.82            | 180  | 3.3  | 5.6   | P    | R-8M-75-1  | C | 8-XV-8-A  |
| PF   | 1.5             | 340  | 6.3  | 10    | P    | R-8M-75-1  | F | 8-RJ-10   |
| PJ   | 2.4             | 540  | 9.9  | 16    | P    | R-8M-75-1  | J | 8-RJ-23   |
| PM   | 3.1             | 710  | 13   | 22    | P    | R-8M-75-1  | M | 8-RJ-30   |
| PQ   | 4.7             | 1000 | N/A  | N/A   | P    | R-8M-75-1  | Q | 8-RJ-39   |
| RC   | 12              | 2700 | N/A  | N/A   | R    | R-10M-75-3 | C | 10-RJ-80  |
| RF   | 21              | 4900 | N/A  | N/A   | R    | R-10M-75-3 | F | 10-RJ-180 |
| RJ   | N/A             | N/A  | 24   | 40    | R    | R-10M-75-3 | J | 10-RJ-37  |
| RM   | N/A             | N/A  | 36   | 62    | R    | R-10M-75-3 | M | 10-RJ-83  |
| RQ   | N/A             | N/A  | 43   | 73    | R    | R-10M-75-3 | Q | 10-RJ-90  |

Request a Quote



**Code Description      Code Option    Option Description**

| VI-VII. Maximum Flowrate (continued) | 127 - Low Flow |        |      |      |      |               |      |          |       |
|--------------------------------------|----------------|--------|------|------|------|---------------|------|----------|-------|
|                                      | Code           | Water  |      |      | Air  |               | Tube |          | Float |
|                                      |                | cc/min | l/h  | SLPM | In/h |               |      |          |       |
| A3                                   | 1.9            | 0.11   | 0.11 | 6.7  | A    | R-2-127-AAAAT | 3    | 316SS    |       |
| A6                                   | 3.7            | 0.22   | 0.2  | 12   | A    | R-2-127-AAAAT | 6    | CARBOLOY |       |
| B6                                   | 7.5            | 0.45   | 0.38 | 23   | B    | R-2-127-AAT   | 6    | CARBOLOY |       |
| C3                                   | 15             | 0.93   | 0.68 | 40   | C    | R-2-127-DT    | 3    | 316SS    |       |
| C6                                   | 25             | 1.5    | 1    | 61   | C    | R-2-127-DT    | 6    | CARBOLOY |       |
| D3                                   | 39             | 2.3    | 1.4  | 86   | D    | R-2-127-AT    | 3    | 316SS    |       |
| D6                                   | 59             | 3.5    | 2    | 120  | D    | R-2-127-AT    | 6    | CARBOLOY |       |
| E3                                   | 110            | 6.8    | 3.9  | 230  | E    | R-2-127-BT    | 3    | 316SS    |       |
| E6                                   | 170            | 10     | 5.6  | 340  | E    | R-2-127-BT    | 6    | CARBOLOY |       |
| F6                                   | 270            | 16     | 9    | 540  | F    | R-2-127-CT    | 6    | CARBOLOY |       |
| G3                                   | 410            | 25     | 14   | 850  | G    | R-6-127-AT    | 3    | 316SS    |       |
| G6                                   | 620            | 37     | 20   | 1200 | G    | R-6-127-AT    | 6    | CARBOLOY |       |
| H3                                   | 1000           | 65     | 35   | 2100 | H    | R-6-127-BT    | 3    | 316SS    |       |
| H6                                   | 1500           | 95     | 49   | 2900 | H    | R-6-127-BT    | 6    | CARBOLOY |       |

|                        |   |                            |
|------------------------|---|----------------------------|
| VIII. Fitting Material | A | 316 Stainless Steel        |
|                        | B | 316 Stainless Steel w/ CRN |

|                     |   |  |
|---------------------|---|--|
| IX. Connection Size | 1 | 1/4" Low Flow                                |
|                     | 2 | 1/2" High Flow                               |
|                     | 3 | 3/4" High Flow                               |
|                     | 4 | 1" High Flow                                 |
|                     | 5 | 1" Vertical / 3/4" Horizontal. Size 10 only. |

|                          |    |                            |                     |
|--------------------------|----|----------------------------|---------------------|
| X. - XI. Connection Type | AA | Standard / GT1000 Retrofit | NPT - Female        |
|                          | AB | Standard / GT1000 Retrofit | ANSI #150 RF Flange |
|                          | BA | Retrofit GT130x            | NPT - Female        |
|                          | CA | Retrofit Full-View 11xx    | NPT - Female        |
|                          | CB | Retrofit Full-View 11xx    | ANSI 150# RF Flange |
|                          | DC | Retrofit GT1000            | Rc - Female\        |

|                      |   |                        |
|----------------------|---|------------------------|
| XII. O-Ring Material | 1 | Viton® fluoroelastomer |
|                      | 2 | Buna                   |
|                      | 3 | Kalrez®                |
|                      | 4 | EPDM                   |

|                         |   |                      |
|-------------------------|---|----------------------|
| XIII. Scale Inscription | 1 | MM Scale             |
|                         | 2 | Percent Scale        |
|                         | 3 | Direct Reading Scale |
|                         | 4 | Dual Scale           |

|                     |   |                |
|---------------------|---|----------------|
| XIV. Meter Accuracy | A | ±10%           |
|                     | B | ±5% Full Scale |
|                     | D | ±2% Full Scale |
|                     | F | ±1% Full Scale |
|                     | G | 2.5 VDI/VDE    |
|                     | H | 1.6 VDI/VDE    |

|                         |   |                 |
|-------------------------|---|-----------------|
| XV. Valve Type/Location | 0 | None            |
|                         | 1 | Valve at Inlet  |
|                         | 2 | Valve at Outlet |

|            |   |                    |
|------------|---|--------------------|
| XVI. Alarm | 0 | None               |
|            | 1 | 1 Switch/Sensor    |
|            | 2 | 2 Switches/Sensors |

|                 |   |  |
|-----------------|---|--|
| XVII. Approvals | A | None                                   |
|                 | B | ATEX - Zone 1 & Zone 2, non-Electrical |
|                 | C | UL / FM - Hazardous location           |
|                 | D | ATEX - Zone 1 & Zone 2, Electrical     |

Sample Standard Model Code

|      |     |    |   |        |      |    |      |     |      |     |    |     |      |
|------|-----|----|---|--------|------|----|------|-----|------|-----|----|-----|------|
| I-II | III | IV | V | VI-VII | VIII | IX | X-XI | XII | XIII | XIV | XV | XVI | XVII |
| 16   | 1   | 4  | A | D0     | A    | 2  | AA   | 1   | 3    | D   | 0  | 0   | A    |

\* These parts and services are not part of the product model code but should be selected during product configuration.

Accessory Parts

CONDULET JUNCTION BOX ASSEMBLY

| <i>from 16xxG Model Code, position 16</i> |                   | Part Numbers for Relays |
|---|-------------------|-------------------------|
| Option Code                               | Description       |                         |
| 0   | None              |                         |
| 1   | 1 Switch/Sensor   | 203Z023AAA              |
| 2   | 2 Switches/Sensor | 203Z023AAA              |

RELAY

| <i>from 16xxG Model Code, position 16</i> |                   | Part Numbers for Relays |                        |                          |
|---|-------------------|-------------------------|------------------------|--------------------------|
| Alarm                                     |                   | 110VAC<br>1 or 2 relay  | 220VAC<br>1 or 2 relay | 24VAC<br>1 or 2 relay    |
| Option Code                               | Description       |                         |                        |                          |
| 0   | None              |                         |                        |                          |
| 1   | 1 Switch/Sensor   | 029G008ZZZ              | or                     | 029G010ZZZ or 029G012ZZZ |
| 2   | 2 Switches/Sensor | 029G008ZZZ              | or                     | 029G010ZZZ or 029G012ZZZ |

MOUNTING KITS

| <i>from 16xxG Model Code, position 3</i> |                   |       | Part Numbers for Kits          |                                |
|--|-------------------|-------|--------------------------------|--------------------------------|
| Option Code                              | Flow/Scale Length |       | Front of panel (wall) mounting | Back of panel (flush) mounting |
|  | Description       |       |                                |                                |
| 1  | 250 - High Flow   | 250mm | 778Z019AAA                     | 778Z021AAA                     |
| 2  | 127 - High Flow   | NA    | NA                             | NA                             |
| 3  | 075 - High Flow   | 75mm  | NA                             | NA                             |
| 4  | 127 Low Flow      | 127mm | 778Z018AAA                     | 778Z020AAA                     |

Services

- Clean for Oxygen Service 2.1
- Commercial Cleaning
- Declaration of Compliance 2.1
- International Calibration Certificate (ICC)
- Material Certification 3.1
- NACE MR0175 MR0103
- PMI (Positive Material Identification)
- Pressure Test Certificate 2.2

Brooks is committed to assuring all of our customers receive the ideal flow solution for their application, along with outstanding service and support to back it up. We operate first class repair facilities located around the world to provide rapid response and support. Each location utilizes primary standard calibration equipment to ensure accuracy and reliability for repairs and recalibration and is certified by our local Weights and Measures Authorities and traceable to the relevant International Standards.

Visit [www.BrooksInstrument.com](http://www.BrooksInstrument.com) to locate the service location nearest to you.

## START-UP SERVICE AND IN-SITU CALIBRATION

Brooks Instrument can provide start-up service prior to operation when required. For some process applications, where ISO-9001 Quality Certification is important, it is mandatory to verify and/or (re)calibrate the products periodically. In many cases this service can be provided under in-situ conditions, and the results will be traceable to the relevant international quality standards.

## CUSTOMER SEMINARS AND TRAINING

Brooks Instrument can provide customer seminars and dedicated training to engineers, end users, and maintenance persons. Please contact your nearest sales representative for more details. Due to Brooks Instrument's commitment to continuous improvement of our products, all specifications are subject to change without notice.

## TRADEMARKS

Brooks .....Brooks Instrument, LLC  
All other trademarks are the property of their respective owners.



DS-VA-GT1600-eng/2022-05

## Global Headquarters

**Brooks Instrument**  
407 West Vine Street  
Hatfield, PA  
19440-0903 USA

Toll-Free (USA): 888-554-FLOW  
T: 215-362-3500

[BrooksAM@BrooksInstrument.com](mailto:BrooksAM@BrooksInstrument.com)

A list of all Brooks Instrument locations and contact details can be found at [www.BrooksInstrument.com](http://www.BrooksInstrument.com)

© Copyright 2022 Brooks Instrument, LLC All rights reserved. Printed in U.S.A.

**BROOKS**<sup>®</sup>  
INSTRUMENT

*Beyond Measure*