

Lumiglas Screwed Light Sight Glass Unit MV/SLM-LED and MV/ME-LED

Sizes: 65, 80, 100, 125

Screwed light sight glass units similar to DIN 11 851 (milk-proof screw closures) with special version of Lumistar luminaire installed. Units available in stainless steel or aluminium allowing the combination of sight glass and light port, sizes DN 65 to DN 125.

- **Application:** For illuminating bio-reactors, laboratory mixing vessels and filters, as well as the interiors of tanks, agitators, silos, separators, pipelines and other – usually closed – vessels in potentially non-explosive operating environments, especially in the pharmaceutical, food and beverage processing industries, e. g. breweries and dairies.
- **Protection:** When correctly fitted, dust and waterjet proof to IP 65, EN 60 529/DIN VDE 0470 Part 1.
- **Operating Conditions:** Pressure: max. 6 bar (higher pressure ratings on request), vacuum
- **Maximum permissible ambient temperature:** 40°C for the luminaire
- **Attention:** Do not look into the light – danger of impaired eyesight!
- **Parts and alternatively materials**, drawing on the right:

Item	Part name	Material options
1	Luminaire	
1.1	luminaire housing	alternatively: cast alum. painted (RAL 9007) or stainless steel 1.4301, polished
1.2	luminaire cover	
1.3	flat seal with bridge	Silicon (max. 220°C)
2	fitting	
2.1	slotted cover nut to DIN 11851	stainless steel 1.4307
2.3	sight glass disc	soda lime glass toughened (tempered) similar to DIN 8902, max. temperature: 150°C borosilicate glass: toughened (tempered) according to DIN 7080, max. temperature: 280°C
2.4	ring seal (alternatively)	Viton, PTFE, Perbunan, Silicon, EPDM
2.5	weld neck nozzle (alternatively)	stainless steel 1.4307, 1.4404
3	vessel wall	

- **Electrical data:**

The MV/ME-LED is factory fitted with a 3 m temperature-resistant connecting cable. Other cable lengths are available on request. The MV/SLM-LED is equipped with a connecting terminal.

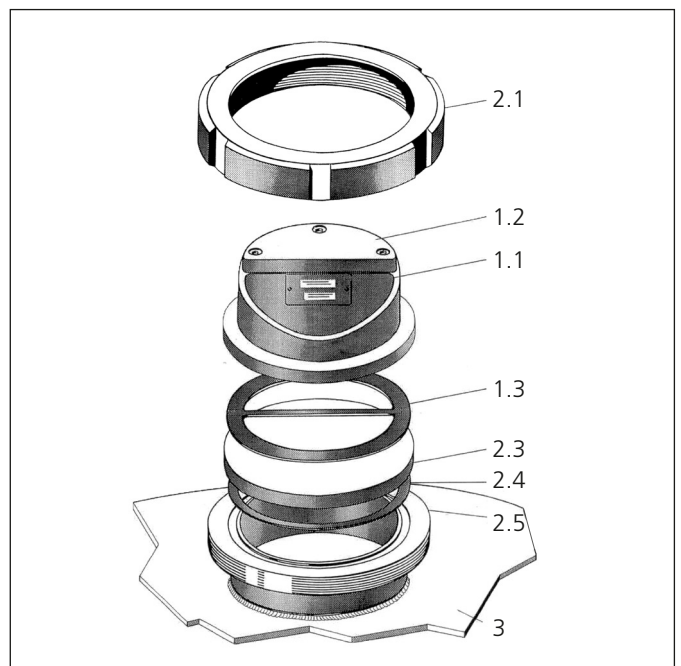
Type	Voltage	Wattage	Beam angle	Luminous flux	Colour temperature
MV/ME 65-LED MV/ME 80-LED	12-24 V DC	1.5 W	26° / 33°	110 lm	5000 K
MV/ME 100-LED MV/ME 125-LED	24 V AC/DC	2.0 W	26° / 33°	170 lm	5000 K
MV/SLM 65-LED	12-24 V DC	2.5 W	26° / 33°	215 lm	5000 K
MV/SLM 80-LED MV/SLM 100-LED MV/SLM 125-LED	24 V AC/DC	5.5 W	18° / 25°	585 lm	6500 K



3755.565

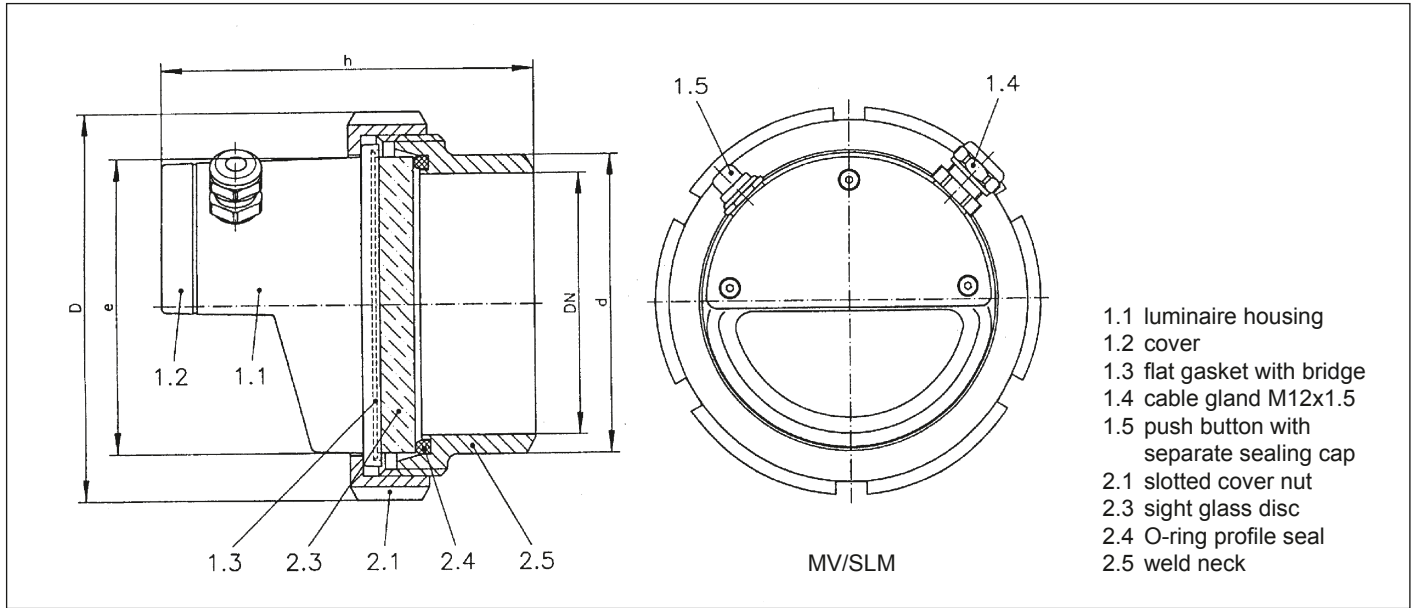


Lumiglas screwed light sight glass unit MV/ME-LED



Lumiglas screwed light sight glass unit MV/SLM-LED

• **Dimensions and electrical data for Lumiglas screwed light sight glass units MV/SLM-LED and MV/ME-LED:**



• **Parts, Construction and Materials:**

- Luminaire body: Corrosion resistant die cast aluminium, painted RAL 9007 (suitable for food processing) or stainless steel 1.4301
- Luminaire cover (1.2) is screwed to luminaire housing (1.1) with inserted flat flexible gasket to form the connector box

- For short-term operation, the luminaire can be supplied with a push button and sealing cap.

Size		1		2		3		4*	
Lumiglas screwed light sight glass units	Type	MV 65		MV 80		MV 100		MV 125	
		SLM	ME	SLM	ME	SLM	ME	SLM	ME
Suitable for screwed light sight glass units DIN 11851 or similar	DN	65		80		100		125	
Operating voltage	V	12-24 DC	12-24 DC	24 AC/DC	12-24 DC	24 AC/DC	24 AC/DC	24 AC/DC	24 AC/DC
Power	W	2.5	1.5	5.5	1.5	5.5	2.0	5.5	2.0
Dimensions (mm)	D	112		127		148		178	
	d	79		93		114		136	
	e	78	79.5	92	93.5	113	114.5	136	137.5
	h	110	100	125	104	143	129	140	119
Nut opening acc. to DIN 11851	d8	80		94		115		138	
Weight approx.	kg	0.320	0.340	0.430	0.360	0.770	0.460	0.920	0.480

*can be combined with Lumiglas sight glass wiper SW I

• **Mechanical Installation:**

- The Lumistar luminaire and the flat seal (1.3) are bonded together at the factory and come as a unit
- After welding nozzle (2.5) into the vessel wall (3), fit O-ring seal (2.4), glass disc (2.3) and luminaire (1.1) as shown in the drawing overleaf. Tighten all these parts down against the nozzle by cover nut (2.1). Always use the special 'C-Spanner'. Finally check if the sight glass disc sits correctly in the fitting.

• **Transformers or electronic power supplies (230/24 V)** can be supplied on request

• **Order data:**

e.g. Lumiglas screwed light sight glass unit MV65/SLM-LED, 12-24 V DC – 2,5 W, 26°