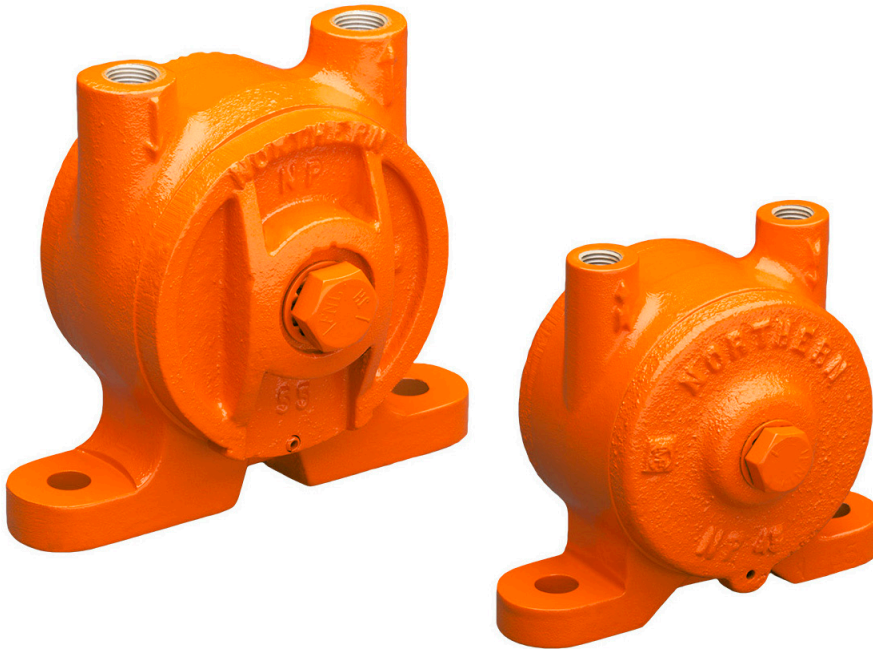


## Martin® Ring Vibrators



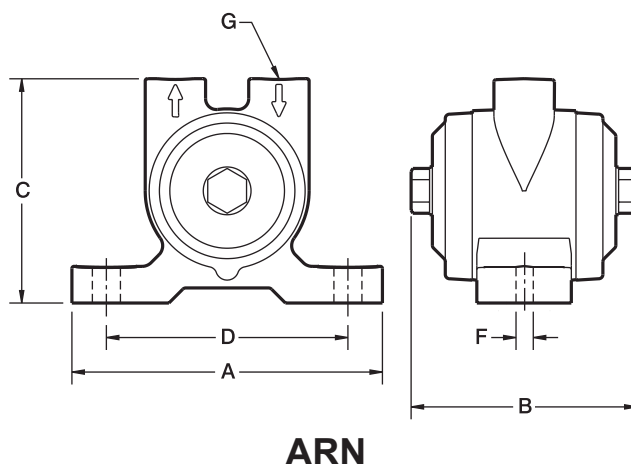
### FEATURES

- One moving part – Ring on a hardened steel shaft
- No lubrication required
- Muffler standard
- Lower air consumption than comparable ball vibrators
- Energy conserving
- Excellent power to weight ratio
- Heavy duty cast housings
- 650°F temperature rating

### Specify Martin Engineering for:

- Cost effective solutions
- Expert technical assistance
- Complete service and support

# TECHNICAL DATA SHEET



## DIMENSIONS (inch)

Model	A	B	C	Bolt Pattern	Bolt Size	Port NPT	Weight lbs
				D	F	G	
ARN-35	5.375	3.125	4.125	4	1/2	1/4	3.250
ARN-45	5.375	3.750	4.625	4	1/2	1/4	5.250
ARN-75	7.750	4.000	6.000	6	5/8	1/2	9.500

## PERFORMANCE DATA

Model	In. Lbs.	40 PSI			60 PSI			80 PSI		
		VPM	Force Lbs.	CFM	VPM	Force Lbs.	CFM	VPM	Force Lbs.	CFM
ARN-35	0.098	18000	900	6	22500	1400	8	26000	1880	11
ARN-45	0.238	10000	675	10	15000	1525	13	17000	2000	16
ARN-75	1.000	7750	1700	30	9000	2300	33	10000	2840	39

## ACCESSORIES

Part Number	Description
36343-NC	solenoid valve 115/1/60, 1/2" npt
37889	filter, regulator combination, 1/2" npt
39504	control line kit
38902-20	on/off cycle timer 115/1/60
14824	ball valve 1/2 npt

Model	Mounting Kit
ARN-35	220691-4-500
ARN-45	220691-4-500
ARN-75	220691-6-625



**Martin Engineering USA**  
 One Martin Place  
 Neponset, IL 61345-9766 USA  
 800 544 2947 or 309 852 2384  
 Fax 800 814 1553  
 www.martin-eng.com

**COMPANY WITH  
 QUALITY SYSTEM  
 CERTIFIED BY DNV GL  
 = ISO 9001 =**