

# Electronic Bell and Gong BG 300

Electronic Bell and Gong for use aboard vessels at anchor in restricted visibility



**Electronic Bell and Gong**  
Ref. no. 20142020



**Power amplifier BG 30**  
Ref. no. 24530339

## General Information

According to the International Regulations for Preventing Collisions at Sea 1972, Rule 33, vessels of 12m in length or more shall be equipped with a bell, and vessels of 100m or more shall, in addition, be provided with a gong with the tone and sound which cannot be confused with that of the bell. The device shall produce a sound pressure level of not less than 110 dB at 1 metre. The electronic Bell & Gong system is especially developed to meet these regulations.

The Bell and Gong sound emitters are identical and electro-dynamic. They are, also, small and compact compared with many other loudspeaker designs. The design is advantageous from different aspects — not only the aesthetic.

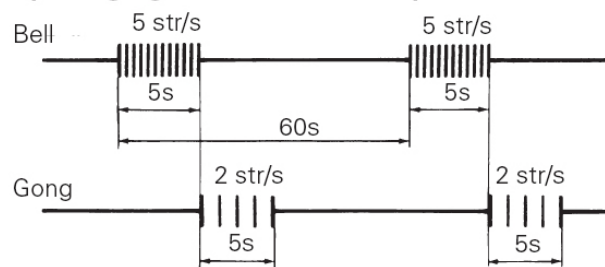
By means of modern electronics, a power amplifier BG 300 supplies the sound emitters with the signal characters stipulated by regulation for "ship aground" and "ship at anchor". To emit the prescribed signal characters, the Bell and Gong units are activated by via pushbuttons on the bridge connected to the power amplifier BG 300.

## Power Amplifier BG 300

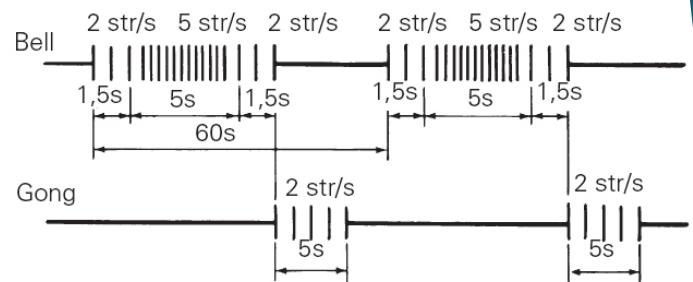
The power amplifier BG 300 is developed by using the latest amplifier technology. The sound for bell and gong is recorded and synthesized from real bell and gong instruments and has a very authentic characteristic. It only requires 24V DC (7A) and max outpower is 2 x 120W.

The Power Amplifier BG 300 is to be mounted indoors and protected against water.

### Repeating signal characters for ship at anchor



### Repeating signal characters for ship aground



# Spare Parts, Dimensions and Wiring Diagram

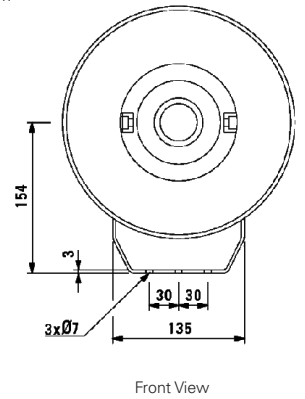
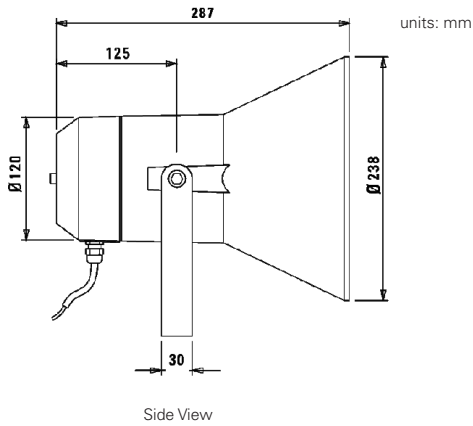
## Electronic Bell and Gong BG 300

Ref. no. 20142020

### Technical Data

Sound modules are made of ABS plastic with UV inhibitors.  
Made for roof or wall mounting via stainless steel U-bracket.

Sound pressure level (min.): 110 dB at 1 m  
Temperature range: -30°C to +60°C  
Weight: ca: 2.3 kg  
Colour: RAL 7035  
Electrical connection: 2 x 1.5 mm<sup>2</sup> (shielded)  
Cable outer diameter: Ø 6 - 9 mm

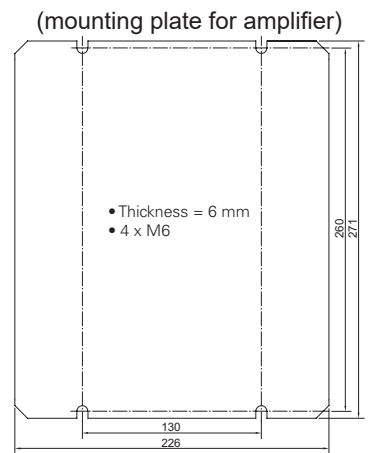
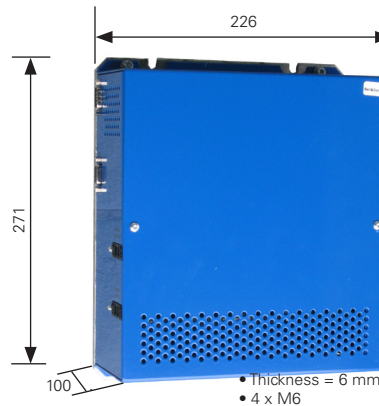


## Power Amplifier BG 300

Ref. no. 24530339

### Technical Data

Voltage: 24VDC  
Current, operating: 7 A  
Output power, max: 2 x 120W  
Current, standby: <0,5A  
Protection class: IP 31  
Operating ambient temp: -25°C to +50°C  
Dimensions: 271x226x100 mm  
Weight: 3,1 kg  
Colour: RAL5017



## Signal Activator TI65-M

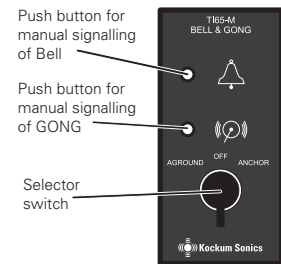
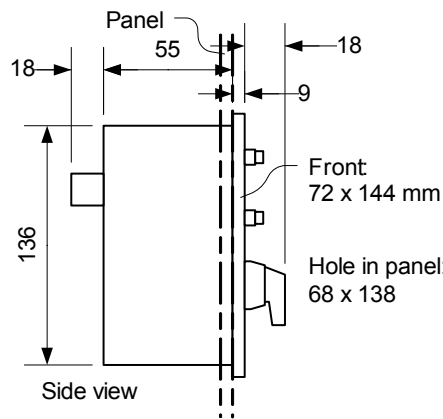
Ref. no. 24530189

### Technical Data

Voltage: 24V DC

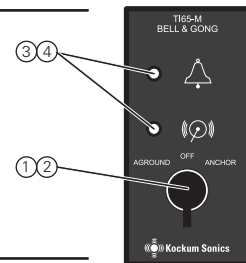
### Operation

- Switch knob to choose OFF, AGROUND or ANCHOR signal
- 2 push buttons for manual BELL or GONG signalling.

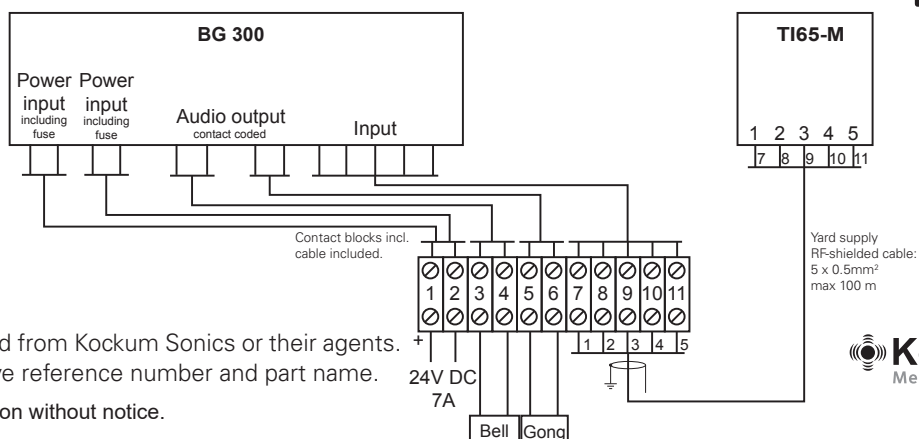


## Recommended spare parts

Pos	Description	Ref. No.	Pos	Description	Ref. No.
1	Switch knob	205.07.022	3	Push button	205.07.020
2	Switch block	205.02.007	4	Lens plate	205.07.021
	Sound emitter	201.42.020			



## Wiring Diagram



Spare Parts can be obtained from Kockum Sonics or their agents.  
When ordering, please, give reference number and part name.

Subject to alteration without notice.