



BALL VALVE AUREA STRAIGHT WITH BUTTERFLY HANDLE

CONNECTIONS: MALE - FEMALE



DESCRIPTION

The ball valves AUREA, 1115 series, are shut off valves with full bore passage. They can be installed in drinking water systems as well as in heating and air conditioning systems. The research to obtain the maximum strength for all components, renders the ball valve AUREA a highly reliable and functional device. The special seals enable the valve to work under a constant temperature up to 140°C.

TECHNICAL FEATURES

Pressure:

maximum allowable working pressure 1/2"- 3/4" (PN) 35 bar

maximum allowable working pressure 1 - 1"1/4 (PN) 28 bar

Temperature:

maximum working temperature (Ts)

from 0°C (excluding ice) to 140°C

Compatible fluids:

water

heat transfer fluids

glycolate solutions

in compliance with Italian national standards UNI 8065 § 6
glycol 50%

Threading:

pipeline connections

threads according to ISO 228/1

Flow coefficient (Kv) (m³/h):

1/2" = 12,7

3/4" = 24,6

1" = 48,5

1"1/4 = 98

Tests:

shell tightness

UNI EN 13828

DESIGN

Body and sleeve

Butterfly handle

Ball

Other components in brass

O-ring gasket

Seat washers

Other sealing elements

Hexagonal nut

brass EN 12165-CW617N with chrome-plated coating

painted aluminium

brass EN12165-CW617N with chrome-plated coating

brass EN12164-CW614N

FKM rubber

PTFE

PTFE

anti-corrosion treatment steel

PRODUCT CODES

1115.015	male/female	1/2"
1115.020	male/female	3/4"
1115.025	male/female	1"
1115.033	male/female	1" 1/4

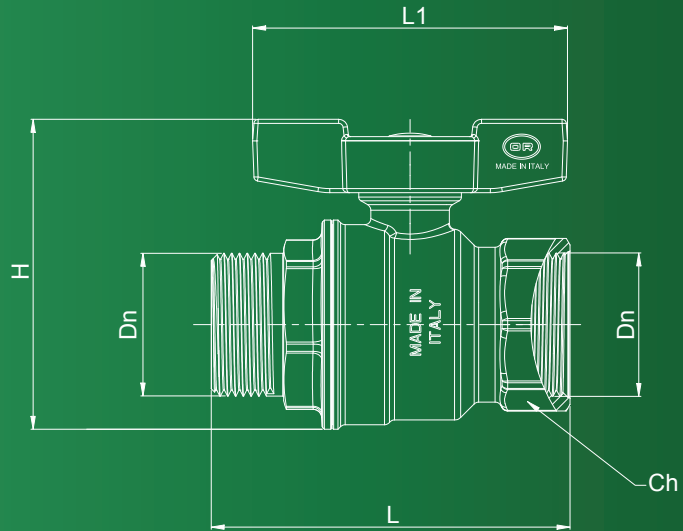


OFFICINE RIGAMONTI S.p.A.
via Circonvallazione, 9
13018 Valduggia (VC), ITALY
TEL. +39 0163.48165
FAX +39 0163.47254
www.officinerigamonti.it
export@officinerigamonti.it

1115 • 1/2" ÷ 1"1/4

BALL VALVE AUREA STRAIGHT WITH BUTTERFLY HANDLE

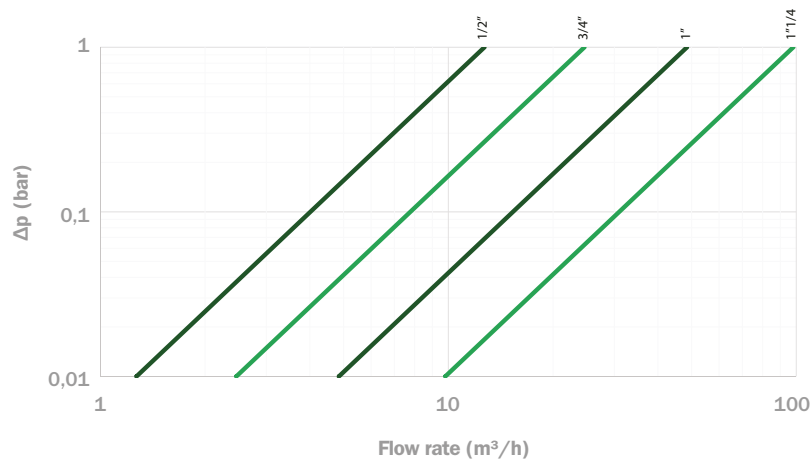
CONNECTIONS: MALE - FEMALE



FEATURES

Dn	L [mm]	L1 [mm]	H [mm]	Ch [mm]
1/2"	64	63	54	25
3/4"	72	73	64	31
1"	83	73	72	38
1"1/4	97	73	82	47

HEAD LOSS DIAGRAM



All informations included in this catalogue, technical features, drawings and descriptions, are not binding and might be subject to variation at any time, without any forwarning. Any reproduction, even partially, is forbidden and legally pursuable.

