

# Compressed air conditioning Pressure regulators, filter integrated type MW-C

a combination of pressure regulator and air filter

## Technical data sheet



## Product description



The pressure regulator with filter type MW-C is a combination of pressure regulator and air filter.

With the filter pressure regulator the requested operating pressures can be adjusted at consumer independent from admission pressure. Furthermore the impurities bigger than pore depth of oil filter are filtered out of pressure air.

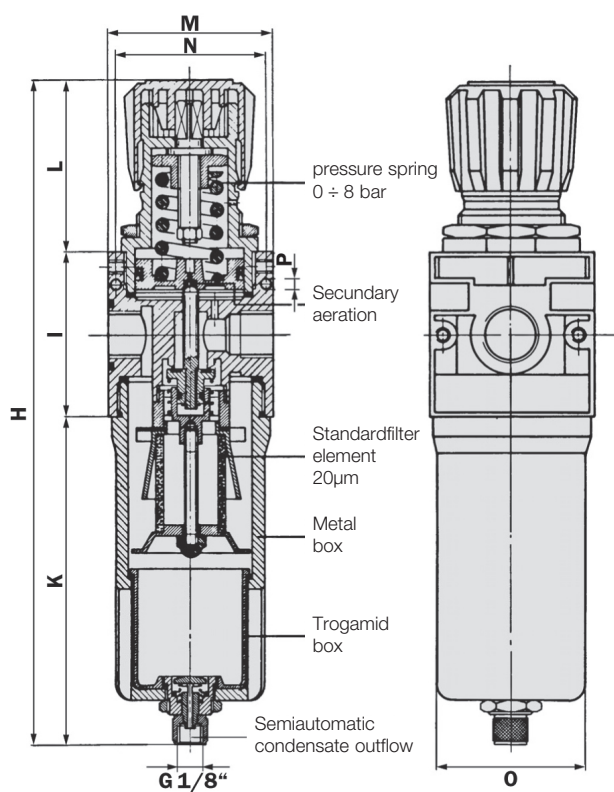
## Technical data

Technical data	
Type	compact construction, with integrated fastening drillings
Fixing device	in stiff conduction system or wall mounting
Connection threads	G 1/4", G 1/2"; with reduction: G 3/8"
Mounting position	vertical
Filter operation	standard: 20 µm; on request: 5 or 50 µm
Box content/ max. condensate capacity	construction size A: (1/04") = 10 cm <sup>3</sup> construction size B: (1/02") = 45 cm <sup>3</sup>
Kind of operation	piston pressure regulator with secondary aeration
Condensate outflow	standard semiautomatic, on request: fully automatic
Control ranges	standard: 0–8 bar on request: 0–12 bar
Temperatures	min. 0 °C, max. +50 °C at 10 bar
Operating pressure	0 to max. 18 bar
Materials:	
Casing	zinc diecasting, varnished
Box	light metal/plastic (polyamide, glass clear)
Filter element	sintered bronze
Outflow valve	plastic
Inner parts	plastic
Sealings	NBR (buna N)
Flowing-through quantities	1/4" to 1.000 NI/min. 1/2" to 2.000 NI/min.
Weights	see dimension chart

## Special features

- compact construction (angle brackets not necessary)
- standard semiautomatic condensate outflow
- protecting cage standard
- sight window of high-grade plastic

## Dimensions



Connection thread	H	I	K	L	M	N	Oø	P	Weight (kg)
1/4 – A	190	42	95	46	42	36	38	4,5	0,45
1/2 – B	240	60	118	60	60	52	54	5,5	1,05

## Designation

MW-C – 1/4 – A – 20 – H – 0 – 8  
 MW-C – 1/2 – B – 20 – H – 0 – 8  
 Manometer M-50 0–10 bar G 1/8"



---

The descriptions and photographs contained in this product specification sheet are supplied by way of information only and are not binding.  
bar GmbH reserves the right to carry out any technical and design improvements to its products without prior notice.  
Warranty: All sales and contracts for sale are expressly conditioned on the buyer's assent to bar GmbH terms and conditions found on its website at [www.bar-gmbh.de](http://www.bar-gmbh.de).  
bar GmbH hereby objects to any term, different from or additional to bar GmbH terms, contained in any buyer communication in any form,  
unless agreed to in a writing signed by an officer of bar GmbH.

---



---

**bar pneumatische Steuerungssysteme GmbH**  
Auf der Hohl 1 • 53547 Dattenberg • Germany  
Tel. +49 (0) 2644 96070 • Fax +49 (0) 2644 960735  
[bar-info@wattswater.com](mailto:bar-info@wattswater.com) • [www.bar-gmbh.de](http://www.bar-gmbh.de)