

KM 70

MAGNETIC DRIVE CENTRIFUGAL PUMPS



- Product designed and constructed in Italy
- Constructed in Polypropylene or PVDF
- Under head use
- Extremely easy to maintain
- Suitable for continuous use



Seal o-ring materials:

- EPDM
- VITON®

Package:

- Wooden crate

Accessories:

- Flange kit (DIN flanges - ANSI on request)

MAIN APPLICATION SECTORS



CHEMICAL
INDUSTRY



WATER AND
SLUDGE
TREATMENT



GALVANIC AND
ELECTRONIC
INDUSTRY



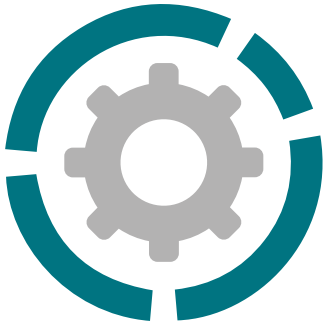
UNDER HEAD USE

KM 70

MAGNETIC DRIVE CENTRIFUGAL PUMPS



Specifications and types



Suction fittings	3" f BSPP or DN 80 - NPT on request
Delivery fittings	2"1/2 m BSPP or DN 65 - NPT on request
Max flow rate	65 m3/h
Max head	29 m
Viscosity up to	150 cps

PP



PVDF



Standard electric motor:

Kw 4 HP 5,5

Casing B5

RPM 2900

Three-phase 230/400 V - 50/60 HZ

ATEX available on request

Kw 5,5 HP 7,5

Casing B5

RPM 2900

Three-phase 400/690 V - 50/60 HZ

ATEX available on request

Kw 7,5 HP 10

Casing B5

RPM 2900

Three-phase 400/690 V - 50/60 HZ

ATEX available on request

IMPELLER

Ø 145 mm (Standard)

Ø 139 mm

Ø 129 mm

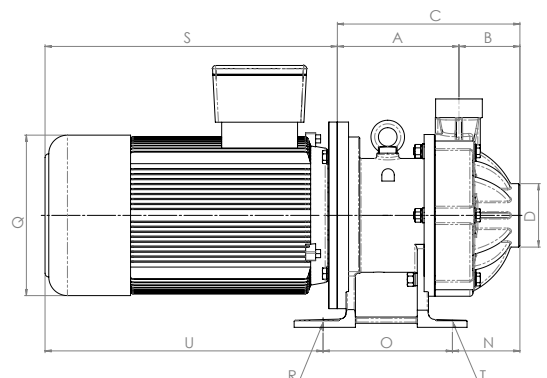
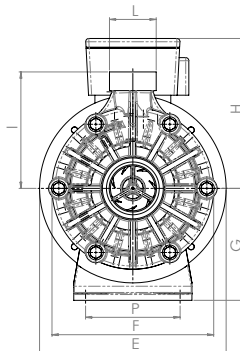
Ø 119 mm

Operating temperature and weights:

PP from -20°C to + 100°C, 33 Kg*

PVDF from -20°C to + 100°C, 34,5 Kg*

*The weights refer to the pump without the motor



Length measurements in mm

MODEL	CASE	POWER	A	B	C	D	E*	F	G	H*	I	L	N	O	P	Q*	R	S	WEIGHT KG
KM70	IEC 112	4 Kw	196	98	294	3" f(**)	250	260	180	169	187,2	2"1/2m(**)	100	208	152	218	8,5	334	29
KM70	IEC 132	5,5 Kw	196	98	294	3" f(**)	300	260	180	190	187,2	2"1/2m(**)	100	208	152	256	8,5	385	41
KM70	IEC 132	7,5 Kw	196	98	294	3" f(**)	300	260	180	190	187,2	2"1/2m(**)	100	208	152	256	8,5	425	48

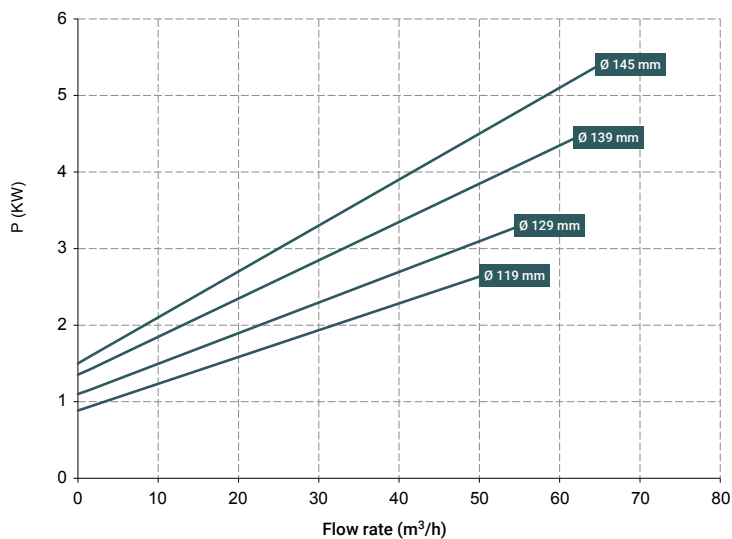
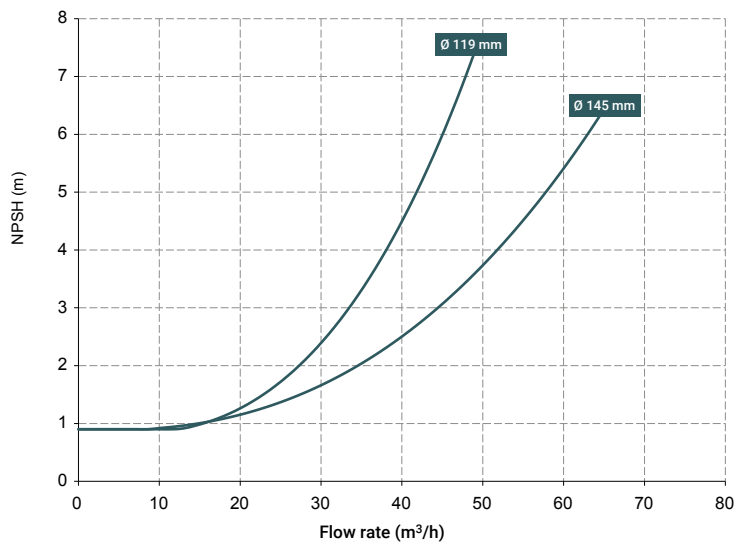
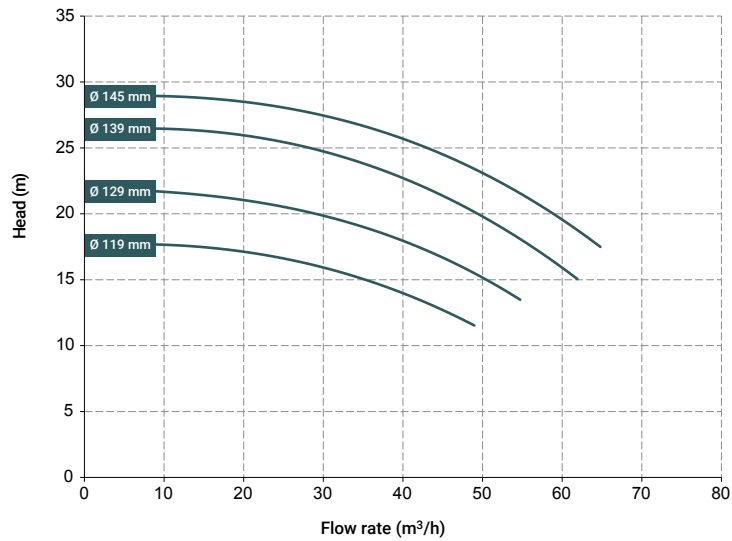
* Measurements may vary depending on the motor supplier.

KM 70

MAGNETIC DRIVE CENTRIFUGAL PUMPS



Specifications and types



The curves and performances refer to tested pumps, with water at 20 °C, two-pole motor 50 Hz (2900rpm).