

Three-Phase-Asynchronous-Motor ACM 160 M 4/SPE

IE4AC16M4000

General data

Type of motor	3~
Type designation	ACM
Frame size	160
Mounting	B3
Frame execution	M
Frame material	Cast iron
Insulation class	F/B
Terminal box location	top DE
Terminal box orientation	cable gland to the right side
Weight (kg)	146,00
Rotation Direction	right /left
Vibration level	A
Balancing method	half key
cooling type	IC411
Executed acc. to noise level	IEC 60034-1 IEC 60034-9

Electrical data

Power 1 50Hz (kW)	11,00
Power 1 60Hz (kW)	13,20
Frequency (Hz)	50/60
Voltage 50Hz (V)	400/690
Voltage 60Hz (V)	460/795
Voltage/Frequency tolerance (not valid for range voltage)	range B
Connection	Δ/Y
Poles	4
Efficiency 100% 50Hz (%)	93,3
Efficiency 75% 50Hz (%)	93,3
Efficiency 50% 50Hz (%)	91,4
Efficiency 100% 60Hz (%)	94,1
Efficiency 75% 60Hz (%)	93,6
Efficiency 50% 60Hz (%)	92,4
Power factor	0,85
Starting current (Ia/In)	7,7
Starting torque (Ma/Mn)	2,2
Breakdown torque (Mk/Mn)	2,3
Current 50Hz (A)	20,02/11,61
Current 60Hz (A)	21,01/12,19
Eff.Cl.50Hz	IE4
Eff.Cl.60Hz	IE4

Motor characteristics

Color	RAL7030
Paint surface	shiny
Protection class	IP55
Cable gland size (cable connection)	1xM40x1,5 1xblind plug
Cable gland size (option)	M20x1,5
Cable gland type	Standard
Shaft end (mm)	42 x 110
Shaft material	C45
Specification NDE	Plastic fan

Mechanical data

Torque (Nm)	71,22/71,22
Rotation speed (1/min)	1475/1770
Bearing DE	6309.ZZ.C3
Bearing NDE	6209.ZZ.C3
Mounting of bearing DE	loose bearing
Mounting of bearing NDE	fixed bearing
Bearing lifetime (h)	20000
allow. Radial load (X/2) (N)	2900
allow. Radial load (X0) (N)	3275
allow. Radial load (Xmax) (N)	2525
allow. Axial load B3,B5,B35,B14,B34 (N)	2850
allow. Axial load V1,V3,V19,V18 (N)	2770
Moment of inertia (kgm ²)	0,09882

Influencing factors

Duty	S1
Ambient temperature (°C)	-20 up to +40
Height of location (m)	1000

Additional options

Protection winding	PTC 150°C
--------------------	-----------

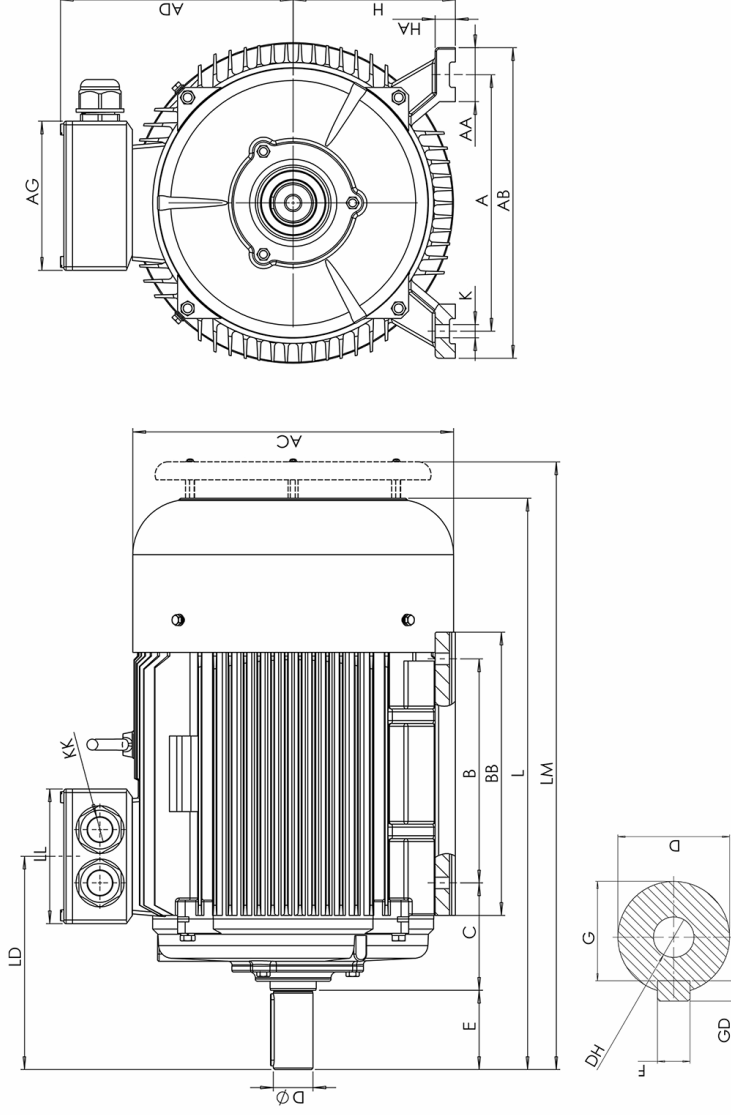
Technical changes and errors reserved.

23.07.2021

Drawings

Three-Phase-Asynchronous-Motor ACM 160 M 4/SPE IE4AC16M4000

Die Zeichnung dient lediglich als Skizze um Maße darzustellen. Das gelieferte Produkt kann von dieser Skizze abweichen. Die detaillierte Beschreibung des Produkts befindet sich im Datenabschnitt (Seite 1).
The drawing serves only as a sketch to show dimensions. The delivered product may differ from this sketch. The detailed description of the product can be found in the Data section (page 1).



IPE/KK	DH	K	ED	G	LL	LD	L	AG	GD	EB	F	HA	H	E	D	C	BB	B	AD	AC	AB	AA	A
M40x1.5	M16x36	14,5	10,00	37,00	152,00	256,00	663,00	162,00	8	90	12	20	160	110	42	108	315	210	260	335	319	65	254

LM
708