



# DATA SHEET

THE TENSION CONTROL SPECIALISTS

## TRUE VIEW™ 1100 TENSION INDICATOR



### FEATURES & BENEFITS

The TrueView™ 1100 Tension Indicator features a bright 500 nit, impact resistant touch screen display suitable for industrial environments. Housed in an alloy enclosure, it is machined from solid 6061-T6 billet aluminum for superior strength & durability. Engineered with flexibility in mind, the TrueView™ 1100 can be DIN rail-mounted, panel-mounted (with included bezel) or affixed to a vertical column with a band-style clamp.

The intuitive menu system provides quick access to calibration, operation and diagnostic functions. After selecting a tension range and unit of measure, calibrating the TrueView™ 1100 requires only 3 steps: Zero the transducers (load cells), hang a calibration weight and save the calibration to memory.

The TrueView™ 1100's time-lapse mode provides a tension history plot within an adjustable 30 second to 30 minute sliding window - useful for identifying process trends, anomalies or problems during operation. Adjustable display brightness and update intervals provides operators with eye-comfort and display damping capabilities specific to their needs. An integral lockout code restricts access to anyone not authorized to adjust the TrueView™ 1100's configuration settings.

Simultaneous 0-10 VDC and 4-20 mA isolated tension outputs allow for integration with a PLC, drive or data logger. Built-in diagnostic capability identifies faulty load cells, incorrect wiring, calibration issues and amplifier ADC/DAC failure.

Measuring 4.9" wide x 3.75" tall, the TrueView™ 1100's compact size, ease-of-use and flexible mounting options make it a natural choice for the OEM or end user seeking a reasonably-priced, next-generation interface. The TrueView™ 1100 is backward-compatible with all DFE tension transducers manufactured since 1974.

INDUSTRY LEADING FIVE YEAR WARRANTY

# SPECIFICATIONS

**Model:** 1100TV

**Display:** 4.3" LCD Touchscreen, Capacitive,  
500 Nits Brightness

**Power Input:**

Voltage: 24 VDC +/- 10%

Current: 0.1 ADC Typical, Internal Fusing  
PTC Resettable

**Tension Indicator Accuracy:**

+/- 1/2% Drift at Ambient Maximum

**Calibration Range:** Up to 50:1

**Processor:** 32 Bit

**ADC Resolution:** 16,777,216 (24 Bit)

**DAC Resolution:** 4,096 (12 Bit)

**Tension Outputs:**

Output 1: 0-10 VDC Isolated from 24 VDC  
Input GND

Output 2: 4-20 mA Isolated from 24 VDC  
Input GND

**Temperature Range:** 32°F to 122°F (0°C to 50°C)

**Dimensions:** 4.9" W x 3.75" H x 1.36" D

**Weight:** 1.5 lbs (681g)

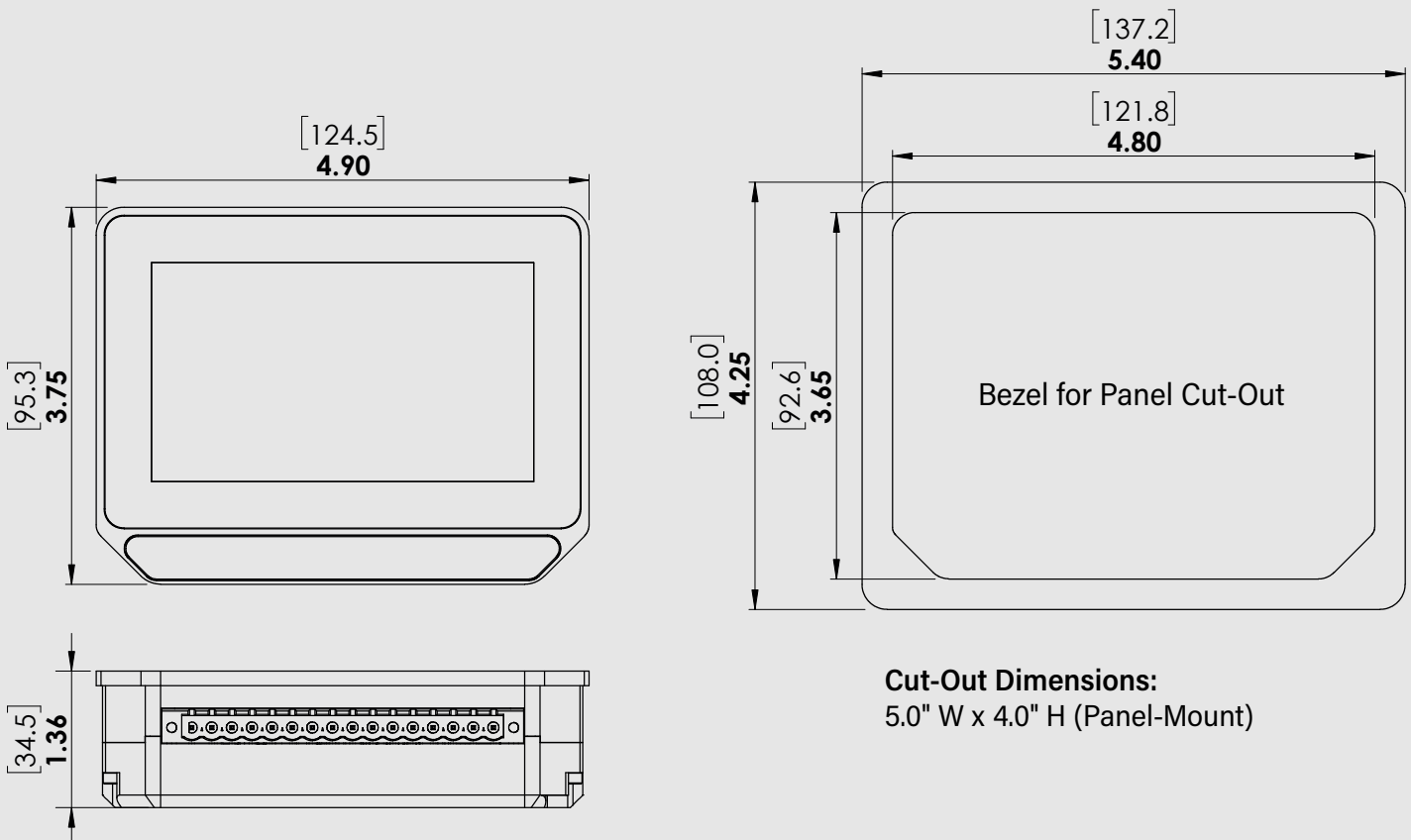
**Enclosure:** 6061 - T6 Aluminum, Black Hard Coat  
Anodized

**Included Mounting Hardware:**

DIN Rail Clip, Bezel & Z-Bars, Clamp Bracket,  
Screws

**Certifications:** CE-marked

# DIMENSIONS



**Cut-Out Dimensions:**  
5.0" W x 4.0" H (Panel-Mount)

