

- **Mechanical stroke adjustment**
- **Stroke frequency regulation**
- **Pulse control**
- **Pulse multiplication and division**
- **Pulse memory**
- **Standard signal control**
- **Empty signal and low level warning**
- **External metering lock**
- **Empty signal and stroke signal output**
- **Metering regulator (readjustment of metering output) in combination with an oval gear meter**



The ELADOS® EMP III series of metering pumps is constructed on the building block principle. It comprises the drive unit, the gear box unit, the metering pump head and the electronics. Different designs of drive option allow the pump to be

adapted to any processing sequence for quantity or proportional metering. The scope of delivery is rounded off by practical accessories, so forming a complete range of equipment for all metering uses.



Technical Data:

Mechanical Data:

Pump capacity [l/h]:	80	120
Metering back-pressure [bar]:	4	3
Delivery capacity per stroke [cm ³]:	10.8	16.1
Reproductivity:	<± 3 %	
Suction height:	2 mWs, suction height with clean, slightly wet valves	
Metering frequency max.:	122 1/min	
Pressure valve:	without spring	
Suction valve:	without spring	
Ambient temperature max.:	40° C	

Electrical Data:

Connection:	230 V / 50/60 Hz
	At a mains frequency of 60 Hz, delivery capacity increases by 20 %, whereas metering back-pressure decreases by 20 %.
	Special voltages on request
Current consumption [mA]:	950 (50 Hz)
Power output [W]:	90 (50 Hz)
Safety type:	IP 55
Insulation class:	F

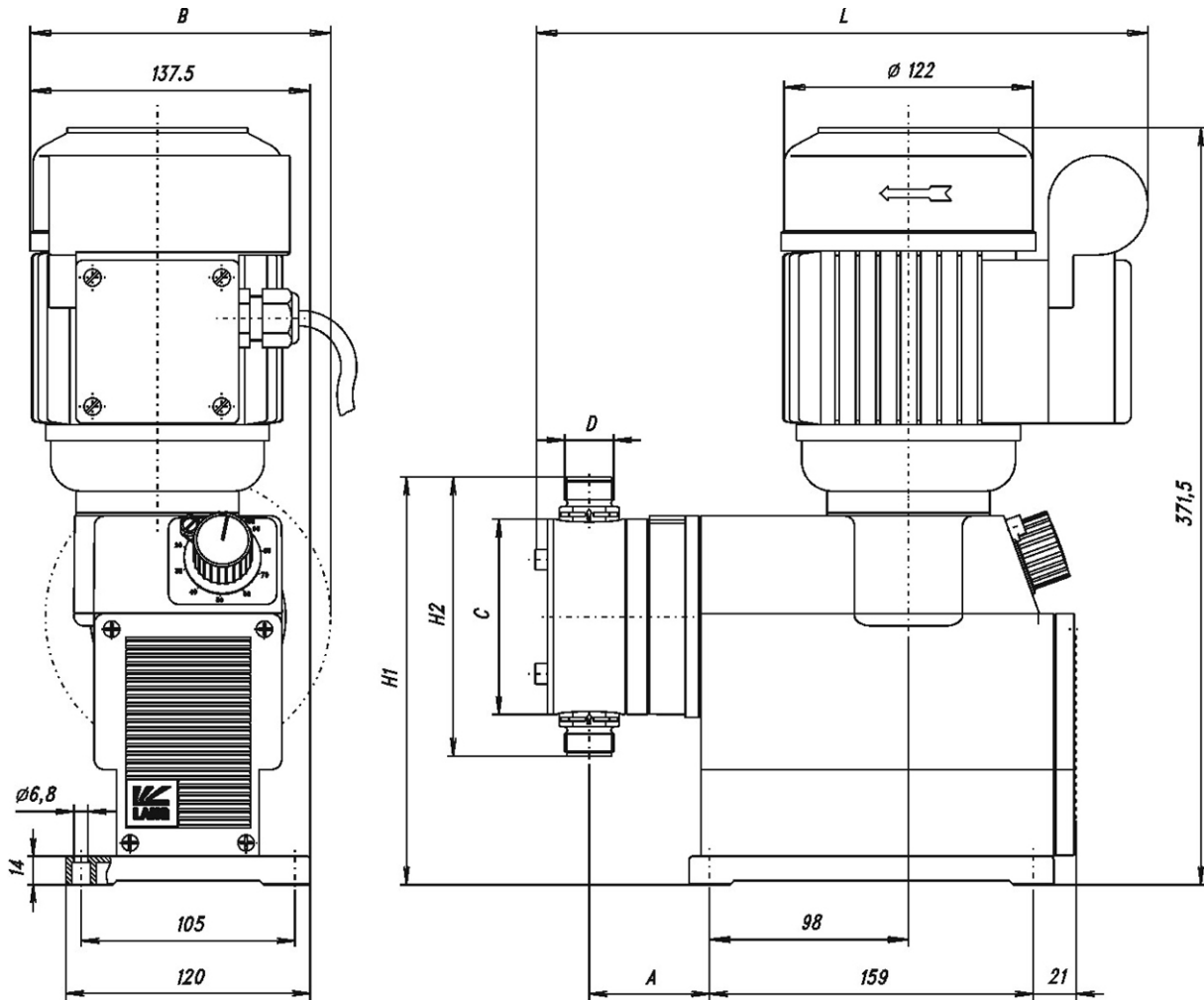
All values at 50 Hz. All data refer to water temperature of 20 °C according to the instructions of the technical manual, subject to!

Material:

Housing:	thermoplastic polyester
Pump head:	polypropylene optional PVDF, PVC or stainless steel 1.4571
Diaphragm:	PTFE – EPDM compound diaphragm
Seals:	FPM 602 (Viton B) optional EPDM or Kalrez
Valve balls:	ceramics optional PTFE or stainless steel 1.4401
Weight [kg]:	8.6 8.8
Colour:	blue RAL 5007
Special versions on request	

Dimensions:

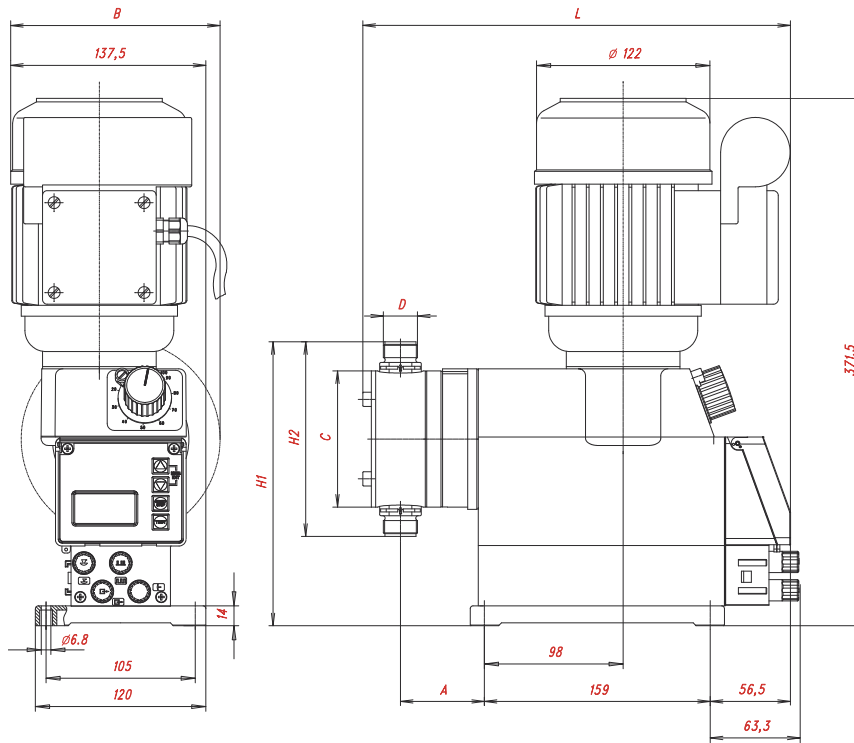
Version E 00



Capacity l/h	Dimensions [mm]					
	A	C	L	H1	H2	D
80	74.5	∅ 130	328	219.3	175.5	1 ¼"
120	74.5	∅ 140	330	224.3	185.5	1 ¼"

Dimensions:

Version E 10 – E 60



Capacity l / h	Dimensions [mm]						
	A	B	C	L	H1	H2	D
80	74.5	140	$\varnothing 130$	328	219.3	175.5	1 1/4"
120	74.5	145	$\varnothing 140$	330	224.3	185.5	1 1/4"