

# MARINE MOTORS



enerkoi

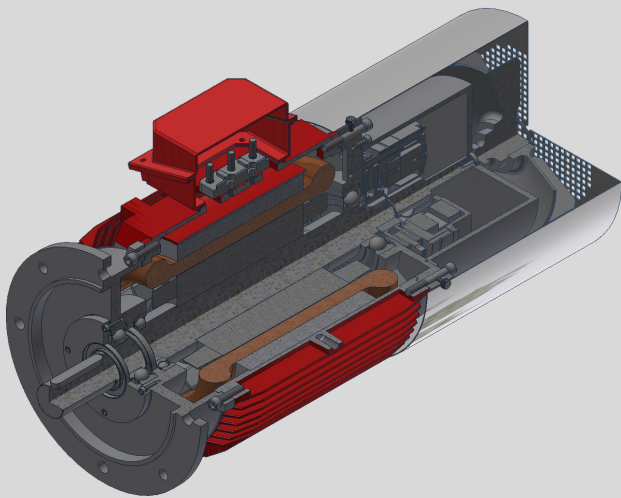


## MARINE MOTORS

Motors for marine applications are prepared to operate in extreme conditions and adverse environments. Specially designed for use on ships below deck and for the offshore industry.

### Technical Data

TYPE	POWER (kW)	SPEED (rpm)	TENSION (V)	FREQUENCY (Hz)	TORQUE (Nm)
132S	5,5	1445	400	50	36,4
132M	7,5	1450	400	50	49,4
160M	11	1455	400	50	72,2
160L	15	1460	400	50	98,1
180M	18,5	1470	400	50	120,2
180L	22	1465	400	50	143,4
200L	30	1465	400	50	195,6
225S	37	1470	400	50	240,4
225M	45	1475	400	50	291,4
250M	55	1475	400	50	356,1
280S	75	1480	400	50	484,0
280M	90	1480	400	50	580,8
315S	100	1485	400	50	643,2
315M	132	1485	400	50	849,0
315L	160	1485	400	50	1029,1
315XL	200	1485	400	50	1286,3
355M	250	1485	400	50	1607,9
355L	280	1485	400	50	1800,9
355XL	315	1485	400	50	2026,0
355XL	355	1485	400	50	2283,3

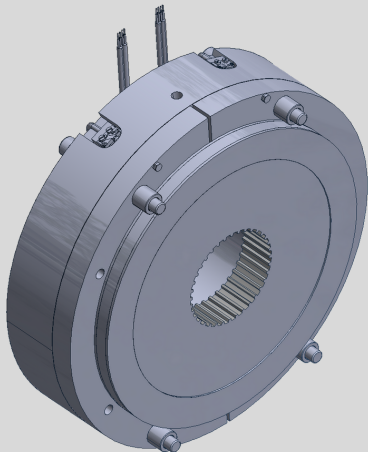


## Specifications:

- Special motors for use in extreme conditions
- IP55 / IP54 / IP65 / IP66 enclosures
- IC410 / IC411 / IC416
- Different constructive shapes
- Special flange and shafts
- Painting: Under specified procedures
- Accesories; Encoder, thermal probes, resistors, etc...

## ELECTROMAGNETIC BRAKE

MODEL	01	01 SE	02	02 SE	03	03 SE	04	04 SE	05	05 SE
STATIC TORQUE (-15%, +50%) Nm	400	500	900	1100	1600	1800	2200	2600	4000	4600
DINAMIC TORQUE (-0%, +50%) Nm	400	500	900	1100	1600	1800	2200	2600	4000	4600



## Specifications:

- DC brake
- Up to 4.600Nm
- Optional hand release
- Microswitch open/closed
- Microswitch wear disk brake

## MOTOR CERTIFICATION

We make all the required tests in our fully equipped test bench for motor certification according to the standards of the leading classification authorities (TIC).



ENERKOI BASQUE ENERGY S.L.  
C/Uzturre 1, Oficina 203, Pol. Ind. Apatta-Erreka  
20400, IBARRA Spain  
Tlf.: +34 943 544 002, E-Mail: [info@enerkoi.com](mailto:info@enerkoi.com)  
[www.enerkoi.com](http://www.enerkoi.com)