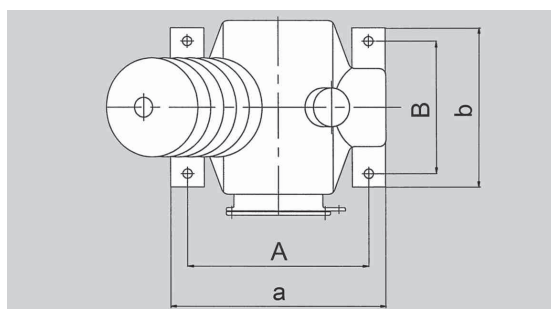
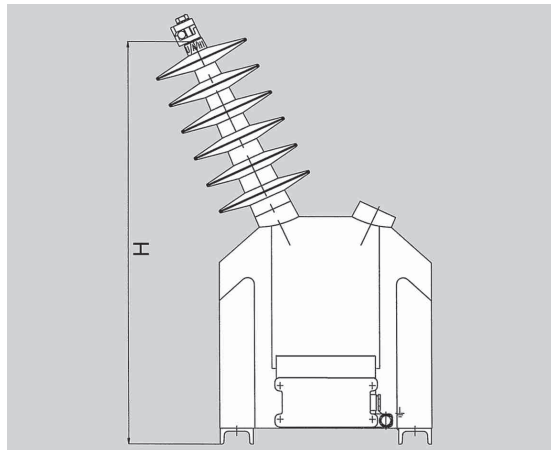




VEF

Voltage Transformer Outdoor

VEF 12 | 17,5 | 24 | 36



TYPE VEF Dimensions mm				
	VEF 12	VEF 17,5	VEF 24	VEF 36
A	270	270	270	270
B	160	160	160	200
a	310	310	310	320
b	185	185	185	240
H	380	490	490	622

TYPE VEF						
			VEF 12	VEF 17,5	VEF 24	VEF 36
U_m		kV	12	17,5	24	36
Test voltages		kV	28 75	38 95	50 125	70 170
Rated Primary Voltage – U_{PN}		V	$10000/\sqrt{3}$ $11000/\sqrt{3}$	$13800/\sqrt{3}$ $15000/\sqrt{3}$	$20000/\sqrt{3}$ $22000/\sqrt{3}$	$30000/\sqrt{3}$ $33000/\sqrt{3}$
Rated Secondary Voltage – U_{SN}		V	$100/\sqrt{3}$ $110/\sqrt{3}$			
Rated Secondary Voltage for the Earthing Core(en)		V	$100/3$ $110/3$			
Rated Output in Accuracy Class (IEC)	0,2	VA	40	40	40	50
	0,5	VA	100	100	100	100
	1,0	VA	200	200	200	200
Thermal Limit Current		A	6	9	9	10
Thermal Limit Current at $1,9 \times U_N / 8h$		A	6	6	6	10
Frequency		Hz	50 60			
Creepage Distance		mm	400	745	745	950
Weight		kg	33,5	35,5	35,5	51

Subject to Technical Changes



GERMANY HAMBURG • WIRGES • KIRCHAICH • DRESDEN
AUSTRIA MARCHTRENK | HUNGARY KECSKEMÉT | CHINA SHANGHAI | USA LAVONIA

