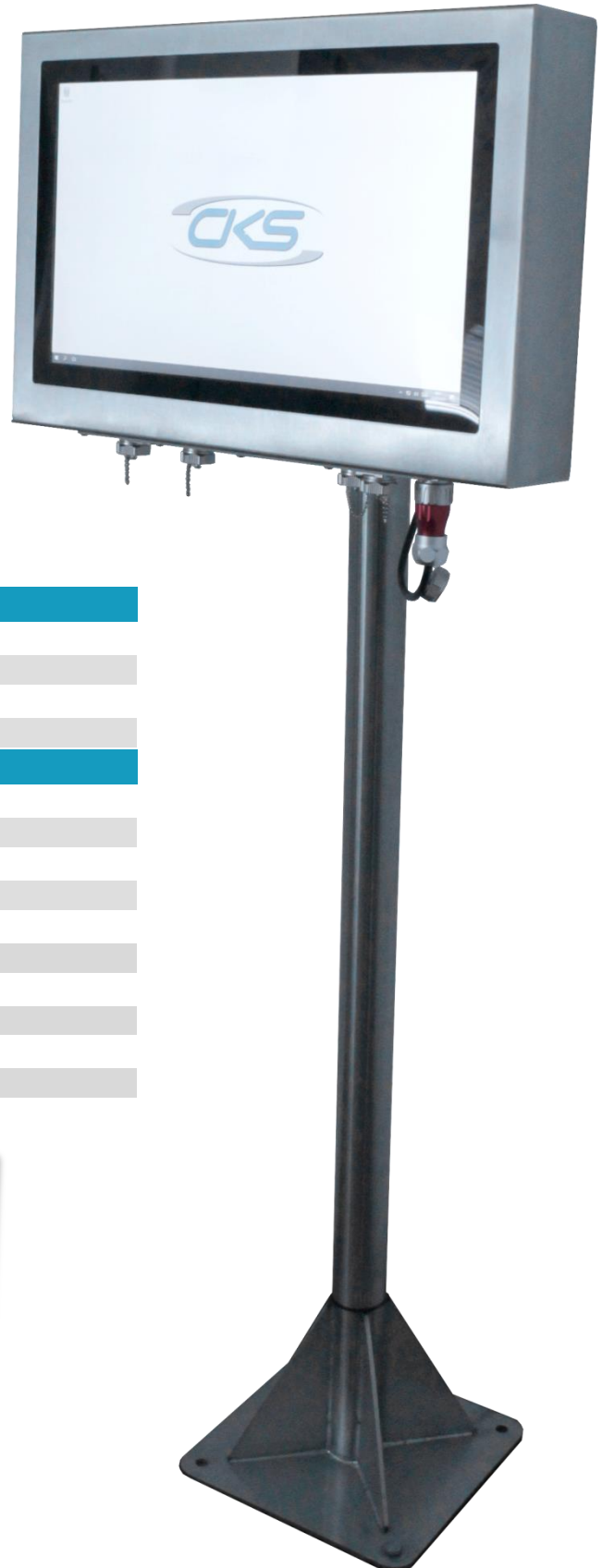




## Stainless Steel Workstation Assembly

### Overview

The Work station assembly has been designed to be used in industrial environments. The tough stainless steel finish makes it ideal for harsh applications and suitable for wash down areas. It allows the mounting of our standard stainless steel ClientPC, ThinClient or SlimMonitors with the option of being assembled together with either a stainless steel 96T, 96P, 128T or 128P keyboard to either a sturdy wall or our own stainless steel floor mount pedestal.

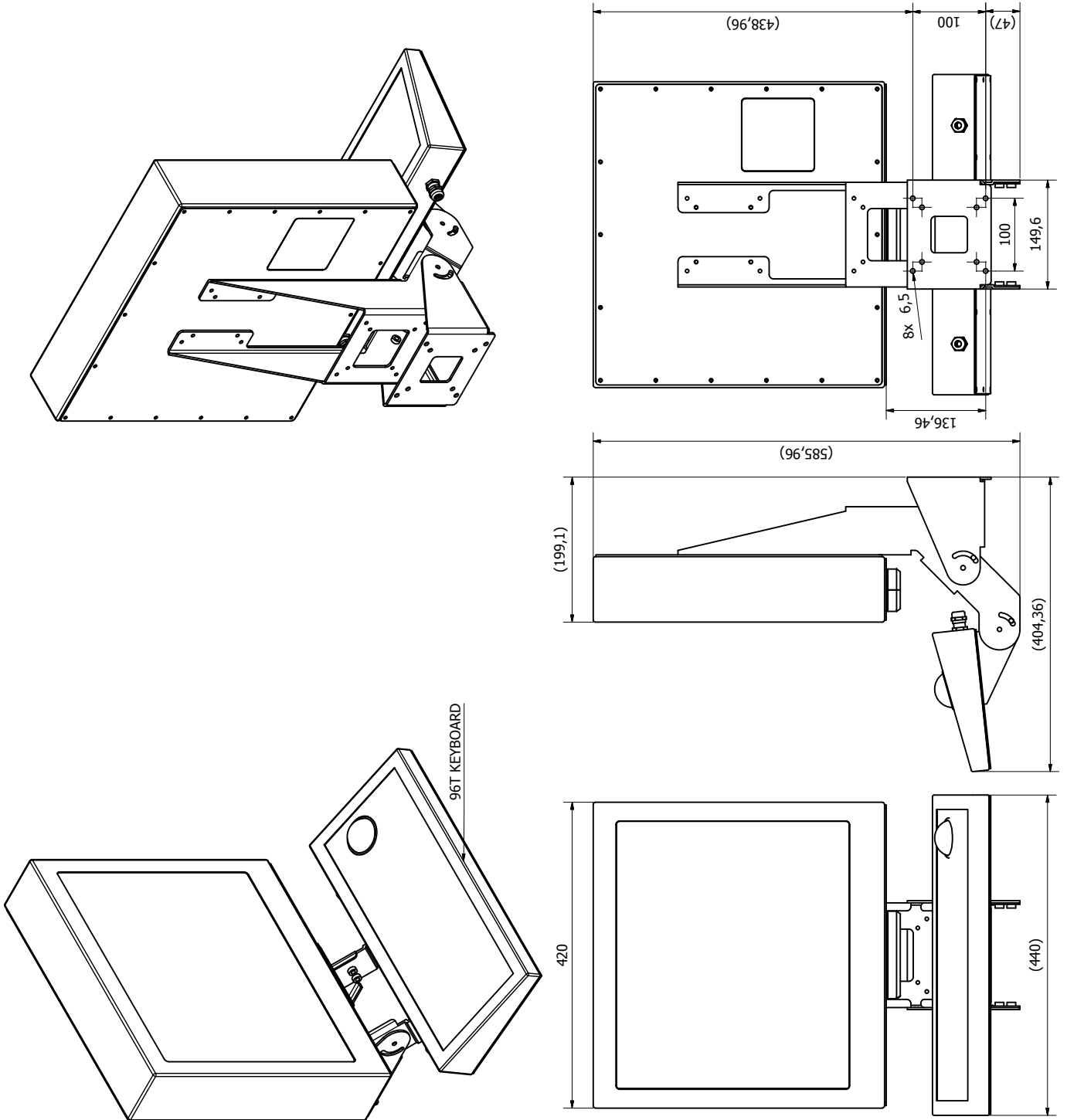


### General Specifications

MECHANICAL	
Material	Stainless Steel (304)
Mounting	VESA 75 mount
Dimensions (mm)	See pages 2 & 3
Weight (g)	17Kg
SUITABLE FOR	
12.1" Rugged Industrial Client Computer	
17" Rugged Industrial Client Computer	
22" Rugged Industrial Client Computer	
12.1" Rugged Industrial Display	
17" Rugged Industrial Display	
22" Rugged Industrial Display	
96 Key Rugged Industrial Keyboard with Trackerball	
96 Key Rugged Industrial Keyboard with Touchpad	
128 Key Rugged Industrial Keyboard with Trackerball	
128 Key Rugged Industrial Keyboard with Touchpad	



## Dimensions - S17 Workstation with 96T Keyboard



## Dimensions - Pedestal

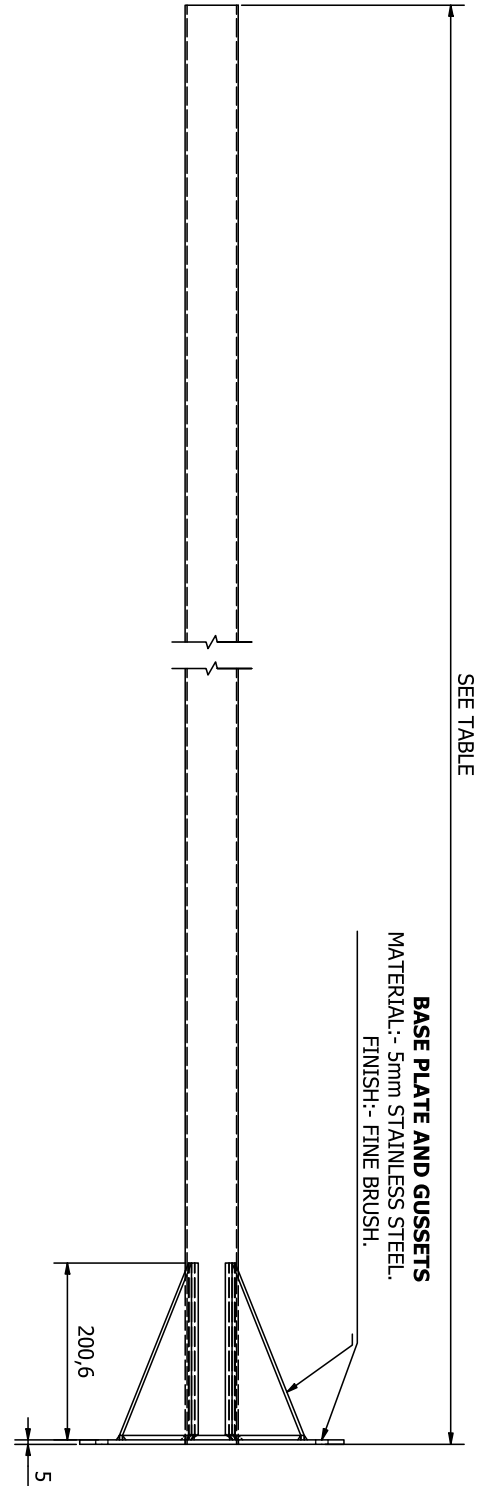
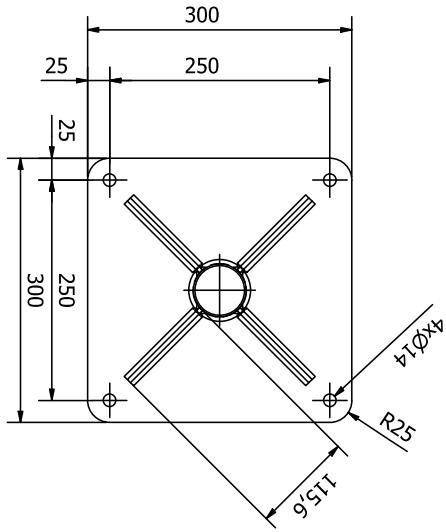


TABLE				
PART NUMBER	LENGTH	MATERIAL	FINISH	COLOUR
PEDC_60_150_SB0	150cm	60.3x2 S/S 304 TUBE	FINE BRUSH	NATURAL