

# BELLOW SEALED GLOBE VALVE

## TYPE 3563 - PN16

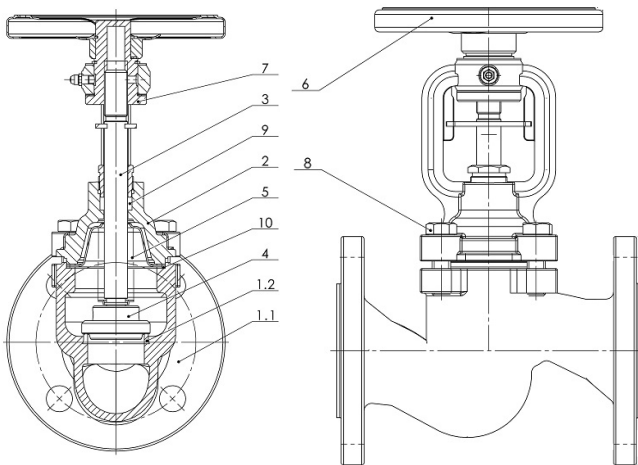


### GENERAL

DIMENSION:	DN15 TO DN200
PRESSURE:	PN16
TEMPERATURE:	-10°C TO 300°C
FLANGES:	EN1092-2
MATERIAL:	CAST IRON
FACE TO FACE:	EN558-1

### OPTIONS

MATERIAL:	DUCTILE IRON PN16 - MAX. 350°C
DISC:	FOR FLOW CONTROL



POS	DESCRIPTION	MATERIAL
1	BODY	CAST IRON EN-GJL250
1.2	SEAT	STAINLESS STEEL 1.4021
2	BONNET	CAST IRON EN-GJS-400-18-LT
3	STEM	STAINLESS STEEL 1.4021
4	DISC	STAINLESS STEEL 1.4021
5	BELLOW	STAINLESS STEEL 1.4571
6	HANDWHEEL	STEEL
7	SLEEVE	STEEL 11SMnPb30
8	STUD BOLT	STEEL 5.6
9	GLAND PACKING	GRAPHITE
10	BONNET GASKET	GRAPHITE+CrNiSt

### DESCRIPTION

- High quality globe valve.
- High tightness (leakproofness class A acc. to EN12266-1).
- Compact and tested design.

### SUITABLE FOR



INDUSTRY



MARINE



HEATING SYSTEM

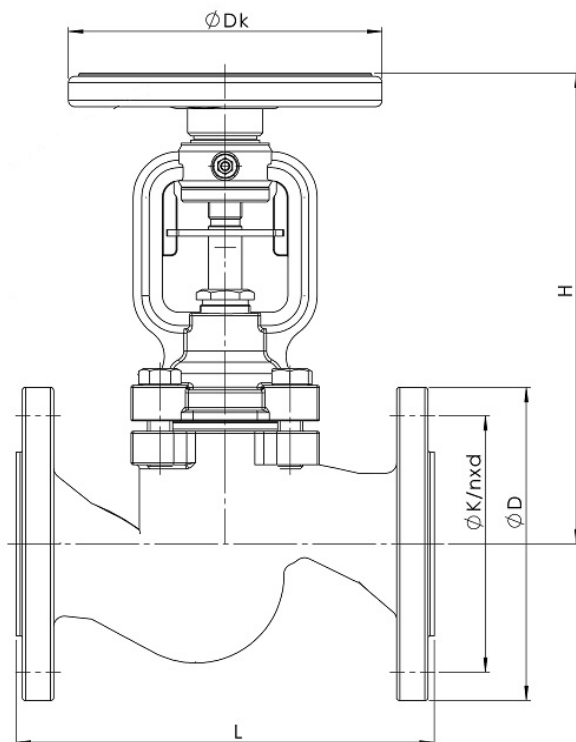


STEAM



COOLING SYSTEM

## DIMENSIONS



DIM	VALVE [MM]			FLANGE [MM]			Kvs [M <sup>3</sup> /H]	WEIGHT [KG]
	L	Dk	H	D	K	nxd		
DN15	130	125	178	95	65	4x14	5.9	3.2
DN20	150	125	178	105	75	4x14	7.4	3.9
DN25	160	125	193	115	85	4x14	13.0	4.9
DN32	180	125	201	140	100	4x19	18.0	6.5
DN40	200	150	224	150	110	4x19	30.0	9.0
DN50	230	150	228	165	125	4x19	41.0	11.0
DN65	290	175	270	185	145	4x19	79.0	15.8
DN80	310	200	295	200	160	8x19	115.0	24.3
DN100	350	250	325	220	180	8x19	181.1	35.0
DN125	400	300	380	250	210	8x19	225.0	49.0
DN150	480	400	427	285	240	8x23	364.0	76.0
DN200	600	500	569	340	295	12x23	725.0	130.5

## PRESSURE / TEMPERATURE

