

200 Oneshot single dose pump



- Single dose dispense on operation of membrane button.
- Easy dose volume setting.
- Fast & slow speed option.
- Flow rates up to 165 ml/min.
- Optional Higher Accuracy Filling Version

Utilising the standard 200 series pump head the Oneshot pump is designed to offer a repeatable single dose on operation of the membrane button with flow rates up to 165ml/min. It is available in multiple tube materials and sizes and comes complete with a plug in power supply (100-250v input) with interchangeable UK,EU & US heads. As standard the unit is wall mountable.

Options available are: Higher accuracy filling version. Stainless steel bench stand. Install kit.

Operating instructions:

To prime tube press and hold start button until led flashes, press and hold start again and led flashes slower, press and hold again led flashes fast. Press button (short press) pump will run, press button to stop pump when complete.

To set dose/filling volume press and hold start button until led flashes, press and hold again led flashes slower. The next start button press (short press) will start pump. Using container or measuring cylinder collect pump output, once desired amount is achieved press button again which will stop pump and commit setting to memory.

Unit can be re-programmed as often as required and will save the last setting entered even after power is removed from the unit.

To fill or dose press start button once, pump will then discharge volume as set. On the standard dosing version there is an approx 18 sec delay before the dose can be repeated. On the filling version this delay is 1 sec.

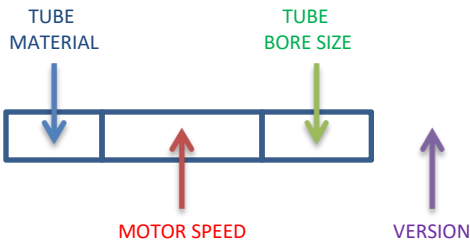
The Williamson Manufacturing Company Ltd provides no warranty on usage of pumps. We recommend that life tests be carried out prior to use. This information is given in good faith and believed to be correct at the time of publishing. The Williamson Manufacturing Company Ltd cannot accept responsibility for inaccuracy or any errors contained herein. Copyright the Williamson Manufacturing Company Ltd 2008.

Williamson Manufacturing Co Ltd
Unit 5, Lady Bee Industrial Estate
Albion Street
Southwick
West Sussex BN42 4EP
UK

Email: sales@williamsonpumps.co.uk

200 Oneshot single dose pump

Devise your product code:



For example: A Oneshot pump with 5mm bore silicone tube, 140 rpm dosing version would be OS-200-140-050.

Note: Pump head fitted with barbed connectors for 4mm id suction/discharge tubing

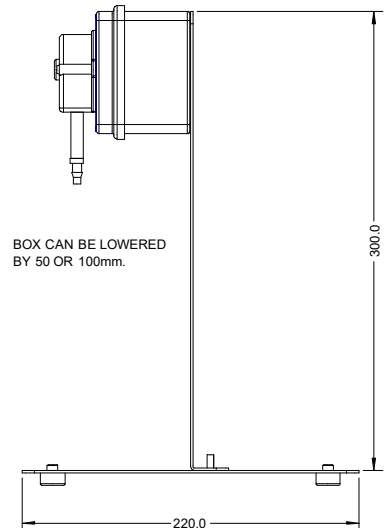
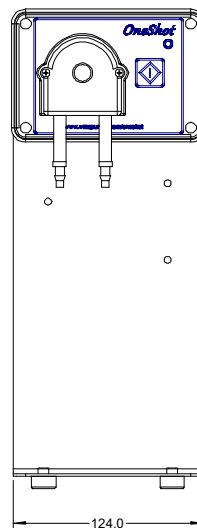
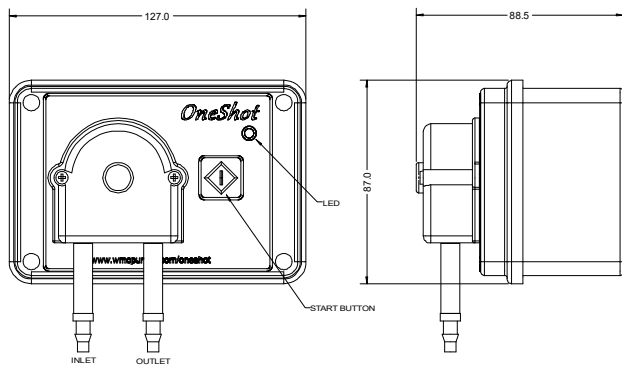
Flow rates ml/min.

Speed	1.6mm Tube	3mm Tube	5mm Tube
35rpm	7	20	40
140 rpm	28	80	165

	Product Code
Tube Material	
Silicone	OS-200-
Tygon Norprene®	OS-201-
Viton®	OS-202-
Tygon Norprene Chemical® (not 5mm on 140 rpm pumps)	OS-207-
Speed	
35 rpm	070-
140 rpm	140-
Tube Bore Size	
1.6mm (not available in Tygon Norprene Chemical)	-016
3mm	-030
5mm	-050
Version	
Dosing	
Filling	-F

Note: These flow rates are based on Silicone tubing pumping water. Norprene will be approx. 10-15% less. Viton & Norprene Chemical will be approx. 20-25% less.

All flow figures are for guidance only and are effected by tube tolerances, age, back pressure and fluid viscosity.



Optional Install kit comprising 6m pvc 4mm id suction discharge hose, tube straightener, foot filter & 4 small cable ties.

Optional Bench stand supplied un-assembled. To assemble screw upright to base, undo box lid and screw through back of box to upright in 1 of 3 positions. Fit feet into base (omit if screwing to bench). All necessary fasteners supplied.

The Williamson Manufacturing Company Ltd provides no warranty on usage of pumps. We recommend that life tests be carried out prior to use. This information is given in good faith and believed to be correct at the time of publishing. The Williamson Manufacturing Company Ltd cannot accept responsibility for inaccuracy or any errors contained herein. Copyright the Williamson Manufacturing Company Ltd 2008.

Williamson Manufacturing Co Ltd
Unit 5, Lady Bee Industrial Estate
Albion Street
Southwick
West Sussex BN42 4EP
UK

Email: sales@williamsonpumps.co.uk