

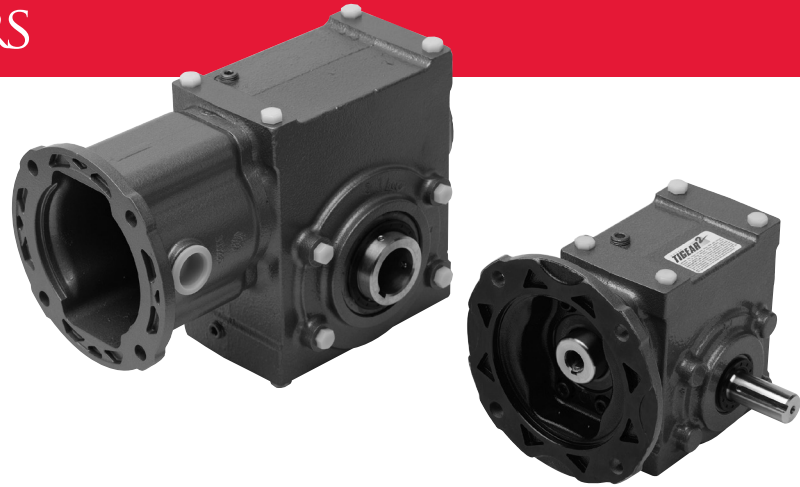
# TIGEAR<sup>2</sup> E-Z KLEEN REDUCERS



GEARING

## Dodge® E-Z Kleen® Reducers—The Best Choice For Food and Beverage Industries

All E-Z Kleen reducers include premium features the competition doesn't offer. The totally enclosed ventless sealing system contains a factory filled synthetic lubricant that eliminates the need for routine oil changes. Simply install it, then forget it.



### Standard Features Include:

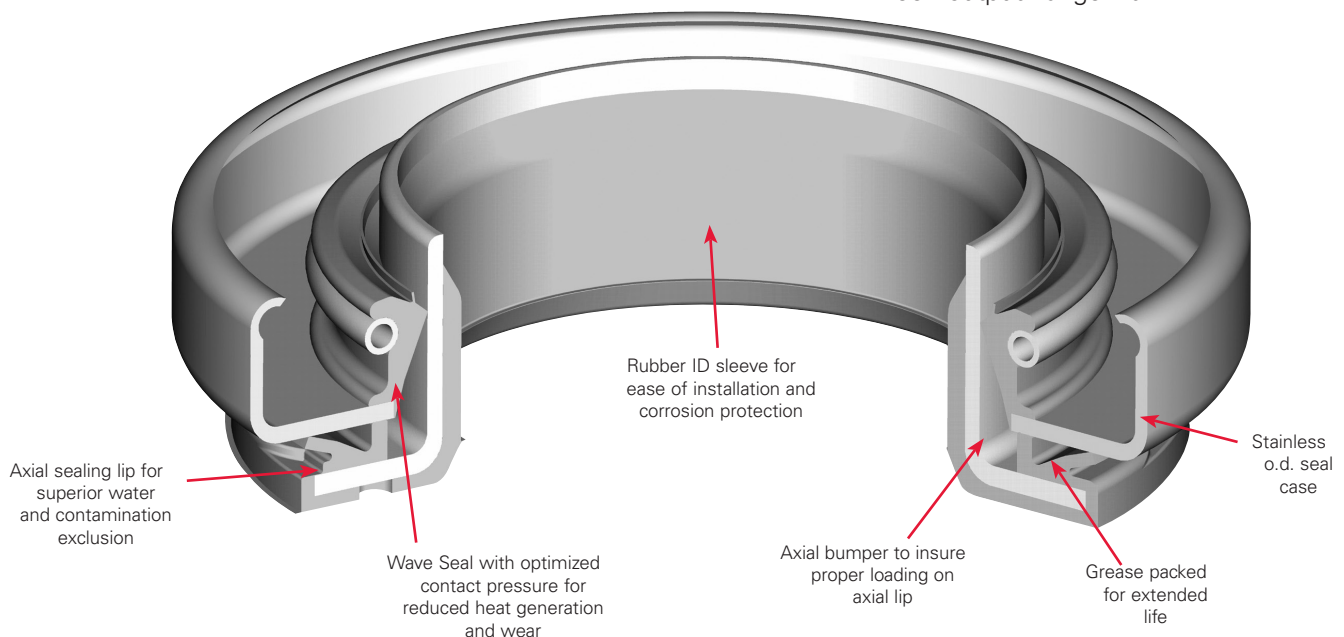
- A 13-step coating system which provides greater than three times the corrosion resistance of standard epoxy painted units
- Stainless color top coat, white finish also available
- Available in solid and hollow output shafts
- 300 series Stainless Steel solid and hollow output shafts and stainless hardware
- Two-piece harsh duty output seals
- Factory filled H1 food grade synthetic lubrication
- Offered in sizes 13 through 35 in Quill and 3-Piece Coupled input with solid or hollow output configurations

### Availability:

- Wide selection of units available from stock
- Same day air shipment offered on most sizes if order is received by Noon EST, or next business day air if order received after Noon EST

### Washdown Accessories include:

- Stainless Steel Straight Bore Bushings
- Stainless Steel GRIP TIGHT Bushings (as available)
- E-Z Kleen bolt-on base
- E-Z Kleen riser block kit
- E-Z Kleen j-mount kit
- E-Z Kleen output flange kit



## Stainless Steel Hollow Reducer Bushing Kits:

Select stainless steel reducer model from part number table. Bushing kits allow hollow output reducers to be mounted to various diameter shafting. Each kit includes bushing and key.



Above: Straight Bore Stainless Steel Bushing Kit



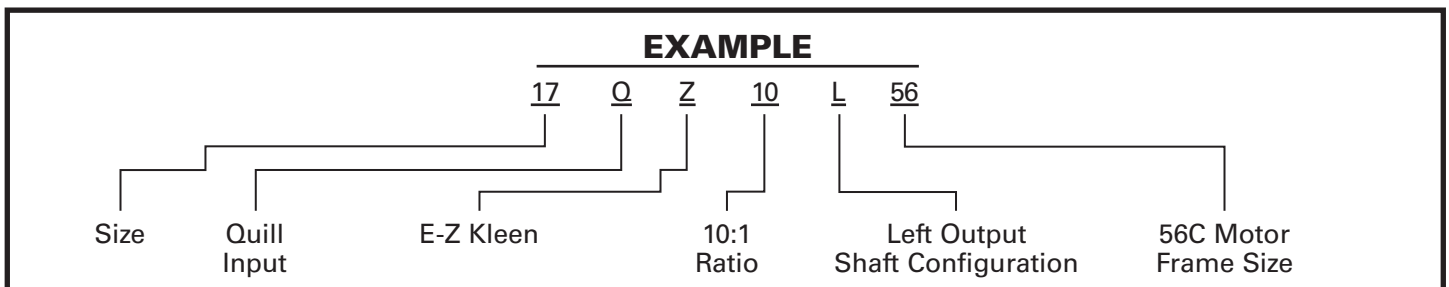
Above: GRIP TIGHT™ Tapered Adapter Stainless Steel Bushing Kit

Reducer Size	Max Bore	Bore Size	Stainless Steel	
			Straight Bore	GRIP TIGHT*
13	3/4"	n/a	n/a	n/a
15	3/4"	n/a	n/a	n/a
17	1"	n/a	n/a	n/a
20	1-1/4"	1"	20SBUSH100	n/a
20 Alt	1-3/16"	n/a	n/a	n/a
23	1-7/16"	1"	2326SBUSH100	n/a
		1-3/16"	2326SBUSH103	n/a
		1-1/4"	2326SBUSH104	n/a
23 Alt	1-1/2"	1"	n/a	23STBUSH100
		1-3/16"	n/a	23STBUSH103
26	1-7/16"	1"	2326SBUSH100	n/a
		1-3/16"	2326SBUSH103	n/a
		1-1/4"	2326SBUSH104	n/a
26 Alt	1-11/16"	1"	n/a	26STBUSH100
		1-3/16"	n/a	26STBUSH103
		1-1/4"	n/a	26STBUSH104
		1-3/8"	n/a	26STBUSH106
30	1-15/16"	1-3/8"	n/a	3035STBUSH106
		1-7/16"	n/a	3035STBUSH107
		1-1/2"	n/a	3035STBUSH108
		1-11/16"	3035SBUSH111	n/a
35	1-15/16"	1-3/8"	n/a	3035STBUSH106
		1-7/16"	n/a	3035STBUSH107
		1-1/2"	n/a	3035STBUSH108
		1-11/16"	3035SBUSH111	n/a

\* Required shaft diameter tolerance for GRIP TIGHT bushings: +.000", -.003"

## E-Z Kleen Nomenclature

Size	Input Style	Washdown Option	Ratio	Output	Motor Frame
13 = 1.33 c.d. 15 = 1.50 c.d. 17 = 1.75 c.d. 20 = 2.00 c.d. 23 = 2.31 c.d. 26 = 2.62 c.d. 30 = 3.00 c.d. 35 = 3.50 c.d.	Q = Quill A = 3-Piece Coupled	Z = E-Z Kleen	05 = 5:1 07 = 7.5:1 10 = 10:1 15 = 15:1 20 = 20:1 25 = 25:1 30 = 30:1 40 = 40:1 50 = 50:1 60 = 60:1	L R LR H HA	56 = 56C 14 = 140TC 18 = 180TC 21 = 210TC
<b>OUTPUT SHAFT CONFIGURATIONS</b>					



**TIGEAR-2 E-Z KLEEN REDUCERS WITH QUILL INPUT- SIZE 13**

RATIO	OUTPUT RPM	RATING DATA		PART NUMBER	SHAFT POSITION
		1750 INPUT RPM			
5	350	Mechanical Input Hp	1.32	13QZ05L56	L
		Thermal Input Hp	2.94	13QZ05R56	R
		Output Torque (lb in.)	219	13QZ05LR56	LR
		Mechanical Output Hp	1.22	13QZ05H56	HOLLOW
		Output OHL (lbs.)	650		
7.5	233	Mechanical Input Hp	1.04	13QZ07L56	L
		Thermal Input Hp	2.27	13QZ07R56	R
		Output Torque (lb in.)	251	13QZ07LR56	LR
		Mechanical Output Hp	0.94	13QZ07H56	HOLLOW
		Output OHL (lbs.)	650		
10	175	Mechanical Input Hp	0.85	13QZ10L56	L
		Thermal Input Hp	1.96	13QZ10R56	R
		Output Torque (lb in.)	270	13QZ10LR56	LR
		Mechanical Output Hp	0.75	13QZ10H56	HOLLOW
		Output OHL (lbs.)	650		
15	117	Mechanical Input Hp	0.64	13QZ15L56	L
		Thermal Input Hp	1.38	13QZ15R56	R
		Output Torque (lb in.)	293	13QZ15LR56	LR
		Mechanical Output Hp	0.54	13QZ15H56	HOLLOW
		Output OHL (lbs.)	650		
20	88	Mechanical Input Hp	0.53	13QZ20L56	L
		Thermal Input Hp	1.06	13QZ20R56	R
		Output Torque (lb in.)	304	13QZ20LR56	LR
		Mechanical Output Hp	0.42	13QZ20H56	HOLLOW
		Output OHL (lbs.)	650		
25	70	Mechanical Input Hp	0.46	13QZ25L56	L
		Thermal Input Hp	0.86	13QZ25R56	R
		Output Torque (lb in.)	311	13QZ25LR56	LR
		Mechanical Output Hp	0.35	13QZ25H56	HOLLOW
		Output OHL (lbs.)	650		
30	58	Mechanical Input Hp	0.39	13QZ30L56	L
		Thermal Input Hp	0.85	13QZ30R56	R
		Output Torque (lb in.)	314	13QZ30LR56	LR
		Mechanical Output Hp	0.29	13QZ30H56	HOLLOW
		Output OHL (lbs.)	650		
40	44	Mechanical Input Hp	0.32	13QZ40L56	L
		Thermal Input Hp	0.70	13QZ40R56	R
		Output Torque (lb in.)	319	13QZ40LR56	LR
		Mechanical Output Hp	0.22	13QZ40H56	HOLLOW
		Output OHL (lbs.)	650		
50	35	Mechanical Input Hp	0.27	13QZ50L56	L
		Thermal Input Hp	0.61	13QZ50R56	R
		Output Torque (lb in.)	313	13QZ50LR56	LR
		Mechanical Output Hp	0.17	13QZ50H56	HOLLOW
		Output OHL (lbs.)	650		
60	29	Mechanical Input Hp	0.23	13QZ60L56	L
		Thermal Input Hp	0.54	13QZ60R56	R
		Output Torque (lb in.)	298	13QZ60LR56	LR
		Mechanical Output Hp	0.14	13QZ60H56	HOLLOW
		Output OHL (lbs.)	650		

**3-PIECE COUPLED INPUT STYLE FOR TIGEAR-2 E-Z KLEEN REDUCERS**

For 3-piece coupled input, use same part numbers as above except replace the letter "Q" with the new letter "A".

Example: Part number 13QZ30L56 is a size-13 reducer with Quill input, E-Z Kleen construction, 30:1 ratio, left hand output shaft and a 56C motor adapter.

Part number 13AZ30L56 is the same reducer except with a 3-piece coupling.

Note: Washdown accessories available in Modifications / Accessories section of Dodge Gearing catalog.

**TIGEAR-2 E-Z KLEEN REDUCERS WITH QUILL INPUT- SIZE 15**

RATIO	OUTPUT RPM	RATING DATA		PART NUMBER	SHAFT POSITION
		1750 INPUT RPM			
5	350	Mechanical Input Hp	1.75	15QZ05L56	L
		Thermal Input Hp	3.34	15QZ05R56	R
		Output Torque (lb in.)	293	15QZ05LR56	LR
		Mechanical Output Hp	1.63	15QZ05H56	HOLLOW
		Output OHL (lbs.)	710		
7.5	233	Mechanical Input Hp	1.40	15QZ07L56	L
		Thermal Input Hp	2.55	15QZ07R56	R
		Output Torque (lb in.)	337	15QZ07LR56	LR
		Mechanical Output Hp	1.26	15QZ07H56	HOLLOW
		Output OHL (lbs.)	710		
10	175	Mechanical Input Hp	1.13	15QZ10L56	L
		Thermal Input Hp	2.22	15QZ10R56	R
		Output Torque (lb in.)	361	15QZ10LR56	LR
		Mechanical Output Hp	1.00	15QZ10H56	HOLLOW
		Output OHL (lbs.)	710		
15	117	Mechanical Input Hp	0.86	15QZ15L56	L
		Thermal Input Hp	1.58	15QZ15R56	R
		Output Torque (lb in.)	392	15QZ15LR56	LR
		Mechanical Output Hp	0.73	15QZ15H56	HOLLOW
		Output OHL (lbs.)	710		
20	88	Mechanical Input HP	0.70	15QZ20L56	L
		Thermal Input Hp	1.26	15QZ20R56	R
		Output Torque (lb in.)	407	15QZ20LR56	LR
		Mechanical Output Hp	0.56	15QZ20H56	HOLLOW
		Output OHL (lbs.)	710		
25	70	Mechanical Input Hp	0.60	15QZ25L56	L
		Thermal Input Hp	0.99	15QZ25R56	R
		Output Torque (lb in.)	410	15QZ25LR56	LR
		Mechanical Output Hp	0.46	15QZ25H56	HOLLOW
		Output OHL (lbs.)	710		
30	58	Mechanical Input Hp	0.51	15QZ30L56	L
		Thermal Input Hp	0.96	15QZ30R56	R
		Output Torque (lb in.)	413	15QZ30LR56	LR
		Mechanical Output Hp	0.38	15QZ30H56	HOLLOW
		Output OHL (lbs.)	710		
40	44	Mechanical Input Hp	0.41	15QZ40L56	L
		Thermal Input Hp	0.80	15QZ40R56	R
		Output Torque (lb in.)	417	15QZ40LR56	LR
		Mechanical Output Hp	0.29	15QZ40H56	HOLLOW
		Output OHL (lbs.)	710		
50	35	Mechanical Input Hp	0.34	15QZ50L56	L
		Thermal Input Hp	0.70	15QZ50R56	R
		Output Torque (lb in.)	402	15QZ50LR56	LR
		Mechanical Output Hp	0.22	15QZ50H56	HOLLOW
		Output OHL (lbs.)	710		
60	29	Mechanical Input Hp	0.29	15QZ60L56	L
		Thermal Input Hp	0.62	15QZ60R56	R
		Output Torque (lb in.)	381	15QZ60LR56	LR
		Mechanical Output Hp	0.18	15QZ60H56	HOLLOW
		Output OHL (lbs.)	710		

**3-PIECE COUPLED INPUT STYLE FOR TIGEAR-2 E-Z KLEEN REDUCERS**

For 3-piece coupled input, use same part numbers as above except replace the letter "Q" with the new letter "A".

Example: Part number 15QZ30L56 is a size-15 reducer with Quill input, E-Z Kleen construction, 30:1 ratio, left hand output shaft and a 56C motor adapter.

Part number 15AZ30L56 is the same reducer except with a 3-piece coupling.

Note: Washdown accessories available in Modifications / Accessories section of Dodge Gearing catalog.

**TIGEAR-2 E-Z KLEEN REDUCERS WITH QUILL INPUT- SIZE 17**

RATIO	OUTPUT RPM	RATING DATA 1750 INPUT RPM		PART NUMBER		SHAFT POSITION
				56C	140TC	
5	350	Mechanical Input Hp	2.59	17QZ05L56	17QZ05L14	L
		Thermal Input Hp	3.97	17QZ05R56	17QZ05R14	R
		Output Torque (lb.in.)	430	17QZ05LR56	17QZ05LR14	LR
		Mechanical Output Hp	2.39	17QZ05H56	17QZ05H14	HOLLOW
		Output OHL (lbs.)	1050			
7.5	233	Mechanical Input Hp	2.06	17QZ07L56	17QZ07L14	L
		Thermal Input Hp	3.42	17QZ07R56	17QZ07R14	R
		Output Torque (lb.in.)	500	17QZ07LR56	17QZ07LR14	LR
		Mechanical Output Hp	1.88	17QZ07H56	17QZ07H14	HOLLOW
		Output OHL (lbs.)	1190			
10	175	Mechanical Input Hp	1.67	17QZ10L56	17QZ10L14	L
		Thermal Input Hp	2.76	17QZ10R56	17QZ10R14	R
		Output Torque (lb.in.)	534	17QZ10LR56	17QZ10LR14	LR
		Mechanical Output Hp	1.48	17QZ10H56	17QZ10H14	HOLLOW
		Output OHL (lbs.)	1190			
15	117	Mechanical Input Hp	1.27	17QZ15L56	17QZ15L14	L
		Thermal Input Hp	2.01	17QZ15R56	17QZ15R14	R
		Output Torque (lb.in.)	583	17QZ15LR56	17QZ15LR14	LR
		Mechanical Output Hp	1.08	17QZ15H56	17QZ15H14	HOLLOW
		Output OHL (lbs.)	1190			
20	88	Mechanical Input Hp	1.03	17QZ20L56	17QZ20L14	L
		Thermal Input Hp	1.58	17QZ20R56	17QZ20R14	R
		Output Torque (lb.in.)	602	17QZ20LR56	17QZ20LR14	LR
		Mechanical Output Hp	0.84	17QZ20H56	17QZ20H14	HOLLOW
		Output OHL (lbs.)	1190			
25	70	Mechanical Input Hp	0.88	17QZ25L56		L
		Thermal Input Hp	1.28	17QZ25R56		R
		Output Torque (lb.in.)	609	17QZ25LR56		LR
		Mechanical Output Hp	0.68	17QZ25H56		HOLLOW
		Output OHL (lbs.)	1190			
30	58	Mechanical Input Hp	0.76	17QZ30L56		L
		Thermal Input Hp	1.20	17QZ30R56		R
		Output Torque (lb.in.)	615	17QZ30LR56		LR
		Mechanical Output Hp	0.57	17QZ30H56		HOLLOW
		Output OHL (lbs.)	1190			
40	44	Mechanical Input Hp	0.60	17QZ40L56		L
		Thermal Input Hp	1.09	17QZ40R56		R
		Output Torque (lb.in.)	627	17QZ40LR56		LR
		Mechanical Output Hp	0.43	17QZ40H56		HOLLOW
		Output OHL (lbs.)	1190			
50	35	Mechanical Input Hp	0.51	17QZ50L56		L
		Thermal Input Hp	0.90	17QZ50R56		R
		Output Torque (lb.in.)	608	17QZ50LR56		LR
		Mechanical Output Hp	0.34	17QZ50H56		HOLLOW
		Output OHL (lbs.)	1190			
60	29	Mechanical Input Hp	0.43	17QZ60L56		L
		Thermal Input Hp	0.80	17QZ60R56		R
		Output Torque (lb.in.)	576	17QZ60LR56		LR
		Mechanical Output Hp	0.27	17QZ60H56		HOLLOW
		Output OHL (lbs.)	1190			

**3-PIECE COUPLED INPUT STYLE FOR TIGEAR-2 E-Z KLEEN REDUCERS**

For 3-piece coupled input, use same part numbers as above except replace the letter "Q" with the new letter "A".

Example: Part number 17QZ30L56 is a size-17 reducer with Quill input, E-Z Kleen construction, 30:1 ratio, left hand output shaft and a 56C motor adapter.

Part number 17AZ30L56 is the same reducer except with a 3-piece coupling.

Note: Washdown accessories available in Modifications / Accessories section of Dodge Gearing catalog.

**TIGEAR-2 E-Z KLEEN REDUCERS WITH QUILL INPUT- SIZE 20**

RATIO	OUTPUT RPM	RATING DATA 1750 INPUT RPM		PART NUMBER		SHAFT POSITION
				56C	140TC	
5	350	Mechanical Input Hp	3.47	20QZ05L56	20QZ05L14	L
		Thermal Input Hp	4.90	20QZ05R56	20QZ05R14	R
		Output Torque (lb.in.)	581	20QZ05LR56	20QZ05LR14	LR
		Mechanical Output Hp	3.23	20QZ05H56	20QZ05H14	HOLLOW
		Output OHL (lbs.)	1380	20QZ05HA56	20QZ05HA14	HOLLOW ALT.
7.5	233	Mechanical Input Hp	2.78	20QZ07L56	20QZ07L14	L
		Thermal Input Hp	4.15	20QZ07R56	20QZ07R14	R
		Output Torque (lb.in.)	678	20QZ07LR56	20QZ07LR14	LR
		Mechanical Output Hp	2.54	20QZ07H56	20QZ07H14	HOLLOW
		Output OHL (lbs.)	1560	20QZ07HA56	20QZ07HA14	HOLLOW ALT.
10	175	Mechanical Input Hp	2.25	20QZ10L56	20QZ10L14	L
		Thermal Input Hp	3.25	20QZ10R56	20QZ10R14	R
		Output Torque (lb.in.)	725	20QZ10LR56	20QZ10LR14	LR
		Mechanical Output Hp	2.01	20QZ10H56	20QZ10H14	HOLLOW
		Output OHL (lbs.)	1560	20QZ10HA56	20QZ10HA14	HOLLOW ALT.
15	117	Mechanical Input Hp	1.69	20QZ15L56	20QZ15L14	L
		Thermal Input Hp	2.52	20QZ15R56	20QZ15R14	R
		Output Torque (lb.in.)	790	20QZ15LR56	20QZ15LR14	LR
		Mechanical Output Hp	1.46	20QZ15H56	20QZ15H14	HOLLOW
		Output OHL (lbs.)	1560	20QZ15HA56	20QZ15HA14	HOLLOW ALT.
20	88	Mechanical Input Hp	1.34	20QZ20L56	20QZ20L14	L
		Thermal Input Hp	1.99	20QZ20R56	20QZ20R14	R
		Output Torque (lb.in.)	796	20QZ20LR56	20QZ20LR14	LR
		Mechanical Output Hp	1.11	20QZ20H56	20QZ20H14	HOLLOW
		Output OHL (lbs.)	1560	20QZ20HA56	20QZ20HA14	HOLLOW ALT.
25	70	Mechanical Input Hp	1.11	20QZ25L56	20QZ25L14	L
		Thermal Input Hp	1.59	20QZ25R56	20QZ25R14	R
		Output Torque (lb.in.)	788	20QZ25LR56	20QZ25LR14	LR
		Mechanical Output Hp	0.88	20QZ25H56	20QZ25H14	HOLLOW
		Output OHL (lbs.)	1560	20QZ25HA56	20QZ25HA14	HOLLOW ALT.
30	58	Mechanical Input Hp	0.96	20QZ30L56		L
		Thermal Input Hp	1.49	20QZ30R56		R
		Output Torque (lb.in.)	802	20QZ30LR56		LR
		Mechanical Output Hp	0.74	20QZ30H56		HOLLOW
		Output OHL (lbs.)	1560	20QZ30HA56		HOLLOW ALT.
40	44	Mechanical Input Hp	0.76	20QZ40L56		L
		Thermal Input Hp	1.29	20QZ40R56		R
		Output Torque (lb.in.)	801	20QZ40LR56		LR
		Mechanical Output Hp	0.56	20QZ40H56		HOLLOW
		Output OHL (lbs.)	1560	20QZ40HA56		HOLLOW ALT.
50	35	Mechanical Input Hp	0.64	20QZ50L56		L
		Thermal Input Hp	1.09	20QZ50R56		R
		Output Torque (lb.in.)	787	20QZ50LR56		LR
		Mechanical Output Hp	0.44	20QZ50H56		HOLLOW
		Output OHL (lbs.)	1560	20QZ50HA56		HOLLOW ALT.
60	29	Mechanical Input Hp	0.56	20QZ60L56		L
		Thermal Input Hp	0.96	20QZ60R56		R
		Output Torque (lb.in.)	767	20QZ60LR56		LR
		Mechanical Output Hp	0.36	20QZ60H56		HOLLOW
		Output OHL (lbs.)	1560	20QZ60HA56		HOLLOW ALT.

**3-PIECE COUPLED INPUT STYLE FOR TIGEAR-2 E-Z KLEEN REDUCERS**

For 3-piece coupled input, use same part numbers as above except replace the letter "Q" with the new letter "A".

Example: Part number 20QZ30L56 is a size-20 reducer with Quill input, E-Z Kleen construction, 30:1 ratio, left hand output shaft and a 56C motor adapter.

Part number 20AZ30L56 is the same reducer except with a 3-piece coupling.

Note: Washdown accessories available in Modifications / Accessories section of Dodge Gearing catalog.

**TIGEAR-2 E-Z KLEEN REDUCERS WITH QUILL INPUT- SIZE 23**

RATIO	OUTPUT RPM	RATING DATA 1750 INPUT RPM		PART NUMBER			SHAFT POSITION
				56C	140TC	180TC	
5	350	Mechanical Input Hp	5.25	23QZ05L56	23QZ05L14	23QZ05L18	L
		Thermal Input Hp	6.61	23QZ05R56	23QZ05R14	23QZ05R18	R
		Output Torque (lb.in.)	881	23QZ05LR56	23QZ05LR14	23QZ05LR18	LR
		Mechanical Output Hp	4.89	23QZ05H56	23QZ05H14	23QZ05H18	HOLLOW
		Output OHL (lbs.)	1330	23QZ05HA56	23QZ05HA14	23QZ05HA18	HOLLOW ALT.
7.5	233	Mechanical Input Hp	4.18	23QZ07L56	23QZ07L14	23QZ07L18	L
		Thermal Input Hp	5.64	23QZ07R56	23QZ07R14	23QZ07R18	R
		Output Torque (lb.in.)	1026	23QZ07LR56	23QZ07LR14	23QZ07LR18	LR
		Mechanical Output Hp	3.85	23QZ07H56	23QZ07H14	23QZ07H18	HOLLOW
		Output OHL (lbs.)	1520	23QZ07HA56	23QZ07HA14	23QZ07HA18	HOLLOW ALT.
10	175	Mechanical Input Hp	3.42	23QZ10L56	23QZ10L14	23QZ10L18	L
		Thermal Input Hp	4.40	23QZ10R56	23QZ10R14	23QZ10R18	R
		Output Torque (lb.in.)	1106	23QZ10LR56	23QZ10LR14	23QZ10LR18	LR
		Mechanical Output Hp	3.07	23QZ10H56	23QZ10H14	23QZ10H18	HOLLOW
		Output OHL (lbs.)	1610	23QZ10HA56	23QZ10HA14	23QZ10HA18	HOLLOW ALT.
15	117	Mechanical Input Hp	2.57	23QZ15L56	23QZ15L14		L
		Thermal Input Hp	3.30	23QZ15R56	23QZ15R14		R
		Output Torque (lb.in.)	1199	23QZ15LR56	23QZ15LR14		LR
		Mechanical Output Hp	2.22	23QZ15H56	23QZ15H14		HOLLOW
		Output OHL (lbs.)	1610	23QZ15HA56	23QZ15HA14		HOLLOW ALT.
20	88	Mechanical Input Hp	2.00	23QZ20L56	23QZ20L14		L
		Thermal Input Hp	2.62	23QZ20R56	23QZ20R14		R
		Output Torque (lb.in.)	1178	23QZ20LR56	23QZ20LR14		LR
		Mechanical Output Hp	1.64	23QZ20H56	23QZ20H14		HOLLOW
		Output OHL (lbs.)	1610	23QZ20HA56	23QZ20HA14		HOLLOW ALT.
25	70	Mechanical Input Hp	1.65	23QZ25L56	23QZ25L14		L
		Thermal Input Hp	2.16	23QZ25R56	23QZ25R14		R
		Output Torque (lb.in.)	1184	23QZ25LR56	23QZ25LR14		LR
		Mechanical Output Hp	1.32	23QZ25H56	23QZ25H14		HOLLOW
		Output OHL (lbs.)	1610	23QZ25HA56	23QZ25HA14		HOLLOW ALT.
30	58	Mechanical Input Hp	1.42	23QZ30L56	23QZ30L14		L
		Thermal Input Hp	2.06	23QZ30R56	23QZ30R14		R
		Output Torque (lb.in.)	1201	23QZ30LR56	23QZ30LR14		LR
		Mechanical Output Hp	1.11	23QZ30H56	23QZ30H14		HOLLOW
		Output OHL (lbs.)	1610	23QZ30HA56	23QZ30HA14		HOLLOW ALT.
40	44	Mechanical Input Hp	1.11	23QZ40L56	23QZ40L14		L
		Thermal Input Hp	1.73	23QZ40R56	23QZ40R14		R
		Output Torque (lb.in.)	1193	23QZ40LR56	23QZ40LR14		LR
		Mechanical Output Hp	0.83	23QZ40H56	23QZ40H14		HOLLOW
		Output OHL (lbs.)	1610	23QZ40HA56	23QZ40HA14		HOLLOW ALT.
50	35	Mechanical Input Hp	0.95	23QZ50L56			L
		Thermal Input Hp	1.42	23QZ50R56			R
		Output Torque (lb.in.)	1182	23QZ50LR56			LR
		Mechanical Output Hp	0.66	23QZ50H56			HOLLOW
		Output OHL (lbs.)	1610	23QZ50HA56			HOLLOW ALT.
60	29	Mechanical Input Hp	0.80	23QZ60L56			L
		Thermal Input Hp	1.24	23QZ60R56			R
		Output Torque (lb.in.)	1111	23QZ60LR56			LR
		Mechanical Output Hp	0.51	23QZ60H56			HOLLOW
		Output OHL (lbs.)	1610	23QZ60HA56			HOLLOW ALT.

**3-PIECE COUPLED INPUT STYLE FOR TIGEAR-2 E-Z KLEEN REDUCERS**

For 3-piece coupled input, use same part numbers as above except replace the letter "Q" with the new letter "A".

Example: Part number 23QZ30L56 is a size-23 reducer with Quill input, E-Z Kleen construction, 30:1 ratio, left hand output shaft and a 56C motor adapter.

Part number 23AZ30L56 is the same reducer except with a 3-piece coupling.

Note: Washdown accessories available in Modifications / Accessories section of Dodge Gearing catalog.

**TIGEAR-2 E-Z KLEEN REDUCERS WITH QUILL INPUT- SIZE 26**

RATIO	OUTPUT RPM	RATING DATA 1750 INPUT RPM		PART NUMBER			SHAFT POSITION
				56C	140TC	180TC	
5	350	Mechanical Input Hp	7.37		26QZ05L14	26QZ05L18	L
		Thermal Input Hp	8.79		26QZ05R14	26QZ05R18	R
		Output Torque (lb.in.)	1247		26QZ05LR14	26QZ05LR18	LR
		Mechanical Output Hp	6.93		26QZ05H14	26QZ05H18	HOLLOW
		Output OHL (lbs.)	1330		26QZ05HA14	26QZ05HA18	HOLLOW ALT.
7.5	233	Mechanical Input Hp	5.92	26QZ07L56	26QZ07L14	26QZ07L18	L
		Thermal Input Hp	6.89	26QZ07R56	26QZ07R14	26QZ07R18	R
		Output Torque (lb.in.)	1458	26QZ07LR56	26QZ07LR14	26QZ07LR18	LR
		Mechanical Output Hp	5.47	26QZ07H56	26QZ07H14	26QZ07H18	HOLLOW
		Output OHL (lbs.)	1520	26QZ07HA56	26QZ07HA14	26QZ07HA18	HOLLOW ALT.
10	175	Mechanical Input Hp	4.83	26QZ10L56	26QZ10L14	26QZ10L18	L
		Thermal Input Hp	5.61	26QZ10R56	26QZ10R14	26QZ10R18	R
		Output Torque (lb.in.)	1576	26QZ10LR56	26QZ10LR14	26QZ10LR18	LR
		Mechanical Output Hp	4.37	26QZ10H56	26QZ10H14	26QZ10H18	HOLLOW
		Output OHL (lbs.)	1610	26QZ10HA56	26QZ10HA14	26QZ10HA18	HOLLOW ALT.
15	117	Mechanical Input Hp	3.62	26QZ15L56	26QZ15L14	26QZ15L18	L
		Thermal Input Hp	4.15	26QZ15R56	26QZ15R14	26QZ15R18	R
		Output Torque (lb.in.)	1708	26QZ15LR56	26QZ15LR14	26QZ15LR18	LR
		Mechanical Output Hp	3.16	26QZ15H56	26QZ15H14	26QZ15H18	HOLLOW
		Output OHL (lbs.)	1610	26QZ15HA56	26QZ15HA14	26QZ15HA18	HOLLOW ALT.
20	88	Mechanical Input Hp	2.71	26QZ20L56	26QZ20L14		L
		Thermal Input Hp	3.71	26QZ20R56	26QZ20R14		R
		Output Torque (lb.in.)	1673	26QZ20LR56	26QZ20LR14		LR
		Mechanical Output Hp	2.32	26QZ20H56	26QZ20H14		HOLLOW
		Output OHL (lbs.)	1610	26QZ20HA56	26QZ20HA14		HOLLOW ALT.
25	70	Mechanical Input Hp	2.26	26QZ25L56	26QZ25L14		L
		Thermal Input Hp	3.00	26QZ25R56	26QZ25R14		R
		Output Torque (lb.in.)	1677	26QZ25LR56	26QZ25LR14		LR
		Mechanical Output Hp	1.86	26QZ25H56	26QZ25H14		HOLLOW
		Output OHL (lbs.)	1610	26QZ25HA56	26QZ25HA14		HOLLOW ALT.
30	58	Mechanical Input Hp	2.00	26QZ30L56	26QZ30L14		L
		Thermal Input Hp	2.79	26QZ30R56	26QZ30R14		R
		Output Torque (lb.in.)	1705	26QZ30LR56	26QZ30LR14		LR
		Mechanical Output Hp	1.58	26QZ30H56	26QZ30H14		HOLLOW
		Output OHL (lbs.)	1610	26QZ30HA56	26QZ30HA14		HOLLOW ALT.
40	44	Mechanical Input Hp	1.55	26QZ40L56	26QZ40L14		L
		Thermal Input Hp	2.14	26QZ40R56	26QZ40R14		R
		Output Torque (lb.in.)	1685	26QZ40LR56	26QZ40LR14		LR
		Mechanical Output Hp	1.17	26QZ40H56	26QZ40H14		HOLLOW
		Output OHL (lbs.)	1610	26QZ40HA56	26QZ40HA14		HOLLOW ALT.
50	35	Mechanical Input Hp	1.32	26QZ50L56	26QZ50L14		L
		Thermal Input Hp	1.76	26QZ50R56	26QZ50R14		R
		Output Torque (lb.in.)	1662	26QZ50LR56	26QZ50LR14		LR
		Mechanical Output Hp	0.92	26QZ50H56	26QZ50H14		HOLLOW
		Output OHL (lbs.)	1610	26QZ50HA56	26QZ50HA14		HOLLOW ALT.
60	29	Mechanical Input Hp	1.08	26QZ60L56	26QZ60L14		L
		Thermal Input Hp	1.57	26QZ60R56	26QZ60R14		R
		Output Torque (lb.in.)	1547	26QZ60LR56	26QZ60LR14		LR
		Mechanical Output Hp	0.72	26QZ60H56	26QZ60H14		HOLLOW
		Output OHL (lbs.)	1610	26QZ60HA56	26QZ60HA14		HOLLOW ALT.

**3-PIECE COUPLED INPUT STYLE FOR TIGEAR-2 E-Z KLEEN REDUCERS**

For 3-piece coupled input, use same part numbers as above except replace the letter "Q" with the new letter "A".

Example: Part number 26QZ30L56 is a size-26 reducer with Quill input, E-Z Kleen construction, 30:1 ratio, left hand output shaft and a 56C motor adapter.

Part number 26AZ30L56 is the same reducer except with a 3-piece coupling.

Note: Washdown accessories available in Modifications / Accessories section of Dodge Gearing catalog.



**TIGEAR-2 E-Z KLEEN REDUCERS WITH QUILL INPUT- SIZE 30**

RATIO	OUTPUT RPM	RATING DATA 1750 INPUT RPM		PART NUMBER			SHAFT POSITION
				56C	140TC	180TC	
5	350	Mechanical Input Hp	10.84		30QZ05L14	30QZ05L18	L
		Thermal Input Hp	12.53		30QZ05R14	30QZ05R18	R
		Output Torque (lb.in.)	1849		30QZ05LR14	30QZ05LR18	LR
		Mechanical Output Hp	10.27		30QZ05H14	30QZ05H18	HOLLOW
		Output OHL (lbs.)	1330				
7.5	233	Mechanical Input Hp	8.74		30QZ07L14	30QZ07L18	L
		Thermal Input Hp	9.64		30QZ07R14	30QZ07R18	R
		Output Torque (lb.in.)	2171		30QZ07LR14	30QZ07LR18	LR
		Mechanical Output Hp	8.15		30QZ07H14	30QZ07H18	HOLLOW
		Output OHL (lbs.)	1540				
10	175	Mechanical Input Hp	7.11		30QZ10L14	30QZ10L18	L
		Thermal Input Hp	7.85		30QZ10R14	30QZ10R18	R
		Output Torque (lb.in.)	2347		30QZ10LR14	30QZ10LR18	LR
		Mechanical Output Hp	6.52		30QZ10H14	30QZ10H18	HOLLOW
		Output OHL (lbs.)	1720				
15	117	Mechanical Input Hp	5.00		30QZ15L14	30QZ15L18	L
		Thermal Input Hp	5.72		30QZ15R14	30QZ15R18	R
		Output Torque (lb.in.)	2371		30QZ15LR14	30QZ15LR18	LR
		Mechanical Output Hp	4.39		30QZ15H14	30QZ15H18	HOLLOW
		Output OHL (lbs.)	2300				
20	88	Mechanical Input Hp	3.81	30QZ20L56	30QZ20L14	30QZ20L18	L
		Thermal Input Hp	4.52	30QZ20R56	30QZ20R14	30QZ20R18	R
		Output Torque (lb.in.)	2345	30QZ20LR56	30QZ20LR14	30QZ20LR18	LR
		Mechanical Output Hp	3.26	30QZ20H56	30QZ20H14	30QZ20H18	HOLLOW
		Output OHL (lbs.)	2300				
25	70	Mechanical Input Hp	3.05	30QZ25L56	30QZ25L14	30QZ25L18	L
		Thermal Input Hp	3.90	30QZ25R56	30QZ25R14	30QZ25R18	R
		Output Torque (lb.in.)	2284	30QZ25LR56	30QZ25LR14	30QZ25LR18	LR
		Mechanical Output Hp	2.54	30QZ25H56	30QZ25H14	30QZ25H18	HOLLOW
		Output OHL (lbs.)	2300				
30	58	Mechanical Input Hp	2.75	30QZ30L56	30QZ30L14		L
		Thermal Input Hp	3.58	30QZ30R56	30QZ30R14		R
		Output Torque (lb.in.)	2417	30QZ30LR56	30QZ30LR14		LR
		Mechanical Output Hp	2.24	30QZ30H56	30QZ30H14		HOLLOW
		Output OHL (lbs.)	2300				
40	44	Mechanical Input Hp	2.09	30QZ40L56	30QZ40L14		L
		Thermal Input Hp	2.87	30QZ40R56	30QZ40R14		R
		Output Torque (lb.in.)	2324	30QZ40LR56	30QZ40LR14		LR
		Mechanical Output Hp	1.61	30QZ40H56	30QZ40H14		HOLLOW
		Output OHL (lbs.)	2300				
50	35	Mechanical Input Hp	1.75	30QZ50L56	30QZ50L14		L
		Thermal Input Hp	2.34	30QZ50R56	30QZ50R14		R
		Output Torque (lb.in.)	2257	30QZ50LR56	30QZ50LR14		LR
		Mechanical Output Hp	1.25	30QZ50H56	30QZ50H14		HOLLOW
		Output OHL (lbs.)	2300				
60	29	Mechanical Input Hp	1.50	30QZ60L56	30QZ60L14		L
		Thermal Input Hp	2.01	30QZ60R56	30QZ60R14		R
		Output Torque (lb.in.)	2138	30QZ60LR56	30QZ60LR14		LR
		Mechanical Output Hp	0.99	30QZ60H56	30QZ60H14		HOLLOW
		Output OHL (lbs.)	2300				

**3-PIECE COUPLED INPUT STYLE FOR TIGEAR-2 E-Z KLEEN REDUCERS**

For 3-piece coupled input, use same part numbers as above except replace the letter "Q" with the new letter "A".

Example: Part number 30QZ30L56 is a size-30 reducer with Quill input, E-Z Kleen construction, 30:1 ratio, left hand output shaft and a 56C motor adapter.

Part number 30AZ30L56 is the same reducer except with a 3-piece coupling.

Note: Washdown accessories available in Modifications / Accessories section of Dodge Gearing catalog.

**TIGEAR-2 E-Z KLEEN REDUCERS WITH QUILL INPUT- SIZE 35**

RATIO	OUTPUT RPM	RATING DATA 1750 INPUT RPM		PART NUMBER				SHAFT POSITION
				56C	140TC	180TC	210TC	
5	350	Mechanical Input Hp	15.18		35QZ05L14	35QZ05L18	35QZ05L21	L
		Thermal Input Hp	15.51		35QZ05R14	35QZ05R18	35QZ05R21	R
		Output Torque (lb.in.)	2593		35QZ05LR14	35QZ05LR18	35QZ05LR21	LR
		Mechanical Output Hp	14.40		35QZ05H14	35QZ05H18	35QZ05H21	HOLLOW
		Output OHL (lbs.)	2120					
7.5	233	Mechanical Input Hp	12.24		35QZ07L14	35QZ07L18	35QZ07L21	L
		Thermal Input Hp	12.52		35QZ07R14	35QZ07R18	35QZ07R21	R
		Output Torque (lb.in.)	3054		35QZ07LR14	35QZ07LR18	35QZ07LR21	LR
		Mechanical Output Hp	11.46		35QZ07H14	35QZ07H18	35QZ07H21	HOLLOW
		Output OHL (lbs.)	2430					
10	175	Mechanical Input Hp	10.00		35QZ10L14	35QZ10L18	35QZ10L21	L
		Thermal Input Hp	10.63		35QZ10R14	35QZ10R18	35QZ10R21	R
		Output Torque (lb.in.)	3310		35QZ10LR14	35QZ10LR18	35QZ10LR21	LR
		Mechanical Output Hp	9.19		35QZ10H14	35QZ10H18	35QZ10H21	HOLLOW
		Output OHL (lbs.)	2700					
15	117	Mechanical Input Hp	7.44		35QZ15L14	35QZ15L18		L
		Thermal Input Hp	7.56		35QZ15R14	35QZ15R18		R
		Output Torque (lb.in.)	3599		35QZ15LR14	35QZ15LR18		LR
		Mechanical Output Hp	6.66		35QZ15H14	35QZ15H18		HOLLOW
		Output OHL (lbs.)	2760					
20	88	Mechanical Input Hp	5.79		35QZ20L14	35QZ20L18		L
		Thermal Input Hp	5.97		35QZ20R14	35QZ20R18		R
		Output Torque (lb.in.)	3620		35QZ20LR14	35QZ20LR18		LR
		Mechanical Output Hp	5.03		35QZ20H14	35QZ20H18		HOLLOW
		Output OHL (lbs.)	2760					
25	70	Mechanical Input Hp	4.72		35QZ25L14	35QZ25L18		L
		Thermal Input Hp	5.10		35QZ25R14	35QZ25R18		R
		Output Torque (lb.in.)	3586		35QZ25LR14	35QZ25LR18		LR
		Mechanical Output Hp	3.98		35QZ25H14	35QZ25H18		HOLLOW
		Output OHL (lbs.)	2760					
30	58	Mechanical Input Hp	4.15	35QZ30L56	35QZ30L14	35QZ30L18		L
		Thermal Input Hp	4.43	35QZ30R56	35QZ30R14	35QZ30R18		R
		Output Torque (lb.in.)	3682	35QZ30LR56	35QZ30LR14	35QZ30LR18		LR
		Mechanical Output Hp	3.41	35QZ30H56	35QZ30H14	35QZ30H18		HOLLOW
		Output OHL (lbs.)	2760					
40	44	Mechanical Input Hp	3.23	35QZ40L56	35QZ40L14	35QZ40L18		L
		Thermal Input Hp	3.54	35QZ40R56	35QZ40R14	35QZ40R18		R
		Output Torque (lb.in.)	3622	35QZ40LR56	35QZ40LR14	35QZ40LR18		LR
		Mechanical Output Hp	2.51	35QZ40H56	35QZ40H14	35QZ40H18		HOLLOW
		Output OHL (lbs.)	2760					
50	35	Mechanical Input Hp	2.64	35QZ50L56	35QZ50L14			L
		Thermal Input Hp	2.94	35QZ50R56	35QZ50R14			R
		Output Torque (lb.in.)	3485	35QZ50LR56	35QZ50LR14			LR
		Mechanical Output Hp	1.94	35QZ50H56	35QZ50H14			HOLLOW
		Output OHL (lbs.)	2760					
60	29	Mechanical Input Hp	2.19	35QZ60L56	35QZ60L14			L
		Thermal Input Hp	2.43	35QZ60R56	35QZ60R14			R
		Output Torque (lb.in.)	3194	35QZ60LR56	35QZ60LR14			LR
		Mechanical Output Hp	1.48	35QZ60H56	35QZ60H14			HOLLOW
		Output OHL (lbs.)	2760					

**3-PIECE COUPLED INPUT STYLE FOR TIGEAR-2 E-Z KLEEN REDUCERS**

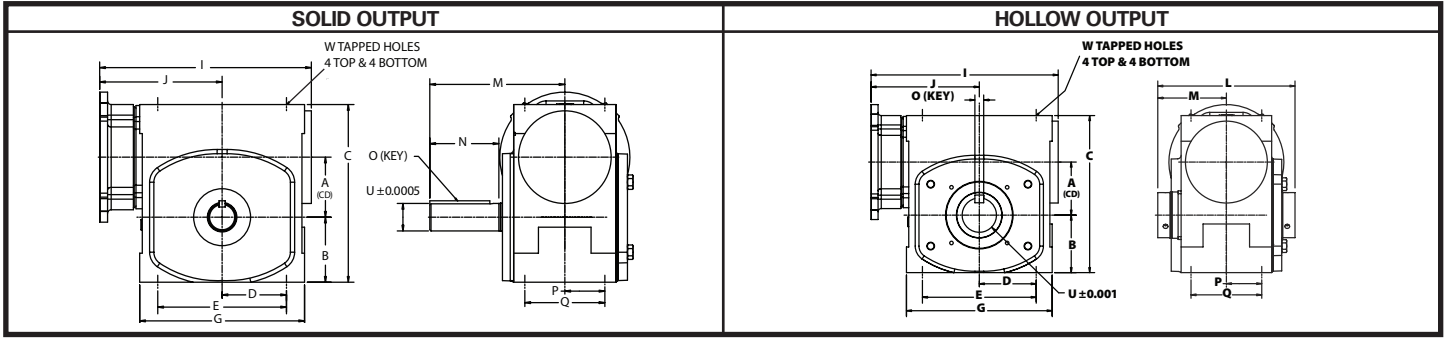
For 3-piece coupled input, use same part numbers as above except replace the letter "Q" with the new letter "A".

Example: Part number 35QZ30L56 is a size-35 reducer with Quill input, E-Z Kleen construction, 30:1 ratio, left hand output shaft and a 56C motor adapter.

Part number 35AZ30L56 is the same reducer except with a 3-piece coupling.

Note: Washdown accessories available in Modifications / Accessories section of Dodge Gearing catalog.

## QUILL



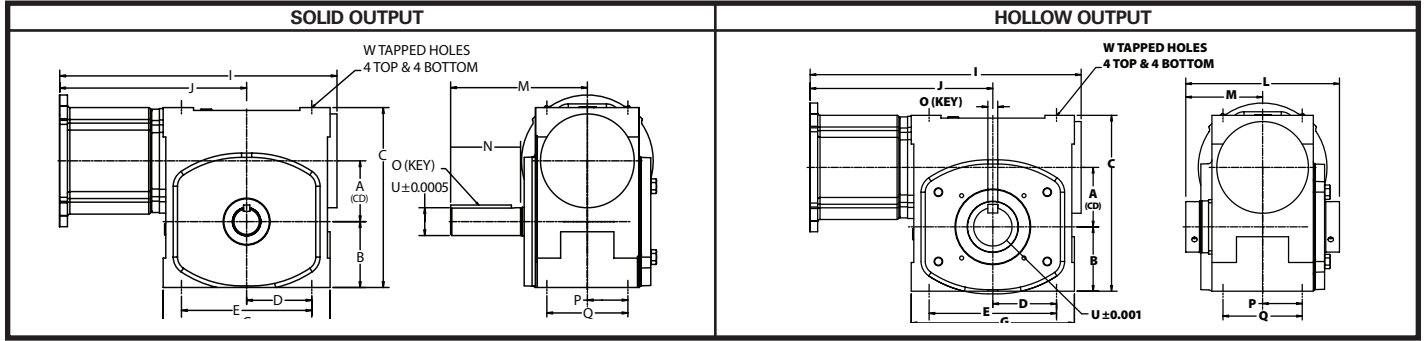
**QUILL INPUT WITH SOLID OUTPUT**

SIZE	A	B	C	D	E	G	I			J			M	N	O	P	Q	U +/-0.0005	W	
							56C/140TC	180TC	210TC	56C/140TC	180TC	210TC							Tap Size	Depth
13	1.33	1.71	4.88	1.62	3.25	4.24	7.03	N/A	N/A	4.41	N/A	N/A	4.00	1.90	3/16 SQ.x 1.50 KEY	1.00	2.00	0.625	1/4-20	0.50
15	1.50	1.87	5.48	1.75	3.50	5.00	7.09	N/A	N/A	4.41	N/A	N/A	4.31	2.23	3/16 SQ.x 2.00 KEY	1.13	2.25	0.750	1/4-20	0.50
17	1.75	1.99	5.85	2.09	4.19	5.50	8.09	N/A	N/A	4.92	N/A	N/A	4.31	1.74	3/16 SQ.x 1.50 KEY	1.38	2.75	0.875	5/16-18	0.75
20	2.00	2.24	6.35	2.50	5.00	6.12	8.47	N/A	N/A	5.02	N/A	N/A	4.69	2.11	1/4 SQ. x 1.75 KEY	1.44	2.88	1.000	3/8-16	0.75
23	2.31	2.50	7.38	2.50	5.00	6.76	9.12	9.94	N/A	5.47	6.29	N/A	5.14	2.18	1/4 SQ. x 1.98 KEY	1.44	2.88	1.125	3/8-16	0.69
26	2.63	2.87	8.36	3.19	6.38	7.26	9.37	10.18	N/A	5.51	6.32	N/A	5.63	2.67	1/4 SQ. x 2.35 KEY	1.69	3.38	1.125	3/8-16	0.69
30	3.00	3.25	8.88	3.50	7.00	8.24	10.58	11.39	N/A	6.12	6.93	N/A	6.75	3.20	5/16 SQ. x 3.00 KEY	2.00	4.00	1.375	7/16-14	0.88
35	3.50	3.99	10.57	3.75	7.50	8.88	11.92	12.16	12.16	7.11	7.35	7.35	7.06	3.51	3/8 SQ. x 2.93 KEY	2.00	4.00	1.500	7/16-14	0.81

**QUILL INPUT WITH HOLLOW OUTPUT**

SIZE	A	B	C	D	E	G	I			J			M	N	O	P	Q	U +/-0.001	W	
							56C/140TC	180TC	210TC	56C/140TC	180TC	210TC							Tap Size	Depth
13	1.33	1.71	4.88	1.62	3.25	4.24	7.03	N/A	N/A	4.41	N/A	N/A	4.74	2.37	3/16 x 3/16 x 0.94 KEY	1.00	2.00	0.750	1/4-20	0.50
15	1.50	1.87	5.48	1.75	3.50	5.00	7.09	N/A	N/A	4.41	N/A	N/A	4.74	2.37	3/16 x 3/16 x 0.94 KEY	1.13	2.25	0.750	1/4-20	0.50
17	1.75	1.99	5.85	2.09	4.19	5.50	8.09	N/A	N/A	4.92	N/A	N/A	5.41	2.71	1/4 x 0.22 x 1.50 KEY	1.38	2.75	1.000	5/16-18	0.75
20	2.00	2.24	6.35	2.50	5.00	6.12	8.47	N/A	N/A	5.02	N/A	N/A	5.70	2.85	1/4 x 1/4 x 1.75 KEY	1.44	2.88	1.250	3/8-16	0.75
20 ALT.	2.00	2.24	6.35	2.50	5.00	6.12	8.47	N/A	N/A	5.02	N/A	N/A	5.70	2.85	1/4 x 1/4 x 1.75 KEY	1.44	2.88	1.188	3/8-16	0.75
23	2.31	2.50	7.38	2.50	5.00	6.76	9.12	9.94	N/A	5.47	6.29	N/A	6.62	3.31	3/8 x 0.31 x 2.20 KEY	1.44	2.88	1.438	3/8-16	0.69
23 ALT.	2.31	2.50	7.38	2.50	5.00	6.76	9.12	9.94	N/A	5.47	6.29	N/A	6.62	3.31	3/8 x 0.28 x 2.20 KEY	1.44	2.88	1.500	3/8-16	0.69
26	2.63	2.87	8.36	3.19	6.38	7.26	9.37	10.18	N/A	5.51	6.32	N/A	6.62	3.31	3/8 x 0.31 x 2.20 KEY	1.69	3.38	1.438	3/8-16	0.69
26 ALT.	2.63	2.87	8.36	3.19	6.38	7.26	9.37	10.18	N/A	5.51	6.32	N/A	6.62	3.31	3/8 x 0.28 x 2.20 KEY	1.69	3.38	1.688	3/8-16	0.69
30	3.00	3.25	8.88	3.50	7.00	8.24	10.58	11.39	N/A	6.12	6.93	N/A	7.76	3.88	1/2 x 0.44 x 3.00 KEY	2.00	4.00	1.938	7/16-14	0.88
35	3.50	3.99	10.57	3.75	7.50	8.88	11.92	12.16	12.16	7.11	7.35	7.35	8.74	4.37	1/2 x 0.44 x 3.00 KEY	2.00	4.00	1.938	7/16-14	0.81

### 3-PIECE COUPLED



**3-PIECE COUPLED INPUT WITH SOLID OUTPUT**

SIZE	A	B	C	D	E	G	I			J			M	N	O	P	Q	U +/-0.0005	W	
							56C/140TC	180TC	210TC	56C/140TC	180TC	210TC							Tap Size	Depth
13	1.33	1.71	4.88	1.62	3.25	4.24	9.86	N/A	N/A	7.24	N/A	N/A	4.00	1.90	3/16 SQ.x 1.50 KEY	1.00	2.00	0.625	1/4-20	0.50
15	1.50	1.87	5.48	1.75	3.50	5.00	9.92	N/A	N/A	7.24	N/A	N/A	4.31	2.23	3/16 SQ.x 2.00 KEY	1.13	2.25	0.750	1/4-20	0.50
17	1.75	1.99	5.85	2.09	4.19	5.50	10.92	N/A	N/A	7.75	N/A	N/A	4.31	1.74	3/16 SQ.x 1.50 KEY	1.38	2.75	0.875	5/16-18	0.75
20	2.00	2.24	6.35	2.50	5.00	6.12	11.30	N/A	N/A	7.85	N/A	N/A	4.69	2.11	1/4 SQ. x 1.75 KEY	1.44	2.88	1.000	3/8-16	0.75
23	2.31	2.50	7.38	2.50	5.00	6.76	12.25	12.98	N/A	8.60	9.33	N/A	5.14	2.18	1/4 SQ. x 1.98 KEY	1.44	2.88	1.125	3/8-16	0.69
26	2.63	2.87	8.36	3.19	6.38	7.26	12.49	13.22	N/A	8.63	9.36	N/A	5.63	2.67	1/4 SQ. x 2.35 KEY	1.69	3.38	1.125	3/8-16	0.69
30	3.00	3.25	8.88	3.50	7.00	8.24	13.70	14.43	N/A	9.24	9.97	N/A	6.75	3.20	5/16 SQ. x 3.00 KEY	2.00	4.00	1.375	7/16-14	0.88
35	3.50	3.99	10.57	3.75	7.50	8.88	15.09	15.76	16.43	10.28	10.95	11.62	7.06	3.51	3/8 SQ. x 2.93 KEY	2.00	4.00	1.500	7/16-14	0.81

**3-PIECE COUPLED INPUT WITH HOLLOW OUTPUT**

SIZE	A	B	C	D	E	G	I			J			M	N	O	P	Q	U +/-0.001	W	
							56C/140TC	180TC	210TC	56C/140TC	180TC	210TC							Tap Size	Depth
13	1.33	1.71	4.88	1.62	3.25	4.24	9.86	N/A	N/A	7.24	N/A	N/A	4.74	2.37	3/16 x 3/16 x 0.94 KEY	1.00	2.00	0.750	1/4-20	0.50
15	1.50	1.87	5.48	1.75	3.50	5.00	9.92	N/A	N/A	7.24	N/A	N/A	4.74	2.37	3/16 x 3/16 x 0.94 KEY	1.13	2.25	0.750	1/4-20	0.50
17	1.75	1.99	5.85	2.09	4.19	5.50	10.92	N/A	N/A	7.75	N/A	N/A	5.41	2.71	1/4 x 0.22 x 1.50 KEY	1.38	2.75	1.000	5/16-18	0.75
20	2.00	2.24	6.35	2.50	5.00	6.12	11.30	N/A	N/A	7.85	N/A	N/A	5.70	2.85	1/4 x 1/4 x 1.75 KEY	1.44	2.88	1.250	3/8-16	0.75
20 ALT.	2.00	2.24	6.35	2.50	5.00	6.12	11.30	N/A	N/A	7.85	N/A	N/A	5.70	2.85	1/4 x 1/4 x 1.75 KEY	1.44	2.88	1.188	3/8-16	0.75
23	2.31	2.50	7.38	2.50	5.00	6.76	12.25	12.98	N/A	8.60	9.33	N/A	6.62	3.31	3/8 x 0.31 x 2.20 KEY	1.44	2.88	1.438	3/8-16	0.69
23 ALT.	2.31	2.50	7.38	2.50	5.00	6.76	12.25	12.98	N/A	8.60	9.33	N/A	6.62	3.31	3/8 x 0.28 x 2.20 KEY	1.44	2.88	1.500	3/8-16	0.69
26	2.63	2.87	8.36	3.19	6.38	7.26	12.49	13.22	N/A	8.63	9.36	N/A	6.62	3.31	3/8 x 0.31 x 2.20 KEY	1.69	3.38	1.438	3/8-16	0.69
26 ALT.	2.63	2.87	8.36	3.19	6.38	7.26	12.49	13.22	N/A	8.63	9.36	N/A	6.62	3.31	3/8 x 0.28 x 2.20 KEY	1.69	3.38	1.688	3/8-16	0.69
30	3.00	3.25	8.88	3.50	7.00	8.24	13.70	14.43	N/A	9.24	9.97	N/A	7.76	3.88	1/2 x 0.44 x 3.00 KEY	2.00	4.00	1.938	7/16-14	0.88
35	3.50	3.99	10.57	3.75	7.50	8.88	15.09	15.76	16.43	10.28	10.95	11.62	8.74	4.37	1/2 x 0.44 x 3.00 KEY	2.00	4.00	1.938	7/16-14	0.81



P.O. Box 2400, Fort Smith, AR 72902-2400 U.S.A., Ph: (1) 479.646.4711, Fax (1) 479.648.5792, International Fax (1) 479.648.5895

**Baldor - Dodge**

6040 Ponders Court, Greenville, SC 29615-4617 U.S.A., Ph: (1) 864.297.4800, Fax: (1) 864.281.2433

[www.baldor.com](http://www.baldor.com)