



*Alloy Valves and Control*

## CHECK VALVE 3226



**Size:**

1/2" - 2"  
200 PSI

**End Connections:**

NPT  
Socket Weld

**Valve Materials:**

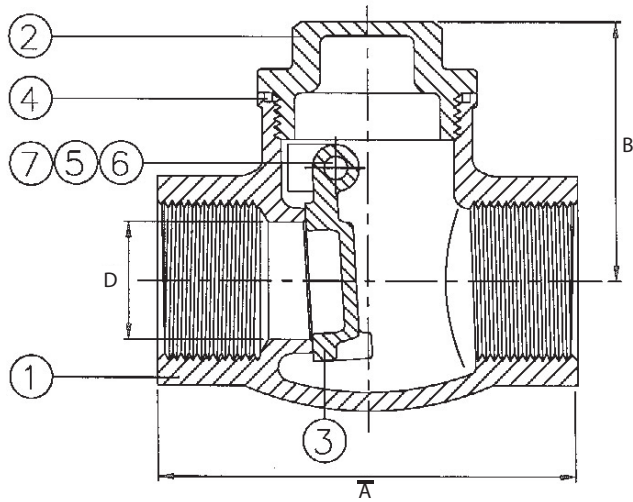
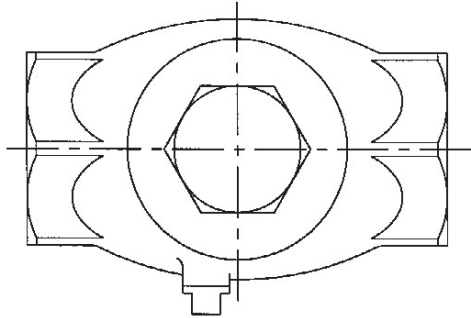
316 Stainless Steel

**Service Applications:**

Hydraulic  
Steam  
Oxygen  
Vacuum  
Thermal Fluids  
Chemical  
Oil/ Gas  
Food Processing  
Dry/ Liquid Chlorine



**Alloy Valves and Control**



**Features**

- Screwed Cap
- Swing Type Disc
- Integrated Seats
- 316 SS

Item	Parts	Material
1	Body	316 SS
2	Cap	316 SS
3	Disc	316 SS
4	Gasket	TFE
5	Plug Seal	TFE
6	Plug	316 SS
7	Pin	316 SS

Size	1/2"	3/4"	1"	1-1/4"	1-1/2"	2"
A	2.56	3.20	3.56	4.20	4.80	5.50
B	1.88	2.34	2.56	2.87	3.00	3.37
D	0.59	0.79	0.98	1.26	1.57	1.97

**HOW TO ORDER**

1"	3	2	2	6
Size	Series	Pressure Rating	End Connection	Body Material
1/2" 3/4" 1" 1-1/4" 1-1/2" 2"	3-Check Valve	2-200 psi	2-FNPT	6-316 SS

Distributed by:

Copyright © 2003 Alloy Valves and Control, Inc. All rights reserved. No part of this brochure may be used or reproduced in any manner whatsoever without written permission of AVCO.

This brochure is general in nature and manufacturer reserves the right to alter dimensions, materials or make design improvements

3210 S. Susan St, Santa Ana, CA 92704 Tel (714) 427-0877 Fax (714) 427-6392 Website: [www.avcovalve.com](http://www.avcovalve.com)