

VW5300 Vibration Welder

Table Size 610 mm (24")
by 455 mm (18")



FEATURES

- Electromechanical vibration head assembly (200-240 Hz)
- Patented Q Factor for comprehensive tool and machine diagnostics and preventive maintenance
- 15" color touchscreen HMI with remote I/O's
- Real time graphing of amplitude, force and distance
- Intuitive and interactive comprehensive help menu
- Part parameter monitoring with programmable limits
- Weld by time or weld by distance
- Programmable amplitude 0.5 mm to 1.8 mm (0.020" to 0.070") p-p
- Programmable amplitude and pressure profile, up to 5 steps
- Solid state 40 hp digital variable frequency drive
- Automatic tuning with auto ping mode
- Multilingual capabilities (English, Spanish, German, Japanese, Chinese, French, Czech)
- Super rigid structural steel frame
- Super rigid twin rail block type lift bearings
- One piece flame cut bridge (heaviest in class)
- Hydraulic lift / clamp force maximum 13,200 N (3000 lb) 38 L or 10 gallon reservoir
- Light curtain for single switch activation

- Optical zero force cycle start activation switches
- Interior work light
- Lean cell machine design

SPECIFICATIONS

- Table and maximum lower tool size 610 mm x 455 mm (24" x 18")*
- Door opening 660 mm high x 790 mm wide (20" x 14")
- Upper tool weight 9 kg - 25 kg (20 lb - 55 lb)
- Upper tool maximum size 510 mm x 355 mm (20" x 14")
- Low 965 mm (38") lift table height
- 500 mm (20") stroke, 630 mm (25") max. opening, min. tool height 140 mm (5.5")
- Small 1.2 m x 1.4 m (48" x 52") machine foot print
- Maximum dB rating tooling and application dependent

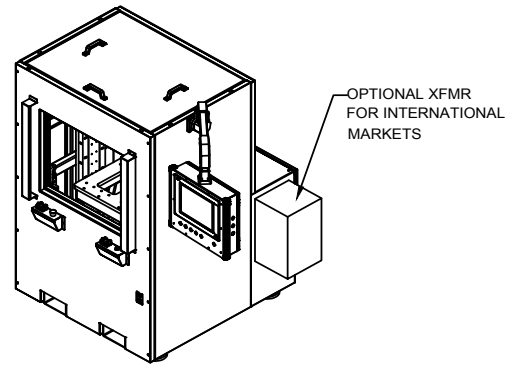
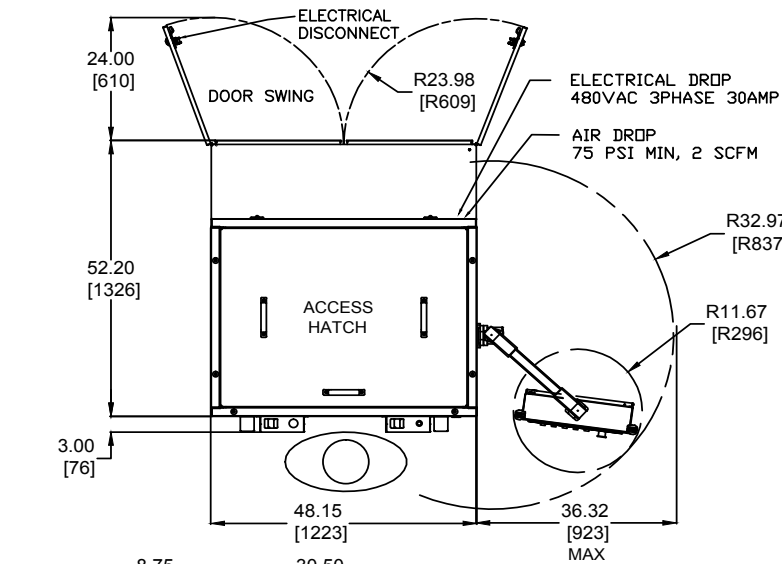
Options

- Position adjustable cycle activation switches
 - Exterior work light
 - Custom paint specification
 - Programmable pneumatic valves for clamps and slides
 - Programmable part-in-place sensing
- *Tooling can in some instances overhang the back of table by modest amount. Consult Dukane for more information.

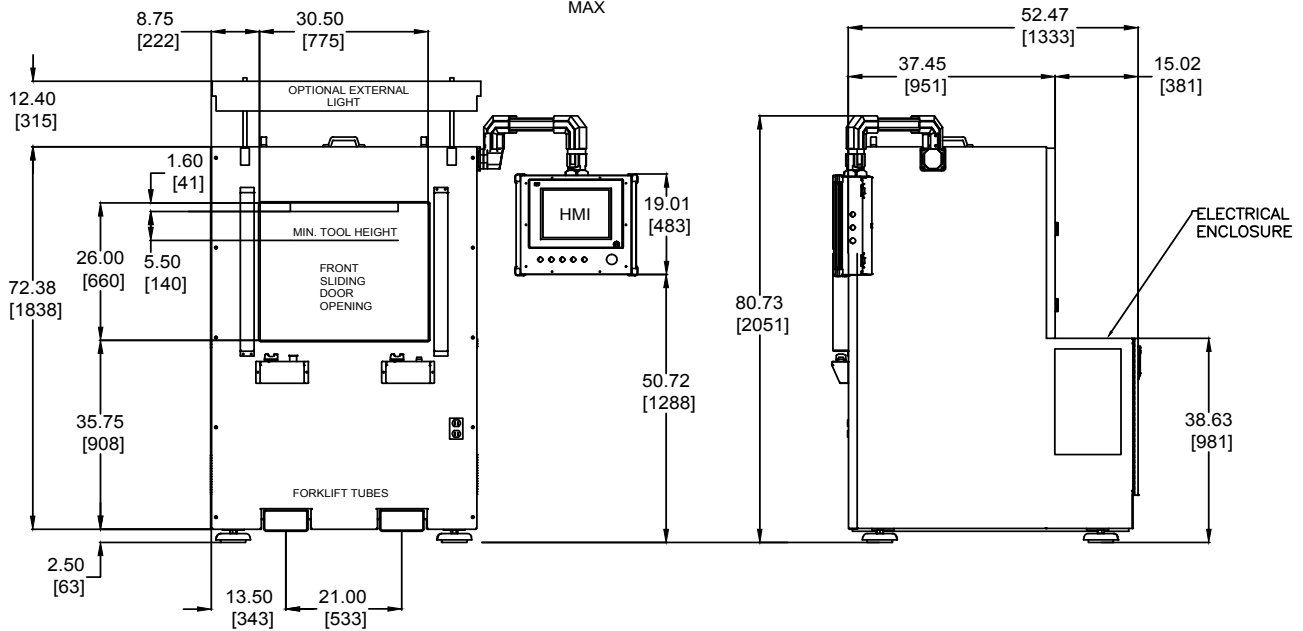
VW5300 Vibration Welder Dimensions

VW5300

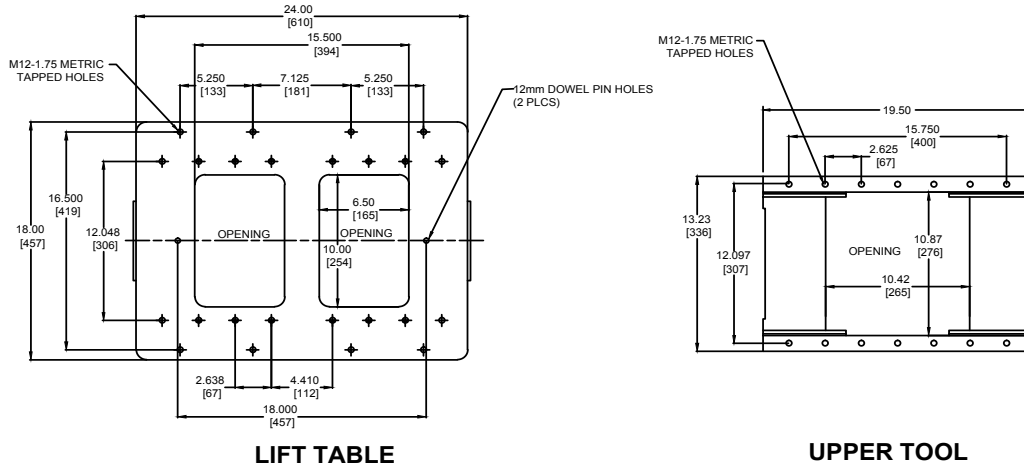
2046 kg (4500 lb)



WEIGHT: 2046 kg (4500 lb)



Fixture hole patterns and dimensions



Electric Service Required: 480 V, 3 phase, 30 amps (custom input voltage kits available)

Pneumatic Service Required: 5-6 bar (75 psi to 90 psi)

Approximate Shipping Weight 2046 kg, (4500 lb)

