

VW5700 Vibration Welder Table Size 1320 mm (52") by 610 mm (24")



FEATURES

- Electromechanical vibration head assembly (200-240 Hz)
- Patented Q Factor for comprehensive tool and machine diagnostics and preventive maintenance
- 15" touchscreen color HMI with remote I/O's
- Real time graphing of amplitude, force, and distance
- Intuitive and interactive comprehensive help menu
- Part parameter monitoring with programmable limits
- Weld by time or weld by distance
- Programmable amplitude 0.05 mm to 1.8 mm (0.020" to 0.070") p-p
- Programmable Amplitude and Pressure profile up to 5 steps
- Solid state 65 hp digital variable frequency drive
- Programming for up to 6 part in place sensors included (sensors not included)
- Programming for up to 6 pneumatic valves included (valves not included) with 6 extend & 6 retract sensors
- Programming for 2 vacuums (vacuum generator and valve not included)
- Programming for tool ID included. (adapter cable not included)
- Automatic tuning with auto ping mode
- Multilingual capabilities (English, Spanish, German, Japanese, Chinese, French, Czech)
- Structural tubular steel table (heaviest in class)
- Hydraulic lift / clamp force maximum 22,000 N, (5000 lb) 75.6 L (20 gallon) reservoir
- Light curtain for single switch activation

- Optical zero force cycle start activation switches
- Interior work light

SPECIFICATIONS

- Table and maximum lower tool size 1320 mm x 610 mm (52" x 24")*
- Door Opening 660 mm high x 1400 mm wide (26" x 55")
- Upper tool weight 40 kg - 68 kg (90 lb – 150 lb)
- Upper tool maximum size 510 mm x 1120 mm (20" x 44")
- Low 1040 mm (41") lift table height
- 500 mm (20") stroke, 630 mm (25") max. opening
- Small 1.3 m x 2.6 m (51" x 101") foot print
- Maximum dB rating tooling and application dependent

Options

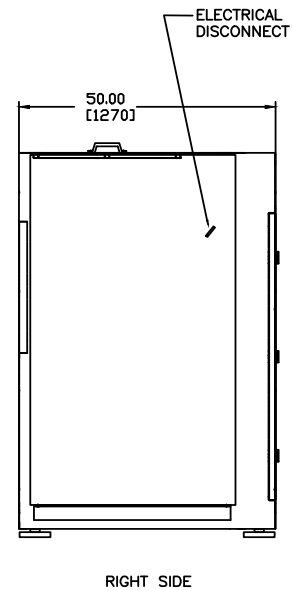
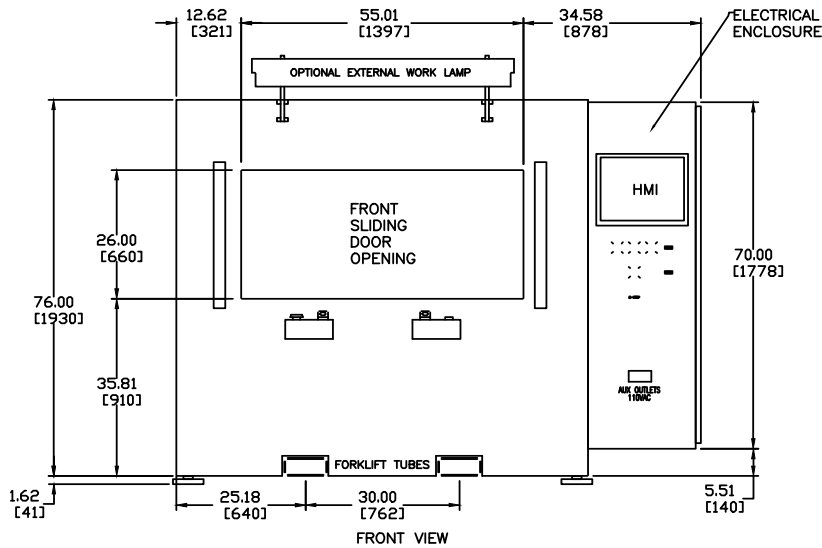
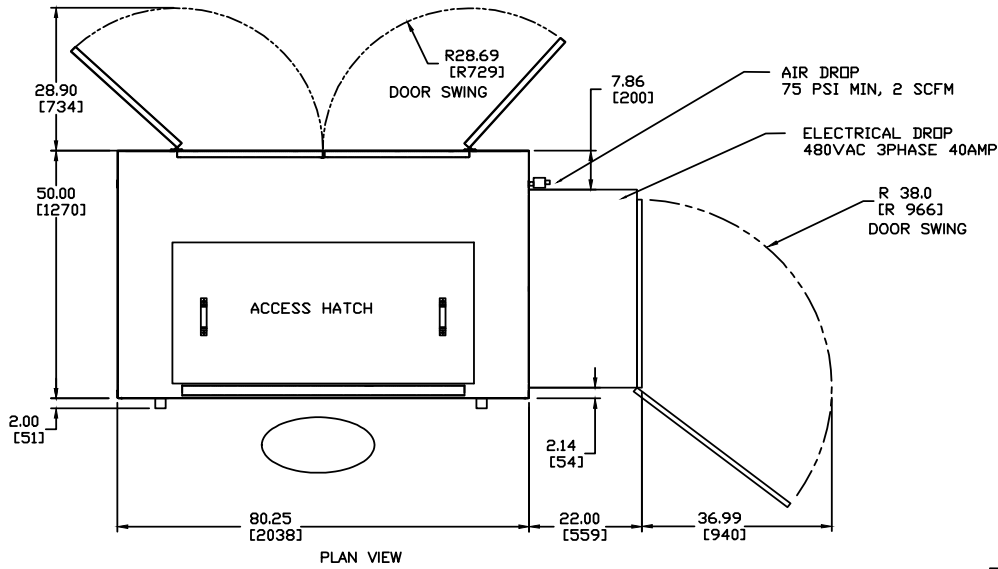
- Position adjustable cycle activation switches
- 12-Zone IR-Preheat machine and control upgrade. See IR-Preheat vibration welding datasheet for more information
- Servo lift table. See Servo vibrate welder datasheet for further information
- Exterior work light
- Custom paint specification
- Rear sliding door for pass through operation
- Programmable pneumatic valves for clamps and slides
- Programmable part-in-place sensing
- Custom lift table or custom frame can be quoted to allow for an uninterrupted bucket of greater depth.

* Tooling can in some instances overhang the back of table by modest amount. Consult Dukane for more information.

Vibration Welder Model VW5700 Floor Layout

VW5700

3175 kg (7000 lb)



Fixture hole patterns and dimensions

