

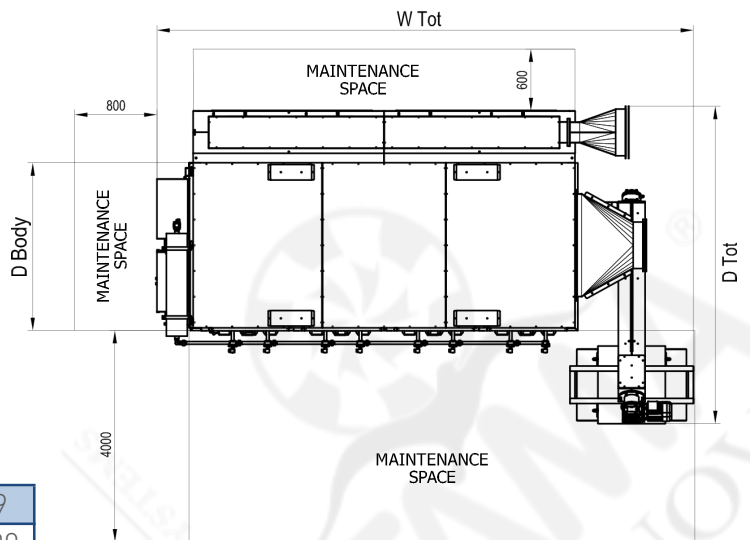
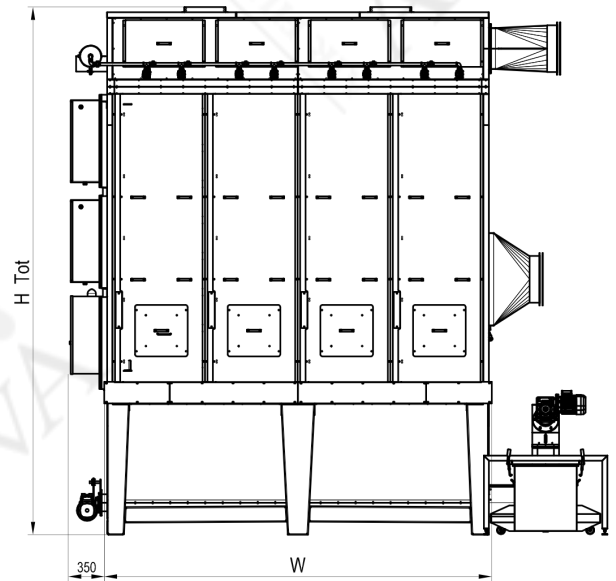
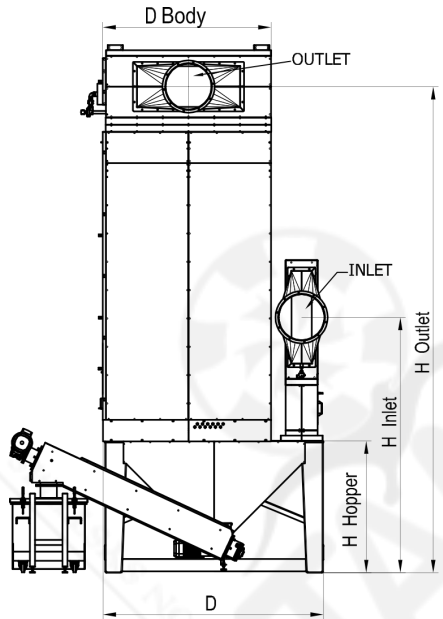
## Model HT ESP 08

Max energy consumption (per module)	kW/h	0,5
Air Flow (per module)	m3/h	800

Number of modules	n.	1	2	3	4
W	mm	900	1700	2500	3300
D	mm	1130			
D Tot	mm	1550			
H Body	mm	2350			
H Inlet/H Outlet - with drawer	mm	2475			
H Inlet/H Outlet - with screw conveyor	mm	3075			
Electrical Panel	mm	300			

H Hopper - with drawer	mm	400
H Hopper - with screw conveyor	mm	1000

H Tot - with drawer	mm	2750
H Tot - with screw conveyor	mm	3350



## Model HT ESP 24

Max energy consumption (per module)	kW/h	0,9
Air Flow (per module)	m <sup>3</sup> /h	2400

Number of modules	n.	1	2	3	4
W	mm	1000	1900	2800	3700
W Tot	mm	2500	3400	4300	5200
D	mm	2140			
D Body	mm	1600			
D Tot	mm	3100			
Inlet Ø	mm	300	315	400	450
H Inlet	mm	2477	2480	2480	2480
Outlet Ø	mm	300	315	400	450
H Outlet	mm	4722	4725	4725	4725
Electrical Panel	mm	300			

H Hopper	mm	1280
----------	----	------

H Tot	mm	5130
-------	----	------