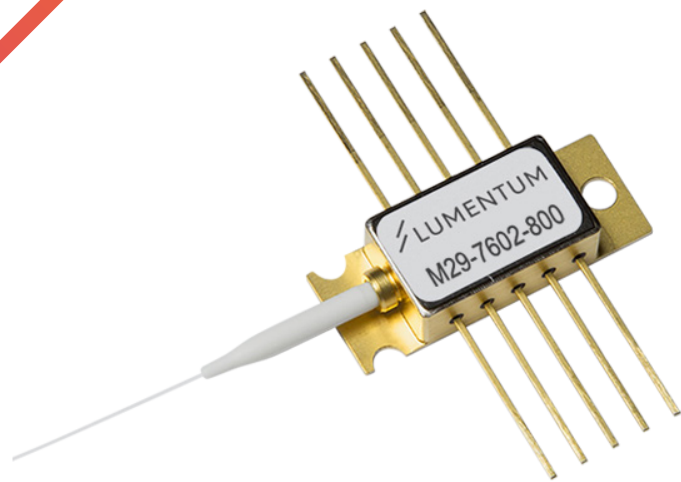


Up to 800 mW Fiber Bragg Grating Stabilized Mini-Butterfly 980 nm Pump Modules

M29 Series



The Lumentum M29 Series 980 nm mini-butterfly pump laser module uses a number of revolutionary design steps and the very latest material technologies to significantly improve scalability of the production process. The M29 Series pump module incorporates the high-reliability Lumentum 980 nm laser diode in a 45°C fiber Bragg grating-stabilized 10-pin butterfly module. This ‘semicooled’ laser diode operation provides for a significant reduction in TEC and overall power consumption. The module meets the stringent requirements of the telecommunications industry, including Telcordia GR-468-CORE for hermetic 980nm pump modules.

The M29 Series pump module, which uses fiber Bragg grating stabilization to lock the emission wavelength, provides a noise-free, narrowband spectrum, even under changes in temperature, drive current and optical feedback. Wavelength selection is available for applications requiring the highest performance in spectrum control with the highest power available.

Key Features

- Operating power range from 480 – 800 mW
- 45°C internal temperature, reduced TEC power consumption
- Low-profile 10-PIN small form factor (mini-butterfly) package
- Fiber Bragg grating stabilization
- Wavelength selection available
- Integrated thermoelectric cooler, thermistor, and monitor diode
- High dynamic range

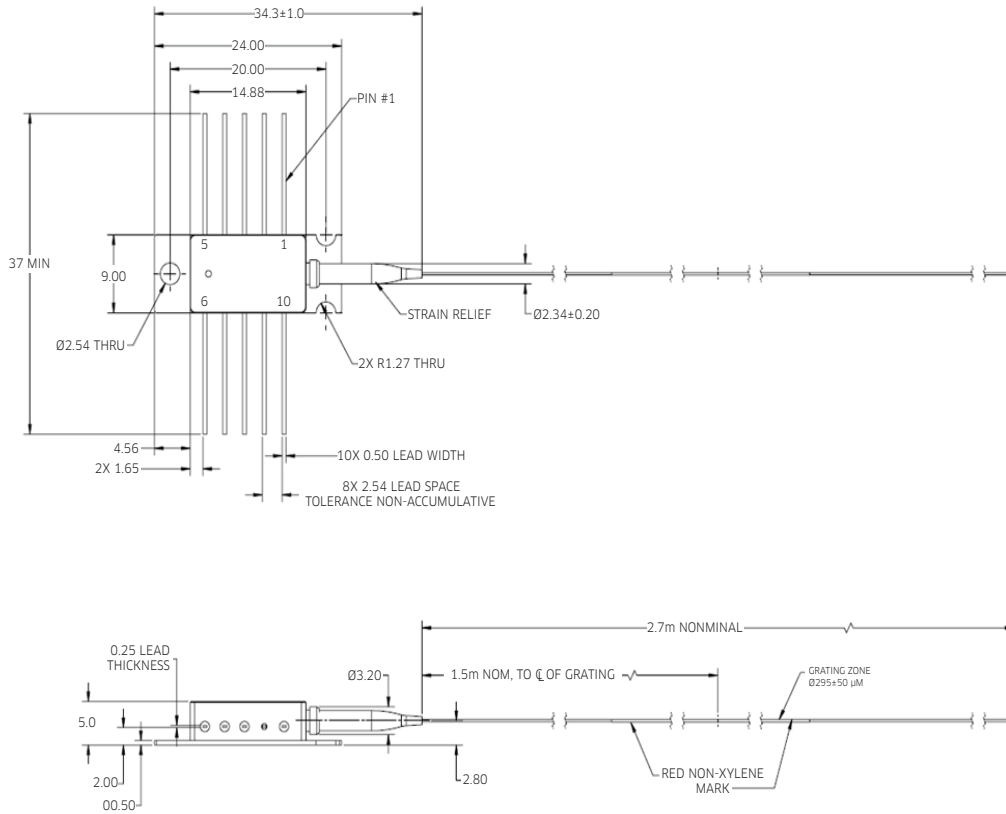
Applications

- Dense wavelength division multiplexing (DWDM) EDFAs for small package designs
- High bit-rate, high channel-count EDFAs
- CATV distribution

Compliance

- Telcordia GR-468-CORE

Dimensions Diagram



Pinout

| Pin | Description |
|-----|---------------------|
| 1 | TEC (+) |
| 2 | Thermistor |
| 3 | Monitor Anode (-) |
| 4 | Monitor Cathode (+) |
| 5 | Thermistor |
| 6 | Laser Anode (+) |
| 7 | Laser Cathode (-) |
| 8 | NC |
| 9 | Pkg ground |
| 10 | TEC (-) |

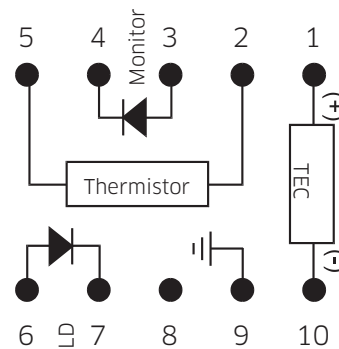


Table 1. Absolute Maximum Ratings

| Parameter | Symbol | Test Conditions | Minimum | Maximum |
|----------------------------------|-------------|--------------------------------------|---------|------------|
| Operating case temperature | T_{op} | | -5°C | 75°C |
| Storage temperature | T_{str} | 2000 hr | -40°C | 85°C |
| Laser operating temperature | T_{LD} | | 15°C | 60°C |
| LD reverse voltage | V_r | | | 2 V |
| LD forward current | $I_{r,max}$ | | | 1800 mA |
| LD current transient | | 20 μ s maximum | | 1900 mA |
| LD reverse current | | | | 10 μ A |
| PD reverse voltage | V_{PD} | | | 20 V |
| PD forward current | I_{PF} | | | 10 mA |
| LD electrostatic discharge (ESD) | V_{ESDLD} | C = 100 pF, R = 1.5 k Ω , HBM | | 1000 V |
| PD electrostatic discharge (ESD) | V_{ESDPD} | C = 100 pF, R = 1.5 k Ω , HBM | | 500 V |
| TEC current | I_{TEC} | | -1.2 A | 2 A |
| TEC voltage | V_{TEC} | | | 4.5 V |
| Axial pull force | | 3 x 10 s | | 5 N |
| Side pull force | | 3 x 10 s | | 2.5 N |
| Fiber bend radius | | | 16 mm | |
| Relative humidity | RH | Noncondensing | 5% | 95% |
| Lead soldering time | | 300°C | | 10 s |

Absolute maximum ratings are the maximum stresses that may be applied to the module for short periods of time without causing damage and are listed in Table 5. Stresses in excess of the absolute maximum ratings can cause permanent damage to the device. Exposure to absolute maximum ratings for extended periods of time or exposure to more than one absolute maximum rating simultaneously may adversely affect device reliability. Specifications may not necessarily be met under these conditions.

Table 2. Operating Parameters (BOL, $T_{case} = -5$ to 75°C, -50 dB reflection, unless otherwise noted.)

| Product Code | Maximum Operating Power P_{op} (mW) | Maximum Operating Current I_{op} (mA) | Minimum Kink-Free Power P_{max} (mW) | Maximum Kink-Free Current I_{max} (mA) |
|--------------|---------------------------------------|---|--|--|
| M29-xxxx-480 | 480 | 960 | 528 | 1050 |
| M29-xxxx-500 | 500 | 1000 | 550 | 1095 |
| M29-xxxx-520 | 520 | 1035 | 572 | 1135 |
| M29-xxxx-540 | 540 | 1065 | 594 | 1170 |
| M29-xxxx-560 | 560 | 1095 | 616 | 1205 |
| M29-xxxx-580 | 580 | 1125 | 638 | 1240 |
| M29-xxxx-600 | 600 | 1155 | 660 | 1275 |
| M29-xxxx-620 | 620 | 1195 | 682 | 1325 |
| M29-xxxx-640 | 640 | 1235 | 704 | 1375 |
| M29-xxxx-660 | 660 | 1275 | 726 | 1420 |
| M29-xxxx-680 | 680 | 1320 | 748 | 1475 |
| M29-xxxx-700 | 700 | 1365 | 770 | 1525 |
| M29-xxxx-720 | 720 | 1410 | 792 | 1575 |
| M29-xxxx-740 | 740 | 1455 | 814 | 1625 |
| M29-xxxx-760 | 760 | 1500 | 836 | 1665 |
| M29-xxxx-780 | 780 | 1545 | 858 | 1710 |
| M29-xxxx-800 | 800 | 1590 | 880 | 1745 |

The xxxx denotes the wavelength per the product code in Table 3.

Table 3. Available Peak Wavelength Selection

| Product Code | Minimum Center Wavelength | Maximum Center Wavelength |
|--------------|---------------------------|---------------------------|
| M29-7402-yyy | 973.0 nm | 975.0 nm |
| M29-7602-yyy | 975.0 nm | 977.0 nm |
| M29-8000-yyy | 973.0 nm | 981.5 nm |

The yyy denotes the power per the product code in Table 2.

Table 4. Electro-Optical Performance (BOL, $T_{case} = -5^{\circ}C$ to $75^{\circ}C$, $T_{LD} = 45^{\circ}C$, $P_f = 30mW$ to P_{op} , $-50dB$ reflection, unless otherwise noted)

| Parameter | Symbol | Test Conditions | Minimum | Maximum |
|---|-----------------------|--|----------------|----------------------|
| Threshold current | I_{th-BOL} | | | 100 mA |
| Forward voltage | V_f | $I_f = I_{op}$ | | 2.1 V |
| Fiber output power range | P_f | | 30 mW | P_{op} |
| Pump power in band | P_{pump} | Pump Band = $\lambda_m \pm 1.5$ nm, at P_{op} | 90% | |
| Spectral width | $\Delta\lambda_{RMS}$ | Over P_f Range | | 2.0 nm |
| Wavelength tuning vs. temperature | $\Delta\lambda/T$ | $I_f = I_{op}$ | | 0.01 nm/ $^{\circ}C$ |
| Optical power stability | $\Delta P_{f,t}$ | Over P_f range, DC to -50 kHz, 50 mW $-P_{op}$ | | 2.0% |
| Tracking ratio ¹ | TR | $0.1P_{op} < P_f < P_{op}$ | 0.6 | 1.40 |
| Tracking error ² | TE | P_{op} | -40% | 80% |
| Monitor diode response | I_{BF} | -5 V Bias, at P_{op} | 0.5 $\mu A/mW$ | 5 $\mu A/mW$ |
| LD temperature | T_{LD} | Nominal $T_{LD} = 45^{\circ}C$ | 44 $^{\circ}C$ | 46 $^{\circ}C$ |
| Thermistor resistance: M29-7402-yyy, M29-7602-yyy | R_{th} | $T_{set} = 45^{\circ}C$ | 9.5 k Ω | 10.5 k Ω |
| Thermistor resistance: M29-8000-yyy | R_{th} | $T_{set} = 45^{\circ}C$ | 9.0 k Ω | 11.5 k Ω |

- The tracking ratio is a measure of the front-to-back tracking when the output power is varied. On a plot of optical power versus back-face photocurrent, a straight line is drawn between the minimum power (30 mW) and the operating power (P_{op}) points. The tracking ratio is defined as the ratio between measured optical power (shown as data points on the plot) to the value derived from the straight line.
- The tracking error is defined as the normalized change of output power relative to P_f at $25^{\circ}C$, i.e., $(P_f - P_{f,25})/P_{f,25}$, over case temperature range $0^{\circ}C$ to $75^{\circ}C$, at constant back-face monitor current corresponding to lowest back-face monitor current at $P_f = P_{op}$ of $0^{\circ}C$, $25^{\circ}C$, $75^{\circ}C$.

Table 5. TEC and Total Module Power Consumption at $T_{LD} = 45^{\circ}C$ (BOL, $\Delta T = 30^{\circ}C$, $T_{case} = 75^{\circ}C$)

| Product Code | TEC Current I_{max} (A) | TEC Voltage V_{max} (V) | TEC Power Consumption P_{TEC} (W) | Total Module Power Consumption P_{max} (W) |
|--------------|---------------------------|---------------------------|-------------------------------------|--|
| M29-xxxx-480 | 0.66 | 1.84 | 1.21 | 2.78 |
| M29-xxxx-500 | 0.67 | 1.85 | 1.24 | 2.89 |
| M29-xxxx-520 | 0.68 | 1.87 | 1.28 | 3.00 |
| M29-xxxx-540 | 0.69 | 1.89 | 1.31 | 3.10 |
| M29-xxxx-560 | 0.70 | 1.92 | 1.35 | 3.20 |
| M29-xxxx-580 | 0.72 | 1.94 | 1.39 | 3.30 |
| M29-xxxx-600 | 0.73 | 1.96 | 1.42 | 3.41 |
| M29-xxxx-620 | 0.74 | 1.98 | 1.47 | 3.54 |
| M29-xxxx-640 | 0.75 | 2.00 | 1.51 | 3.66 |
| M29-xxxx-660 | 0.77 | 2.03 | 1.56 | 3.80 |
| M29-xxxx-680 | 0.78 | 2.06 | 1.62 | 3.95 |
| M29-xxxx-700 | 0.80 | 2.09 | 1.67 | 4.10 |
| M29-xxxx-720 | 0.82 | 2.11 | 1.72 | 4.26 |
| M29-xxxx-740 | 0.83 | 2.14 | 1.78 | 4.42 |
| M29-xxxx-760 | 0.85 | 2.17 | 1.84 | 4.59 |
| M29-xxxx-780 | 0.87 | 2.20 | 1.92 | 4.76 |
| M29-xxxx-800 | 0.89 | 2.24 | 1.98 | 4.94 |

Table 6. HI 1060 Fiber Nominal Characteristics and Tolerances

| Parameters | Specification |
|-------------------------------|---------------|
| Cutoff wavelength | 920 nm |
| Maximum attenuation at 980 nm | 2.1 dB/km |
| Cladding outside diameter | 125 ±1 μm |
| Coating outside diameter | 245 ±10 μm |
| Core-cladding concentricity | ≤0.5 μm |
| Mode field diameter | 5.9 ±0.3 μm |

User Safety

Safety and Operating Considerations

The laser light emitted from this laser diode is invisible and may be harmful to the human eye. Avoid looking directly into the fiber when the device is in operation.

CAUTION: THE USE OF OPTICAL INSTRUMENTS WITH THIS PRODUCT INCREASES EYE HAZARD.

Operating the laser diode outside of its maximum ratings may cause device failure or a safety hazard. Power supplies used with this component cannot exceed maximum peak optical power.

CW laser diodes may be damaged by excessive drive current or switching transients. When using power supplies, the laser diode should be connected with the main power on and the output voltage at zero. The current should be increased slowly while monitoring the laser diode output power and the drive current. Careful attention to heatsinking and proper mounting of this device is required to ensure specified performance over its operating life. To maximize thermal transfer to the heatsink, the heatsink mounting surface must be flat to within .001inch and the mounting screws must be torqued down to 1.5 in/lb.

ESD PROTECTION—Electrostatic discharge (ESD) is the primary cause of unexpected laser diode failure. Take extreme precaution to prevent ESD. Use wrist straps, grounded work surfaces, and rigorous antistatic techniques when handling laser diodes.

Labeling

Laser Safety

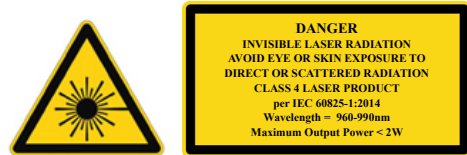
The Lumentum pump laser module emits hazardous invisible laser radiation. Due to the small size of the pump module, the box packaging is labeled with the laser radiation hazard symbol and safety warning labels shown below.



10-pin module label



Shipping box label

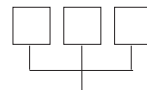
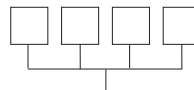


Output power and laser emission indicator label

Ordering Information

For more information on this or other products and their availability, please contact your local Lumentum account manager or Lumentum directly at customer.service@lumentum.com.

M29 -



| Peak Wavelength | Code |
|-------------------|------|
| 973.0 to 975.0 nm | 7402 |
| 975.0 to 977.0 nm | 7602 |
| 973.0 to 981.5 nm | 8000 |

| Maximum Operating Power | Code |
|-------------------------|------|
| 480 mW | 480 |
| 500 mW | 500 |
| 520 mW | 520 |
| 540 mW | 540 |
| 560 mW | 560 |
| 580 mW | 580 |
| 600 mW | 600 |
| 620 mW | 620 |
| 640 mW | 640 |
| 660 mW | 660 |
| 680 mW | 680 |
| 700 mW | 700 |
| 720 mW | 720 |
| 740 mW | 740 |
| 760 mW | 760 |
| 780 mW | 780 |
| 800 mW | 800 |



North America
Toll Free: 844 810 LITE (5483)

Outside North America
Toll Free: 800 000 LITE (5483)

China
Toll Free: 400 120 LITE (5483)

© 2021 Lumentum Operations LLC
Product specifications and descriptions in this document are subject to change without notice.