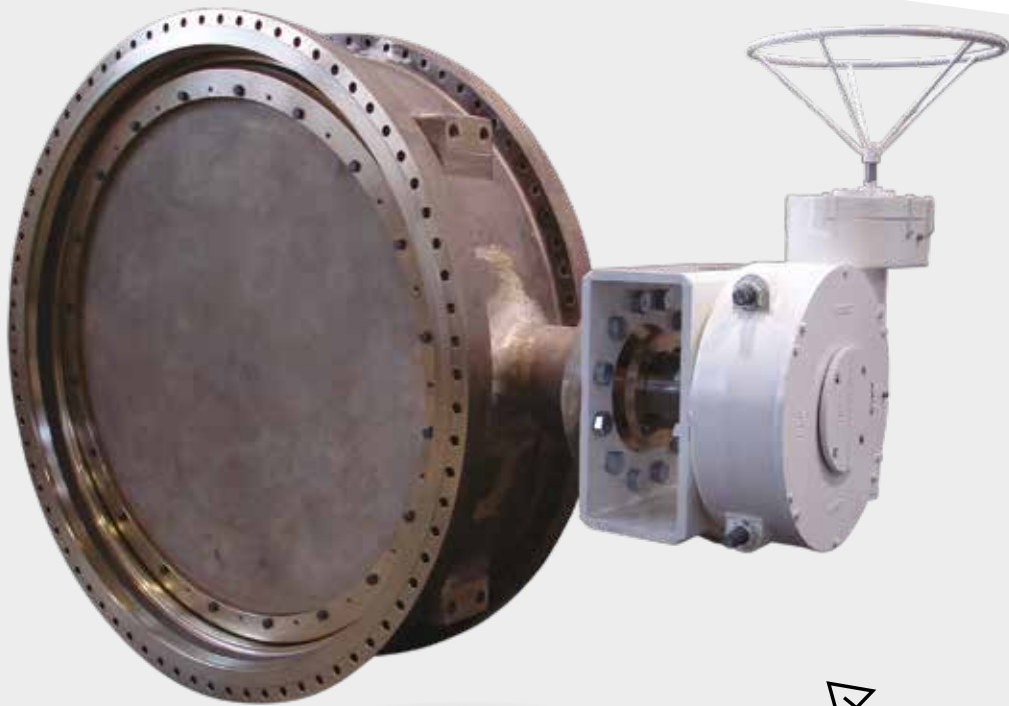



# VF Series



  
Engineering  
**GREAT** Solutions

**Double Eccentric Soft  
Seated Butterfly Valves**

# Double Eccentric Soft Seated Butterfly Valves

Our VF Series valves are specified worldwide for their unique combination of shut-off, control and reliability features, together with their compactness and fitness for purpose in critical tight shut-off isolation duties and combined isolation / non-return applications.

## Key features

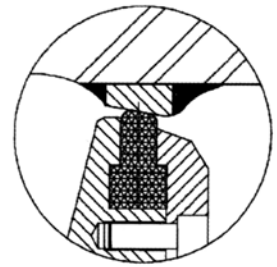
- > Double eccentric
- > Zero leakage, bi-directional tight shut-off
- > Uninterrupted seating
- > Interchangeable and adjustable seal ring
- > Disc mounted rubber seal ring
- > Self-cleaning seat
- > Shaft protected from aggressive media
- > Welded, bolted or integral seat
- > Self-lubricating bearings
- > Corrosion resistant shaft bushing
- > Adjustable and replaceable packing
- > Rubber vulcanized or epoxy lined body

## Benefits

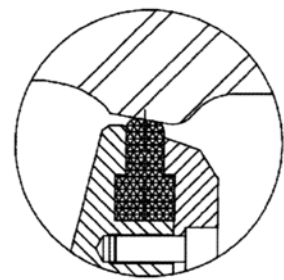
The VF Series design is based on the double eccentric concept which minimizes the contact between seal and seat and thereby enhances the valve performance, reduces maintenance and extends the valve life. These features make the VF Series ideally suited to medium to large size pipeline valves where maintenance costs and cost of ownership need to be kept to a minimum.

- > One-piece cast or fabricated body
  - Ultimate rigidity
  - Leak free performance
  - Uninterrupted flange sealing surface
- > Conical centred seat (all types)
  - Corrosion resistant to effects of pipeline media
- > Heavy 'T' section seal ring
  - Allows for full tight shut-off at pressures up to 25 bar
  - Adjustable compression allows for sealing at differing pressure values
- > Hydro-dynamically efficient disc
  - Improves flow capability
  - Reduces pressure drop and dynamic torque
- > Special bushings prevent contamination entering or solid particles, creating a longer service life

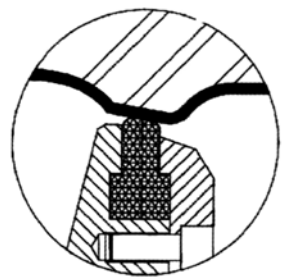
*Engineered for superior performance*



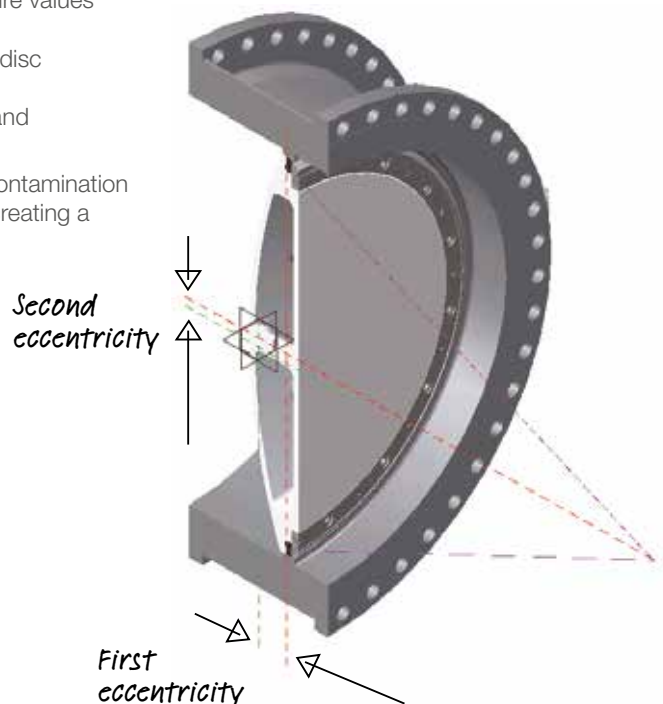
Welded body seat



Integral body seat



Rubber vulcanized body seat



## Typical applications

- > Water transportation
- > Sea water
- > Geothermal water
- > Fire fighting
- > Brine
- > Desalination plant
- > Demineralisation of water

Full valve selection  
available on our website  
[www.IMI-Critical.com](http://www.IMI-Critical.com)

## Product specification and dimensions

### Materials

Ductile iron  
Carbon steel  
Stainless steel  
Aluminium bronze  
High alloy  
Titanium

### Production range

Nominal diameter 2" – 160" (4000mm)

### Temperature limits

From -20°C (-4°F) up to +150°C (+302°F)

### Pressure limits

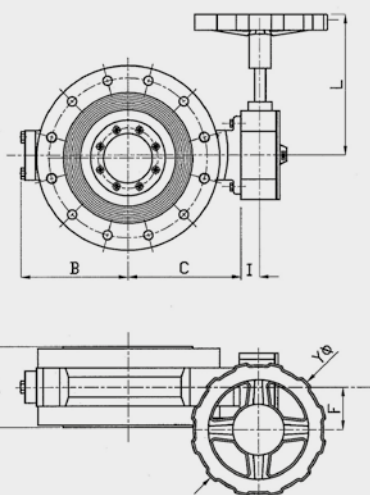
From full vacuum – up to +25 bar (355 psi)

### Applicable standards

Design: ANSI B16.34 / ASME VIII / API 609  
Face to face: API 609 / ISO 5752  
Double flanged connection: B16.5/ B16.47/  
ASME VIII/ DIN/ ISO/ AWWA  
Testing: API 598

### Rating

NP 6-10 - 16-25  
ANSI Cl.150



### Other body styles available

Double flanged  
Wafer  
Lugged

### Model VFF: Double Flanged (Class 150) dimensions

ND (mm)	ND (inches)	Face to face (mm)	Other dimensions (mm)						Weight (Kg)
			A1	B	C	L	I	Y	
80	3"	114	130	141	200	43	200	68	27
100	4"	127	142	154	200	43	200	68	31
125	5"	140	161	165	200	43	200	68	40
150	6"	140	173	177	200	43	200	68	49
200	8"	152	214	202	200	43	200	68	75
250	10"	165	248	260	200	43	200	68	106
300	12"	178	283	295	230	50	300	99	138
350	14"	190	314	322	230	50	300	99	182
400	16"	216	360	383	330	48	500	88	230
450	18"	222	394	414	440	55	600	104	287
500	20"	229	436	452	440	55	600	104	362
600	24"	267	504	513	430	59	600	104	510
700	28"	292	573	582	482	65	600	155	730
750	30"	318	630	662	482	65	600	155	846
800	32"	318	658	690	517	80	600	217	970
900	36"	330	740	764	529	80	600	217	1205
1000	40"	410	790	810	603	96	700	293	1543
1050	42"	410	820	835	603	96	700	293	1708
1200	48"	470	910	933	603	96	700	293	2281
1300	52"	530	970	1000	603	96	700	293	2717
1400	56"	530	1025	1047	603	96	700	320	3196
1500	60"	600	1070	1098	950	130	700	440	3721
1600	64"	600	1120	1152	990	130	700	440	4293
1700	68"	670	1180	1212	990	130	700	440	4913
1800	72"	670	1250	1281	990	130	700	440	5582
1900	76"	760	1310	1349	990	130	700	440	6303
2000	80"	760	1370	1408	990	130	700	440	7075

\*ND = Nominal diameter

**IMI Orton**

Orton S.r.l.  
Via dei Bazachi 50  
29121  
Piacenza  
Italy

Tel: +39 0523 762 511  
Fax: +39 0523 762 512

[imiorton.sales@imi-critical.com](mailto:imiorton.sales@imi-critical.com)

**IMI Critical Engineering**

Lakeside, Solihull Parkway  
Birmingham Business Park  
Birmingham B37 7XZ  
United Kingdom

Tel: +44 (0)121 717 3700  
Fax: +44 (0)121 717 3701

[www.imi-critical.com](http://www.imi-critical.com)